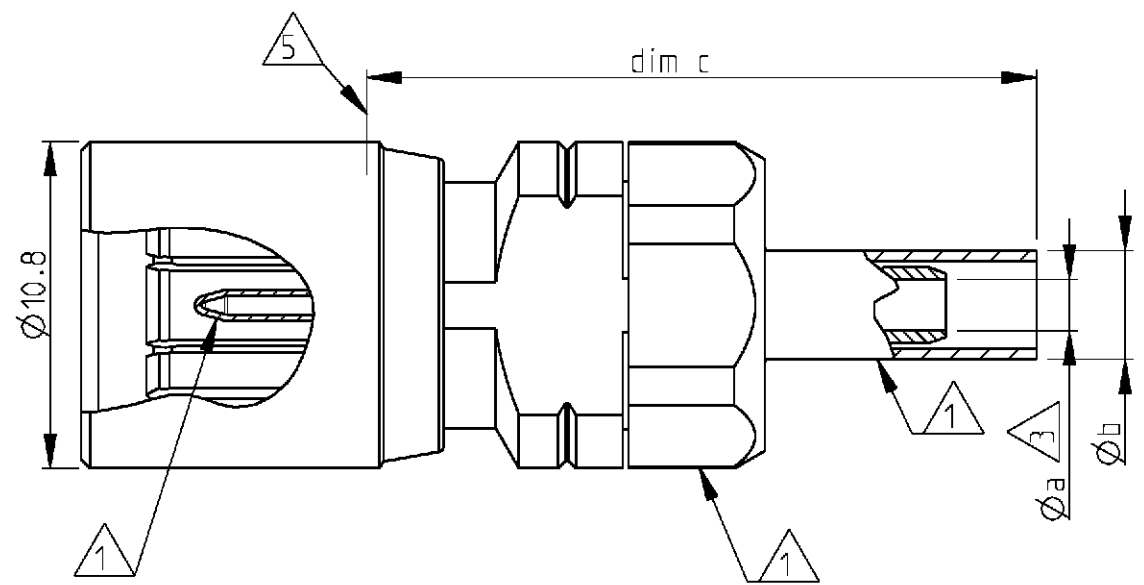


THIS DRAWING IS UNPUBLISHED. RELEASED FOR PUBLICATION 2000
 © COPYRIGHT 2000 BY TYCO ELECTRONICS CORPORATION. ALL RIGHTS RESERVED.

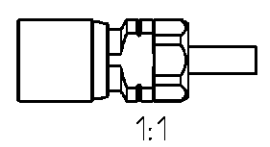
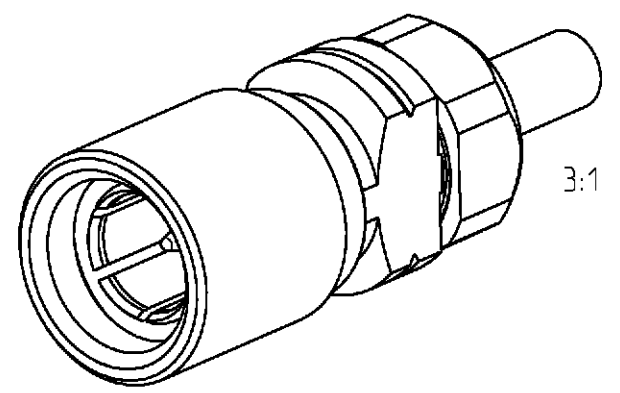
LOC	DIST	REVISIONS				
P	LTR	DESCRIPTION	DATE	DWN	APVD	
GW	-					
	A	-	05APR2001	BL	KM	
	-	-	-	-	-	



Cross reference table

Old part number	Tyco part number	Description	Material	Plating	Øa	Øb	dim c	Cable type
V23612-A102-A45	1393680-3	Outer conductor	Brass	1 µm Au min in contact area	2.55	6.2	26.2	02YCCY 0.4/2.5 LYC(MS)CY 0.4/2.5
		Center conductor	CuBe/Brass	1 µm Au min in contact area				
		Dielectric	PTFE/PEEK	-				
V23612-A102-A46	1393680-4	Outer conductor	Brass	1 µm Au min in contact area	2.9	7.93	29.2	2YC(MS)CY 0.5/3.0
		Center conductor	CuBe/Brass	1 µm Au min in contact area				
		Dielectric	PTFE/PEEK	-				
V23612-A102-A49	1393680-5	Outer conductor	Brass	1 µm Au min in contact area	4.3	7.93	29.2	2YCY 0.7/4.4
		Center conductor	CuBe/Brass	1 µm Au min in contact area				
		Dielectric	PTFE/PEEK	-				
V23612-A102-A76	1393680-9	Outer conductor	Brass	1 µm Au min in contact area	2.15	5.2	26.2	02Y(ST) CY 0.45/2.0
		Center conductor	CuBe/Brass	1 µm Au min in contact area				
		Dielectric	PTFE/PEEK	-				
V23612-A102-A76A	1-1393680-0	Outer conductor	Brass	1 µm Au min in contact area	2.15	5.2	26.2	02Y(ST) CY 0.45/2.0
		Center conductor	CuBe/Brass	1 µm Au min in contact area				
		Dielectric	PTFE/PEEK	-				
V23612-E102-A76	4-1393680-5	Outer conductor	Brass	1 µm Au min in contact area	2.15	5.2	26.2	02Y(ST) CY 0.45/2.0
		Center conductor	CuBe/Brass	1 µm Au min in contact area				
		Dielectric	PTFE/PEEK	-				

- △6 Packed in tray
- △5 Reference plane.
- 4) Mating face according to DIN 47295/CECC 22240.
- △3 Minimum dimension.
- 2) All dimensions are maximum unless otherwise specified.
- △1 Supplied as loose part.




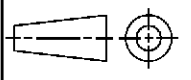
THIS DRAWING IS A CONTROLLED DOCUMENT FOR TYCO ELECTRONICS CORPORATION. IT IS SUBJECT TO CHANGE AND THE CONTROLLING ENGINEERING ORGANIZATION SHOULD BE CONTACTED FOR THE LATEST REVISION.

DIMENSIONS: mm	TOLERANCES UNLESS OTHERWISE SPECIFIED:	DWN B. Lenvain 27FEB2001	Tyco Electronics Oostkamp - Belgium
	0 PLC ± 1 PLC ± 2 PLC ± 3 PLC ± 4 PLC ± ANGLES ±	CHK K. Mattheeuws 5APR2001	
		APVD R. Leeman 5APR2001	
MATERIAL -	FINISH -	PRODUCT SPEC -	NAME Cable plug 1.6/5.6 75 OHM
		APPLICATION SPEC 114-71019	SIZE A3
		WEIGHT -	CAGE CODE 00779
		CUSTOMER DRAWING	DRAWING NO C-1393680-2
		SCALE 5/1	RESTRICTED TO -
		SHEET 1 OF 2	REV A

THIS DRAWING IS UNPUBLISHED. RELEASED FOR PUBLICATION 2000
 © COPYRIGHT 2000 BY TYCO ELECTRONICS CORPORATION. ALL RIGHTS RESERVED.

LOC	DIST	REVISIONS			
P	LTR	DESCRIPTION	DATE	DWN	APVD
	-	SEE SHEET 1	-	-	-

Cross reference table								
Old part number	Tyco part number	Description	Material	Plating	Øa	Øb	dim c	Cable type
V23612-A102-A24	1393680-1	Outer conductor	Brass	1 µm Au min in contact area	2.15	5.2	26.2	R1-T1 2.0 LI 75k
		Center conductor	CuBe/Brass	1 µm Au min in contact area				
		Dielectric	PTFE/PEEK	-				
V23612-A102-A41	1393680-2	Outer conductor	Brass	1 µm Au min in contact area	1.7	3.6	26.2	RG 179 B/U
		Center conductor	CuBe/Brass	1 µm Au min in contact area				
		Dielectric	PTFE/PEEK	-				

<small>THIS DRAWING IS A CONTROLLED DOCUMENT FOR TYCO ELECTRONICS CORPORATION. IT IS SUBJECT TO CHANGE AND THE CONTROLLING ENGINEERING ORGANIZATION SHOULD BE CONTACTED FOR THE LATEST REVISION.</small>		DWN B. Lenvain 27FEB2001 CHK K. Mattheeuws 5APR2001 APVD R. Leeman 5APR2001		 Tyco Electronics Oostkamp - Belgium	
DIMENSIONS: mm 		TOLERANCES UNLESS OTHERWISE SPECIFIED: 0 PLC ± 1 PLC ±0.5 2 PLC ±0.13 3 PLC ±0.013 4 PLC ±0.0001 ANGLES ±		NAME Cable plug 1.6/5.6 75 Ohm	
MATERIAL - FINISH -		PRODUCT SPEC - APPLICATION SPEC - WEIGHT -		SIZE A3 CAGE CODE 00779 DRAWING NO. ©-1393680-2 RESTRICTED TO -	
				SCALE 5/1 SHEET 2 OF 2 REV A	