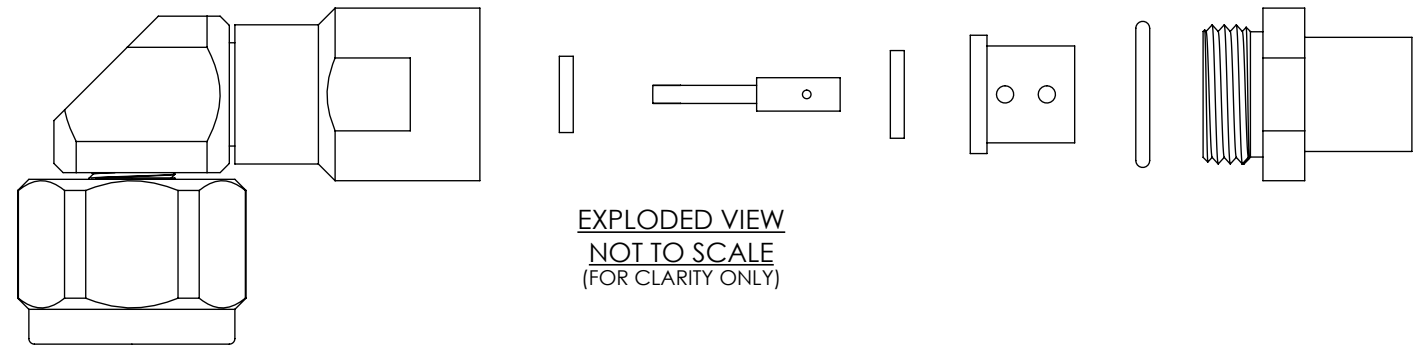
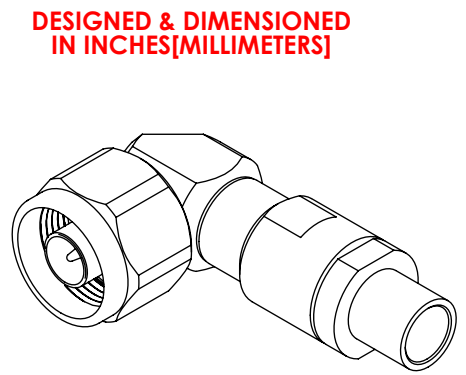
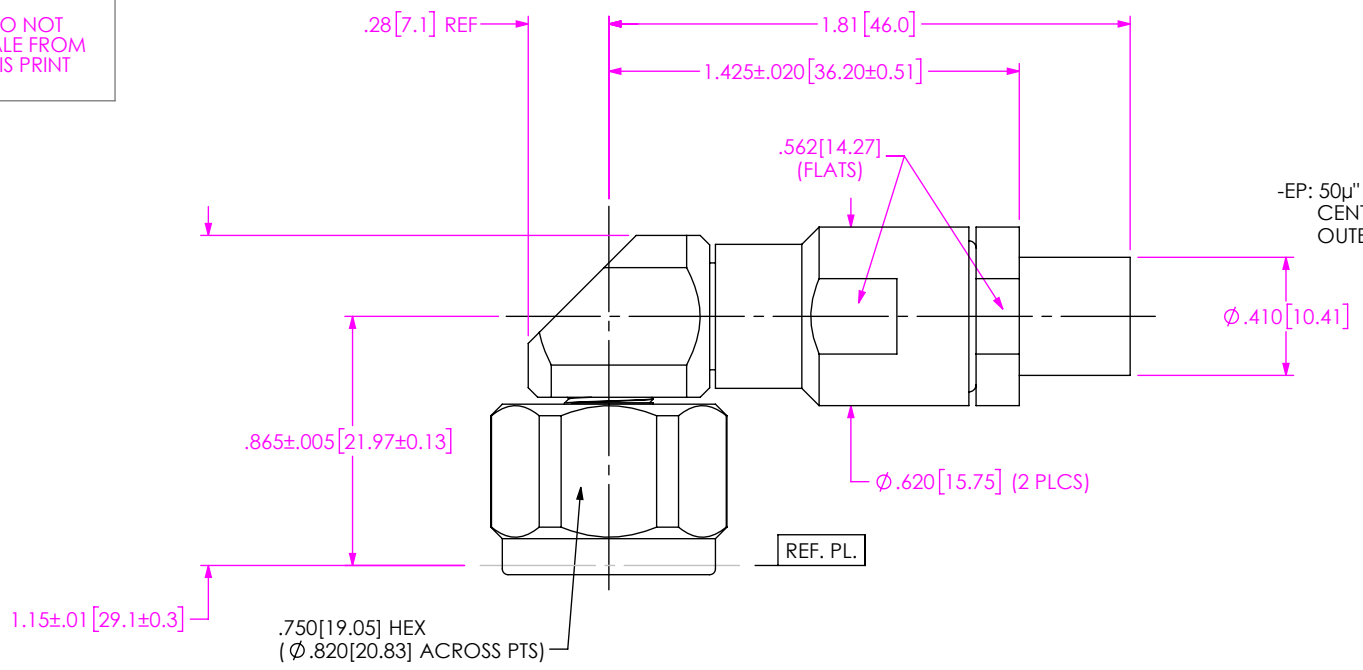


DO NOT SCALE FROM THIS PRINT

PRF06-P-C-EP-290-RS

SERIES -06: NTPE  
 GENDER -P: PLUG  
 TYPE -C: CABLE  
 FINISH -EP: 50µ" EXTRA HEAVY GOLD CENTER CONTACT, PASSIVATED OUTER CONTACT  
 TERMINATION -S: SOLDER CLAMP  
 ORIENTATION -R: RIGHT ANGLE  
 CABLE TYPE -290: SEMFLEX LA290



EXPLODED VIEW  
 NOT TO SCALE  
 (FOR CLARITY ONLY)

NOTES:

- MATERIAL:  
 BODIES, COUPLING NUT, CLAMP NUT: STAINLESS STEEL  
 CONTACTS: BERYLLIUM COPPER  
 SOLDER FERRULE: BRASS ALLOY  
 INSULATORS: PTFE  
 BEADS: PEI  
 GASKET, O-RING: SILICONE RUBBER
- FINISH:  
 BODIES, COUPLING NUT, CLAMP NUT: PASSIVATED  
 CONTACTS, SOLDER FERRULE: 50µ" MIN. GOLD OVER 50µ" MIN. NICKEL PLATE
- PCI P/N: 3288

UNLESS OTHERWISE SPECIFIED, DIMENSIONS ARE IN INCHES.  
 TOLERANCES ARE:  
 DECIMALS ANGLES  
 .XX: ±.02[0.5] 1°  
 .XXX: ±.005[0.13]  
 .XXXX: ±.0005[0.013]

**PROPRIETARY NOTE**  
 THIS DOCUMENT CONTAINS CONFIDENTIAL AND PROPRIETARY INFORMATION AND ALL DESIGN, MANUFACTURING, REPRODUCTION, USE, PATENT RIGHTS AND SALES RIGHTS ARE EXPRESSLY RESERVED BY SAMTEC, INC. THIS DOCUMENT SHALL NOT BE DISCLOSED, IN WHOLE OR PART, TO ANY UNAUTHORIZED PERSON OR ENTITY NOR REPRODUCED, TRANSFERRED OR INCORPORATED IN ANY OTHER PROJECT IN ANY MANNER WITHOUT THE EXPRESS WRITTEN CONSENT OF SAMTEC, INC.



520 PARK EAST BLVD, NEW ALBANY, IN 47150  
 PHONE: 812-944-6733 FAX: 812-948-5047  
 e-Mail info@SAMTEC.com code 55322

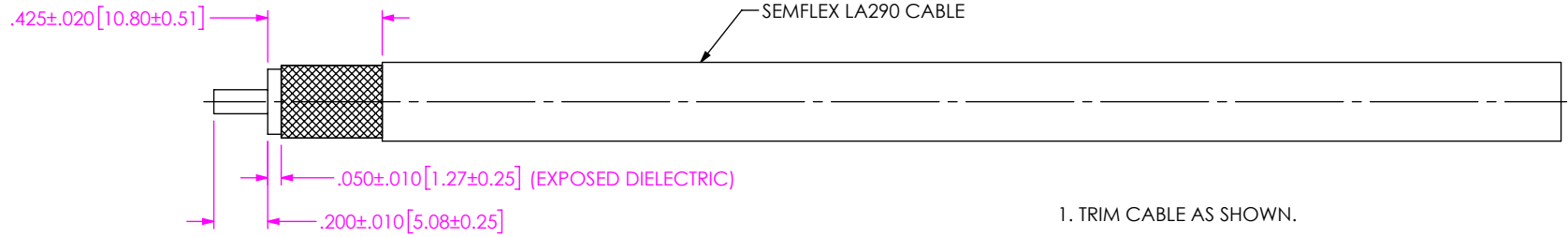
DO NOT SCALE DRAWING SHEET SCALE: 1.5:1

DESCRIPTION: TYPE N RA PLUG, SOLDER CLAMP FOR SEMFLEX LA290 CABLE

DWG. NO. PRF06-P-C-EP-290-RS

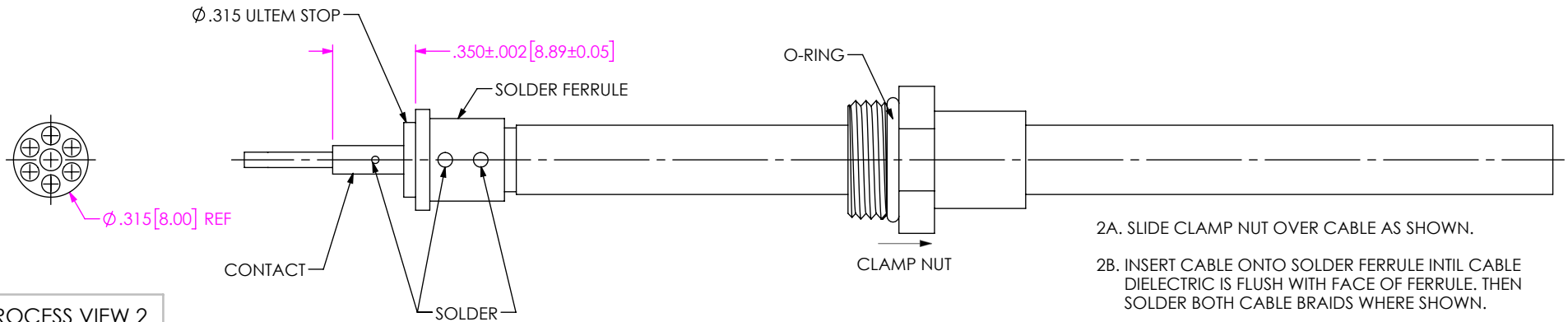
BY: SHERRY W 12/30/2019 SHEET 1 OF 3

# CABLE APPLICATION VIEWS



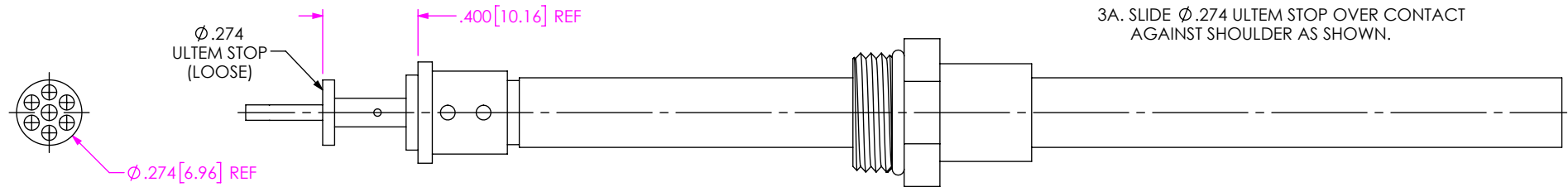
IN-PROCESS VIEW 1

1. TRIM CABLE AS SHOWN.



IN-PROCESS VIEW 2

- 2A. SLIDE CLAMP NUT OVER CABLE AS SHOWN.
- 2B. INSERT CABLE ONTO SOLDER FERRULE UNTIL CABLE DIELECTRIC IS FLUSH WITH FACE OF FERRULE. THEN SOLDER BOTH CABLE BRAIDS WHERE SHOWN.
- 2C. SLIDE Ø.315 ULTEM STOP OVER CABLE CENTER CONDUCTOR AND SOLDER CONTACT FLUSH AGAINST STOP TO DIMENSION SHOWN.



IN-PROCESS VIEW 3

- 3A. SLIDE Ø.274 ULTEM STOP OVER CONTACT AGAINST SHOULDER AS SHOWN.

**PROPRIETARY NOTE**  
 THIS DOCUMENT CONTAINS CONFIDENTIAL AND PROPRIETARY INFORMATION AND ALL DESIGN, MANUFACTURING, REPRODUCTION, USE, PATENT RIGHTS AND SALES RIGHTS ARE EXPRESSLY RESERVED BY SAMTEC, INC. THIS DOCUMENT SHALL NOT BE DISCLOSED, IN WHOLE OR PART, TO ANY UNAUTHORIZED PERSON OR ENTITY NOR REPRODUCED, TRANSFERRED OR INCORPORATED IN ANY OTHER PROJECT IN ANY MANNER WITHOUT THE EXPRESS WRITTEN CONSENT OF SAMTEC, INC.



520 PARK EAST BLVD, NEW ALBANY, IN 47150  
 PHONE: 812-944-6733 FAX: 812-948-5047  
 e-Mail info@SAMTEC.com code 55322

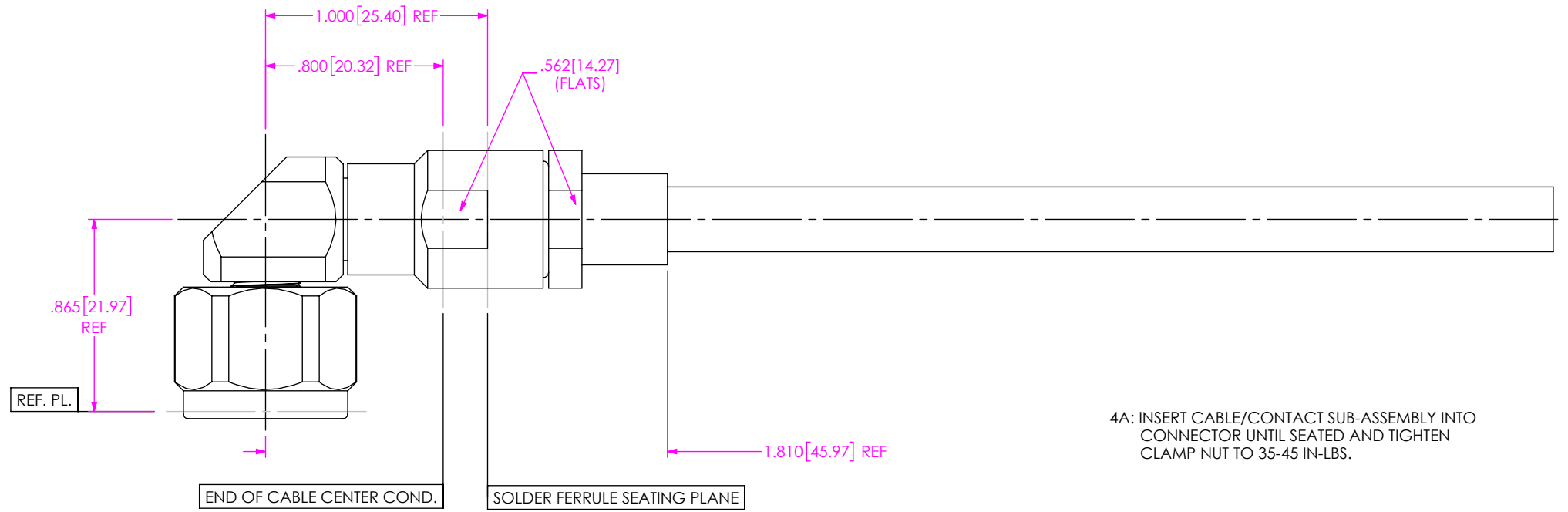
DO NOT SCALE DRAWING

SHEET SCALE: 1.5:1

DESCRIPTION: TYPE N RA PLUG, SOLDER CLAMP FOR SEMIFLEX LA290 CABLE

DWG. NO. PRF06-P-C-EP-290-RS

BY: SHERRY W 12/30/2019 SHEET 2 OF 3



IN-PROCESS VIEW 4

**PROPRIETARY NOTE**  
 THIS DOCUMENT CONTAINS CONFIDENTIAL AND PROPRIETARY INFORMATION AND ALL DESIGN, MANUFACTURING, REPRODUCTION, USE, PATENT RIGHTS AND SALES RIGHTS ARE EXPRESSLY RESERVED BY SAMTEC, INC. THIS DOCUMENT SHALL NOT BE DISCLOSED, IN WHOLE OR PART, TO ANY UNAUTHORIZED PERSON OR ENTITY NOR REPRODUCED, TRANSFERRED OR INCORPORATED IN ANY OTHER PROJECT IN ANY MANNER WITHOUT THE EXPRESS WRITTEN CONSENT OF SAMTEC, INC.



520 PARK EAST BLVD, NEW ALBANY, IN 47150  
 PHONE: 812-944-6733 FAX: 812-948-5047  
 e-Mail info@SAMTEC.com code 55322

DO NOT SCALE DRAWING  
 SHEET SCALE: 1.5:1

DESCRIPTION: TYPE N RA PLUG, SOLDER CLAMP FOR SEMFELX LA290 CABLE

DWG. NO. PRF06-P-C-EP-290-RS

BY: SHERRY W 12/30/2019 SHEET 3 OF 3