

## Rack and Panel Connectors

Military, MIL-C-28748/7/8 Qualified and Commercial  
Microminiature Rectangular with Optional Hoods



### FEATURES

- Qualified to MIL-C-28748/7/8
- Solder cup contacts
- Dip solder contacts
- Fixed and turnable screwlocks
- Optional closed entry socket contacts

### APPLICATIONS

Especially suited for use in airborne, instrumentation and portable equipment applications or wherever the following requirements must be met: Minimum space and weight without sacrifice of performance, high quality materials, long service life, high vibration and shock resistance and positive locking.

### ELECTRICAL SPECIFICATIONS

**Current Rating:** Model MM22 = 5 amps

Model MM24 = 3 amps

**Breakdown Voltage:** At sea level: 2000 V RMS

At 70 000 feet: 500 V RMS

### MATERIAL SPECIFICATIONS

**Contact Pin:** Phosphor bronze

**Contact Socket:** Phosphor bronze (Beryllium copper available on request)

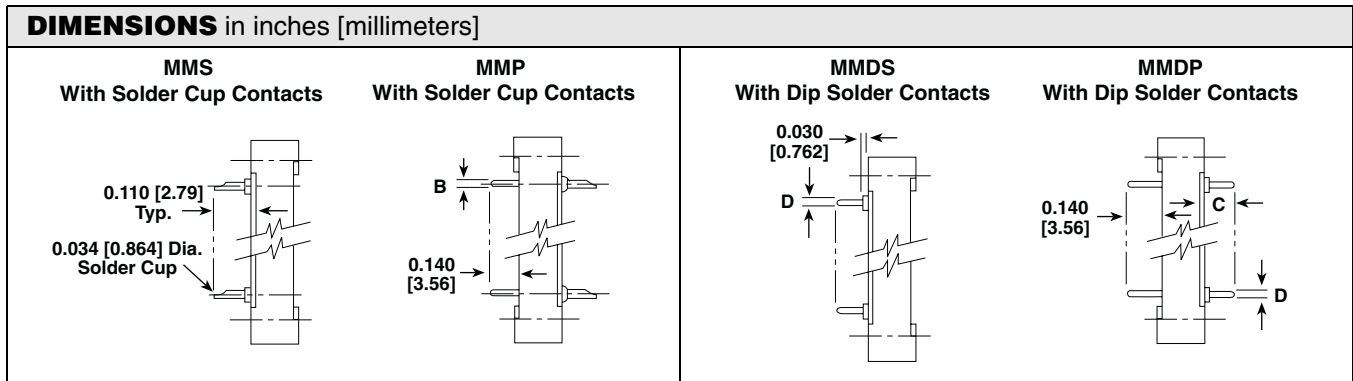
**Contact Plating:** Gold

**Screwlocks:** Stainless steel, passivated

**Guides:** Brass, gold plated or stainless steel, passivated

**Standard Body:** Glass-filled diallyl phthalate per MIL-M-14, Model SDG-F, green

### DIMENSIONS in inches [millimeters]



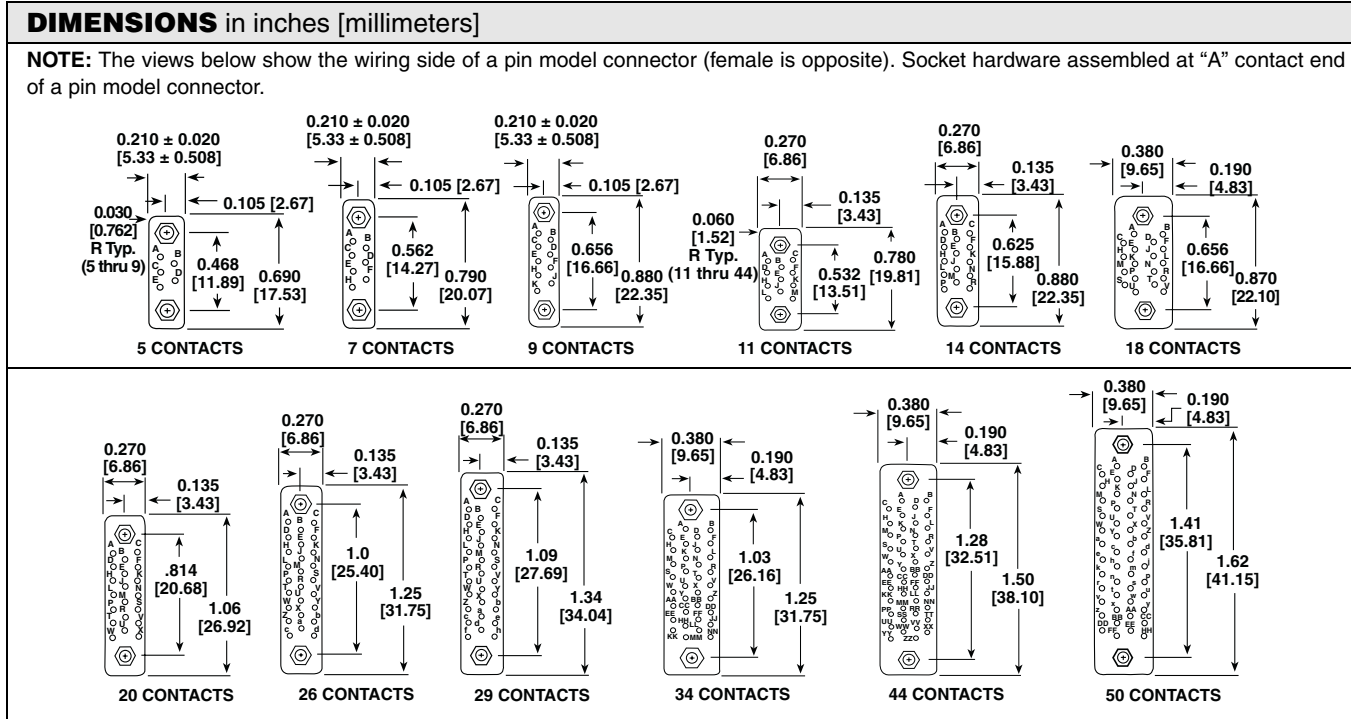


Rack and Panel Connectors  
 Military, MIL-C-28748/7/8 Qualified and Commercial  
 Microminiature Rectangular with Optional Hoods

DIMENSIONS in inches [millimeters]				
CONTACT GAUGE	B DIAMETER	CONTACT GAUGE	C DIP TAIL LENGTH	D DIAMETER
22 AWG	0.030 ± 0.001 [0.762 ± 0.025]	22 AWG	0.160 or 0.350 [4.06 or 8.89] Nom.	0.025 [0.635]
24 AWG	0.025 ± 0.001 [0.635 ± 0.025]	24 AWG	0.160 or 0.350 [4.06 or 8.89] Nom.	0.025 [0.635]

DIMENSIONS in inches [millimeters]				
MMS With Fixed (026, 027) Guides	MMP With Fixed (026, 027) Guides	HARDWARE TYPE	E DIAMETER	F DIAMETER
<p>0.230 [5.84] 2-56 UNC-2A Thread Typ. 0.110 [2.79] 0.034 [0.864] Dia. Solder Cup #22 or #24 AWG Max. 0.520 [13.21] 0.140 [3.56] 0.030 [0.762] Wide x 0.040 [1.02] Deep Slot Typ. F Dia.</p>	<p>0.230 [5.84] "A" End of Connector 0.140 [3.56] E Dia. 0.490 [12.45] 0.140 [3.56]</p>	026	0.078 [1.98]	0.125 [3.17]
		026L	0.078 [1.98]	0.125 [3.17]
		027	0.078 [1.98]	0.125 [3.17]
		027L	0.078 [1.98]	0.125 [3.17]
<p>0.230 [5.84] 0.620 [15.75] 0.140 [3.56] 0.040 [1.02] Typ. 0.034 [0.864] Dia. Solder Cup #22 or #24 AWG Max. 0.030 [0.762] Typ. 0.110 [2.79]</p>	<p>"A" End of Connector 0.590 [14.99] 0.250 [6.35] 2-56 UNC-2A Typ.</p>	<p>0.540 [13.72] 0.160 [4.06] 0.030 [0.762] Wide x 0.040 [1.02] Deep Typ. 0.124 [3.15] Dia. 0.500 [12.70] 0.140 [3.56] 0.110 [2.79]</p>	<p>0.950 [24.13] 0.046 [1.17] Wide x 0.062 [1.57] Deep Typ. 0.187 [4.75] Dia. 0.110 [2.79] 0.910 [23.11]</p>	
<p>0.490 [12.45] 0.140 [3.56] 0.520 [13.21]</p>	<p>0.230 [5.84] 0.620 [15.75] 0.140 [3.56] 0.034 [0.864] Dia. Solder Cup #22 or #24 AWG Max. 0.250 [6.35] 0.590 [14.99] 0.110 [2.79]</p>	<p>0.590 [14.99] 0.620 [15.75]</p>	<p>0.240 [6.10] Typ. 0.093 [2.36] Hex Socket 0.090 [2.29] Deep Typ. 0.180 [4.57] Dia. 0.610 [15.49] 0.140 [3.56] 0.580 [14.73] 0.110 [2.79]</p>	

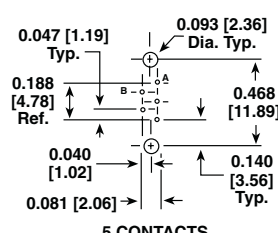
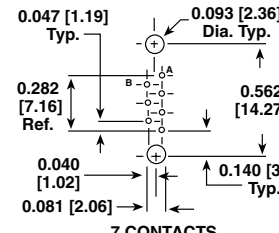
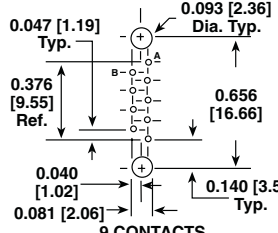
HARDWARE MATING CHART		NOTE:
HARDWARE MODEL	MATES WITH HARDWARE MODEL	Either MMP or MMS Connectors may be ordered with any type of hardware shown. <b>EXAMPLES:</b> 1. MMP with 026 Hardware would mate with an MMS with 026 Hardware. 2. MMS with SK Hardware would mate with an MMP with SL or NSL Hardware. 3. MMS with SL2 Hardware would mate with an MMP with SK2 or SK2030 Hardware.
026	026, 026L	
027	027, 027L	
SK	SL, NSL or SLL	
SK030	SL, NSL or SLL	
SK2	SL2, NSL2 or SL2L	
SK2030	SL2, NSL2 or SL2L	
SK2035	SL2, NSL2 or SL2L	

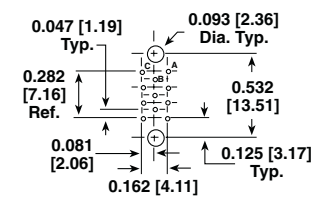
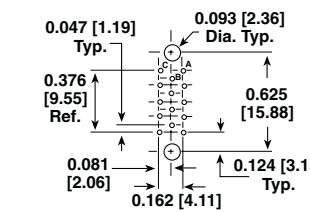
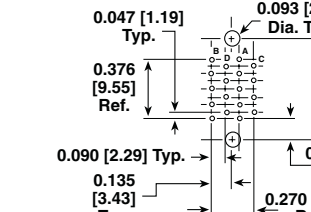


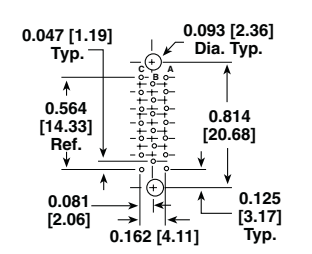
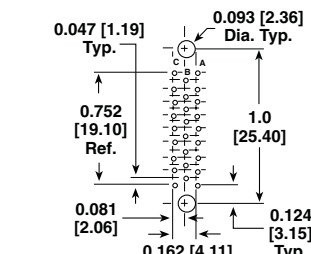
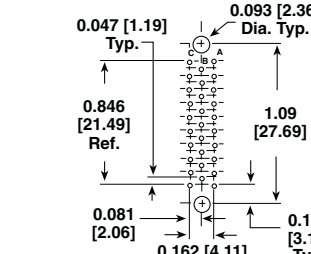
Rack and Panel Connectors  
 Military, MIL-C-28748/7/8 Qualified and Commercial  
 Microminiature Rectangular with Optional Hoods

Vishay Dale

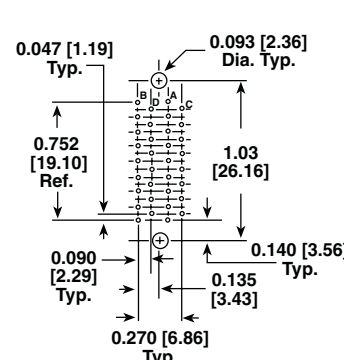
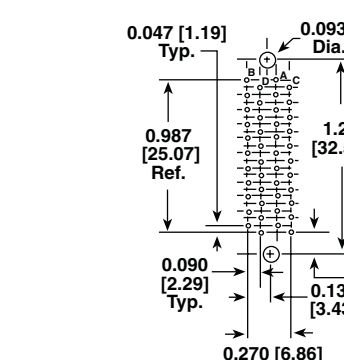
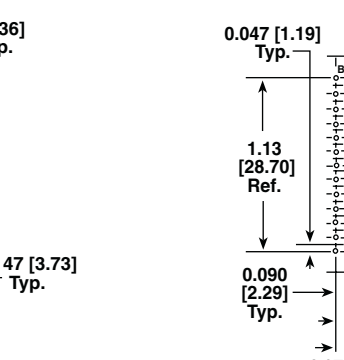
**MOUNTING VARIATIONS** in inches [millimeters]

 <p style="text-align: center;"><b>5 CONTACTS</b></p>	 <p style="text-align: center;"><b>7 CONTACTS</b></p>	 <p style="text-align: center;"><b>9 CONTACTS</b></p>	<p><b>DIP SOLDER PC BOARD MOUNTING PATTERNS</b></p> <p>Male (MMP) Connector Shown - Female is Opposite.</p> <p>Contact, Contact Row and Mating Hole C to C Dimensions also Applies to Solder Cup Style Connectors.</p>
--	--	---	--

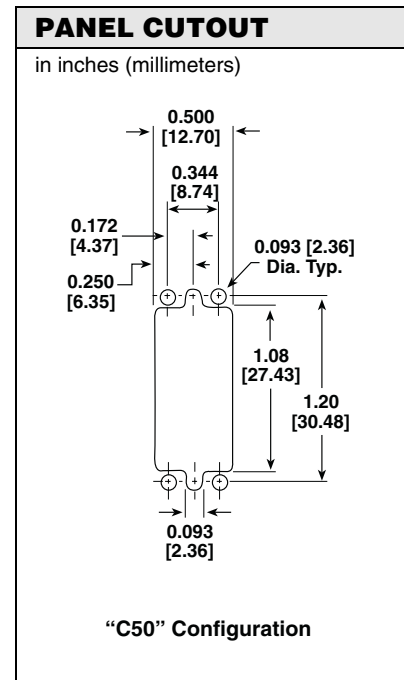
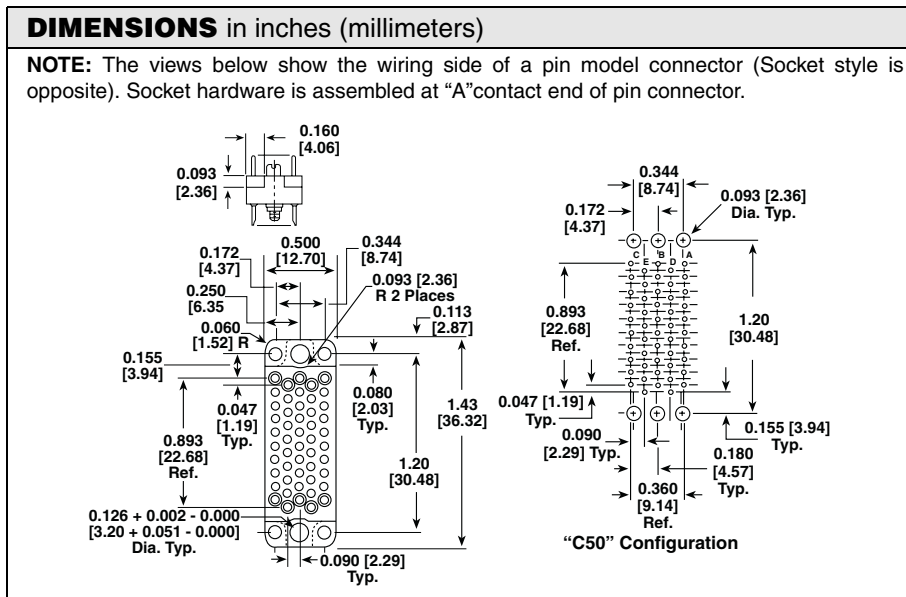
 <p style="text-align: center;"><b>11 CONTACTS</b></p>	 <p style="text-align: center;"><b>14 CONTACTS</b></p>	 <p style="text-align: center;"><b>18 CONTACTS</b></p>
---	---	--

 <p style="text-align: center;"><b>20 CONTACTS</b></p>	 <p style="text-align: center;"><b>26 CONTACTS</b></p>	 <p style="text-align: center;"><b>29 CONTACTS</b></p>
--	--	---

**MOUNTING VARIATIONS** in inches [millimeters]

 <p style="text-align: center;"><b>34 CONTACTS</b></p>	 <p style="text-align: center;"><b>44 CONTACTS</b></p>	 <p style="text-align: center;"><b>50 CONTACTS</b></p>
---	---	--

PANEL CUTOUT in inches [millimeters]								
	NUMBER OF CONTACTS	A	B	C	NUMBER OF CONTACTS	A	B	C
	5	0.210 [5.33]	0.468 [11.89]	0.340 [8.64]	20	0.270 [6.86]	0.814 [20.68]	0.690 [17.53]
	7	0.210 [5.33]	0.562 [14.27]	0.440 [11.18]	26	0.270 [6.86]	1.0 [25.40]	0.870 [22.10]
	9	0.210 [5.33]	0.656 [16.66]	0.530 [13.46]	29	0.270 [6.86]	1.09 [27.69]	0.970 [24.64]
	11	0.270 [6.86]	0.532 [13.51]	0.410 [10.41]	34	0.380 [9.65]	1.03 [26.16]	0.910 [23.11]
	14	0.270 [6.86]	0.625 [15.88]	0.500 [12.70]	44	0.380 [9.65]	1.28 [32.51]	1.16 [29.46]
	18	0.380 [9.65]	0.656 [16.66]	0.530 [13.46]	50	0.380 [9.65]	1.41 [35.81]	1.28 [32.51]

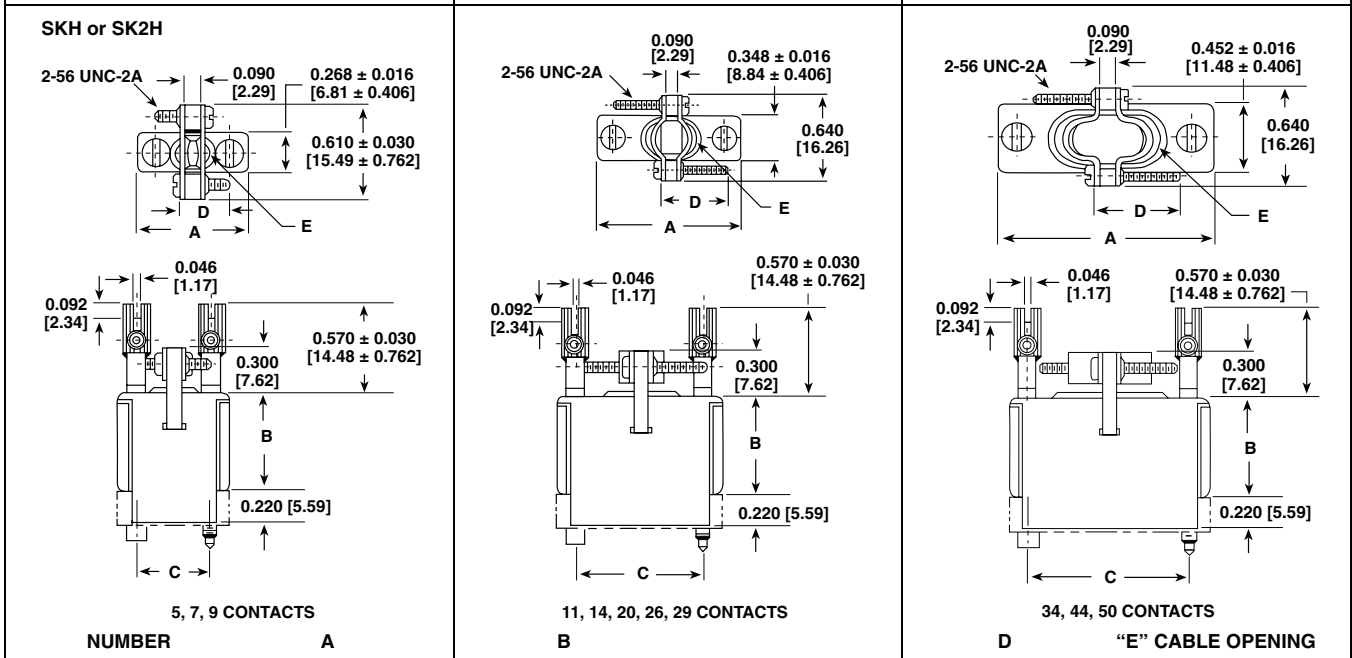
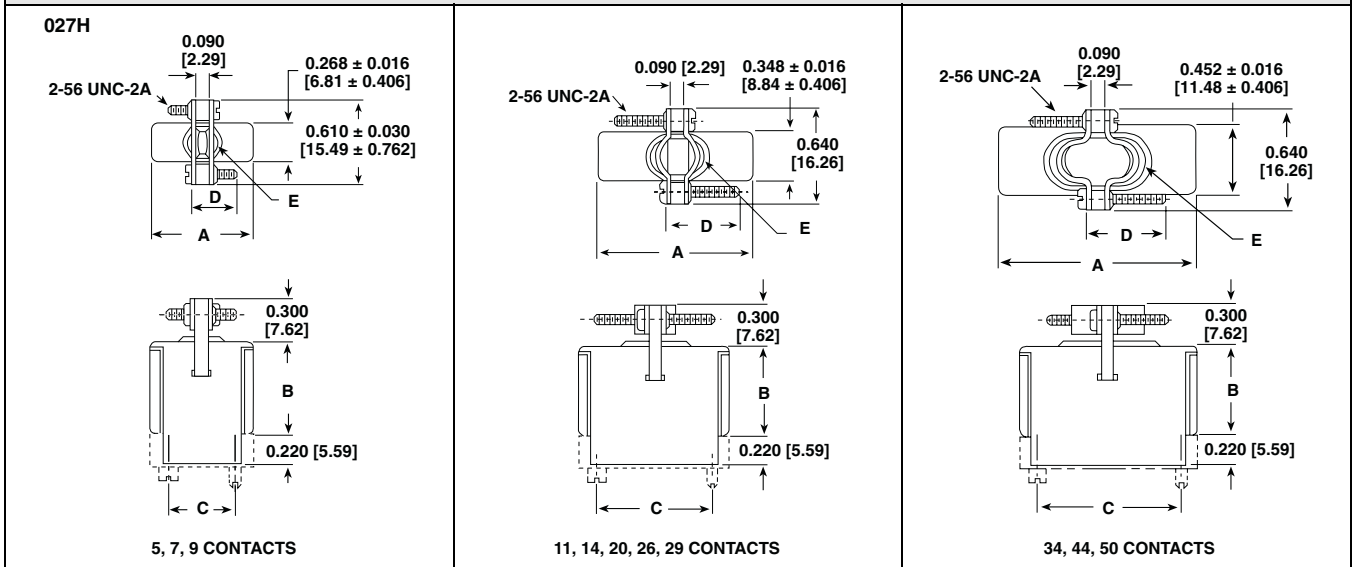


**DIP SOLDER PC BOARD MOUNTING PATTERNS:** Male (MMP) Connector Shown - Female is Opposite. Contact, Contact Row and Mating Hole C to C Dimensions also Applies to Solder Cup Style Connectors.



Rack and Panel Connectors  
 Military, MIL-C-28748/7/8 Qualified and Commercial  
 Microminiature Rectangular with Optional Hoods

**HOOD VARIATIONS** in inches [millimeters]



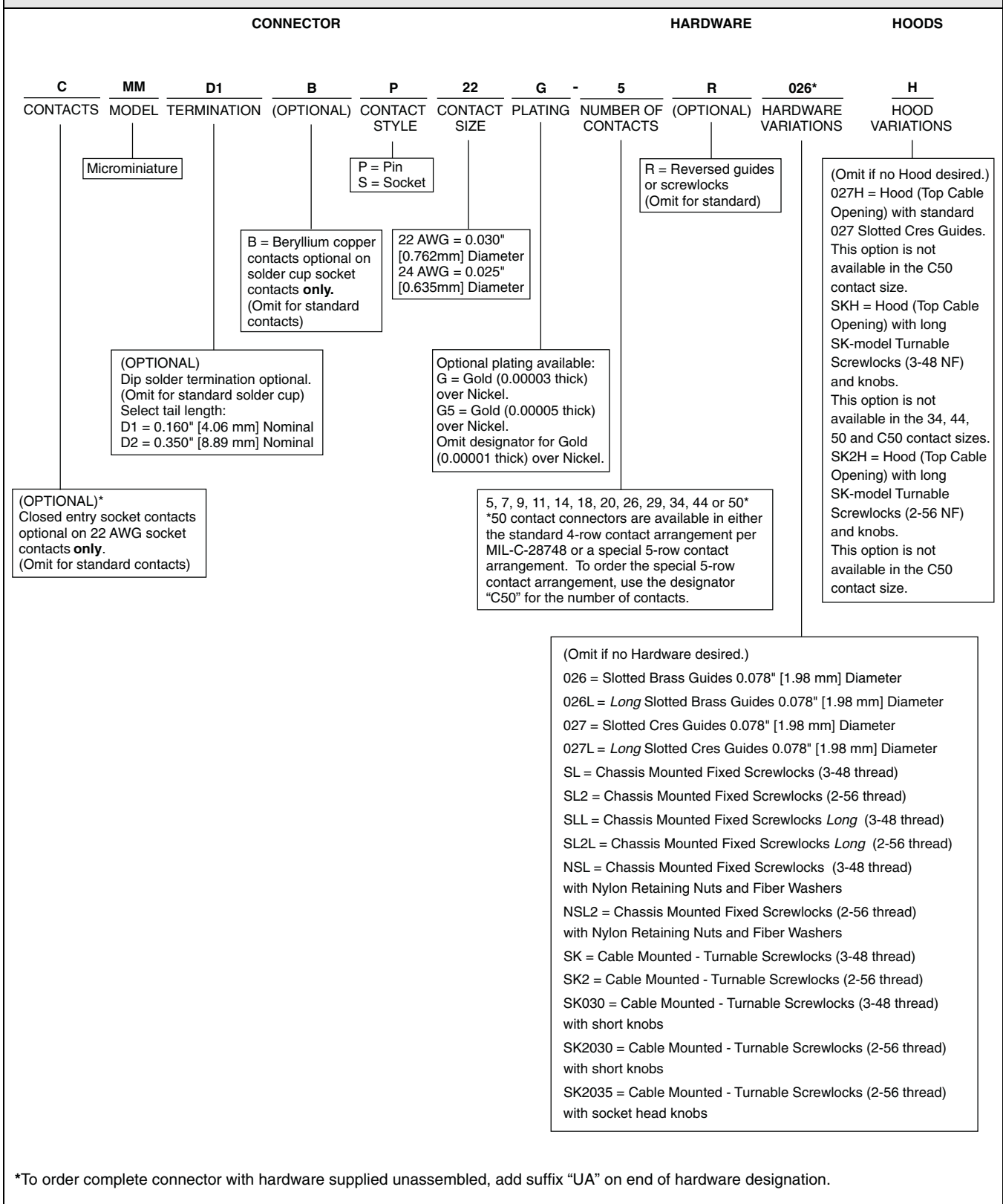
NUMBER OF CONTACTS	A ± 0.016 [0.406]	B ± 0.030 [0.76]	C	D ± 0.016 [0.406]	"E" CABLE OPENING SQ. IN. [Sq. MM]
5	0.690 [17.53]	0.650 [16.51]	0.468 [11.89]	0.310 [7.87]	0.028 [0.711]
7	0.780 [19.81]	0.650 [16.51]	0.562 [14.27]	0.440 [11.18]	0.037 [0.940]
9	0.870 [22.10]	0.650 [16.51]	0.656 [16.66]	0.500 [12.70]	0.052 [1.321]
11	0.780 [19.81]	0.650 [16.51]	0.532 [13.51]	0.440 [11.18]	0.054 [1.372]
14	0.870 [22.10]	0.650 [16.51]	0.625 [15.88]	0.500 [12.70]	0.076 [1.930]
20	1.06 [26.92]	0.650 [16.51]	0.814 [20.68]	0.620 [15.75]	0.105 [2.667]
26	1.25 [31.75]	0.650 [16.51]	1.00 [25.40]	0.620 [15.75]	0.105 [2.667]
29	1.34 [34.04]	0.650 [16.51]	1.09 [27.67]	0.620 [15.75]	0.105 [2.667]
34	1.25 [31.75]	0.650 [16.51]	1.03 [26.16]	0.500 [12.70]	0.160 [4.064]
44	1.50 [38.10]	1.17 [29.72]	1.28 [32.51]	0.500 [12.70]	0.190 [4.826]
50	1.62 [41.15]	1.17 [29.72]	1.41 [35.81]	0.620 [15.75]	0.202 [5.131]



Rack and Panel Connectors  
Military, MIL-C-28748/7/8 Qualified and Commercial  
Microminiature Rectangular with Optional Hoods

Vishay Dale

ORDERING INFORMATION



\*To order complete connector with hardware supplied unassembled, add suffix "UA" on end of hardware designation.



## Disclaimer

All product specifications and data are subject to change without notice.

Vishay Intertechnology, Inc., its affiliates, agents, and employees, and all persons acting on its or their behalf (collectively, "Vishay"), disclaim any and all liability for any errors, inaccuracies or incompleteness contained herein or in any other disclosure relating to any product.

Vishay disclaims any and all liability arising out of the use or application of any product described herein or of any information provided herein to the maximum extent permitted by law. The product specifications do not expand or otherwise modify Vishay's terms and conditions of purchase, including but not limited to the warranty expressed therein, which apply to these products.

No license, express or implied, by estoppel or otherwise, to any intellectual property rights is granted by this document or by any conduct of Vishay.

The products shown herein are not designed for use in medical, life-saving, or life-sustaining applications unless otherwise expressly indicated. Customers using or selling Vishay products not expressly indicated for use in such applications do so entirely at their own risk and agree to fully indemnify Vishay for any damages arising or resulting from such use or sale. Please contact authorized Vishay personnel to obtain written terms and conditions regarding products designed for such applications.

Product names and markings noted herein may be trademarks of their respective owners.