

7528G6314-9 ✓ ACTIVE

Raychem

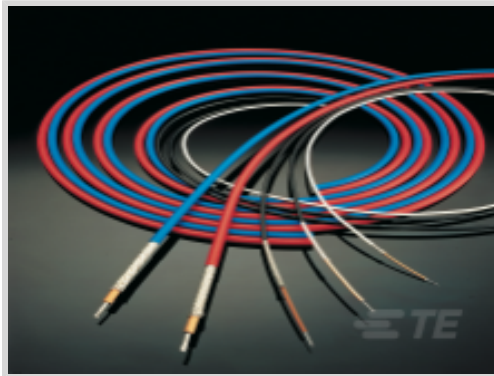
TE Internal #: A59673-000

High Speed Digital & Data Cable, Cheminax, 75 Ω , 28AWG Wire Size, Operating Temperature Range -65 – 125 $^{\circ}\text{C}$ [-85 – 257 $^{\circ}\text{F}$]

[View on TE.com >](#)



Wire & Cable > High Speed Digital & Data Cable



High Speed Digital & Data Cable Type: **Cheminax**

Impedance: **75 Ω**

Wire Size: **28 AWG**

Operating Temperature Range: **-65 – 125 $^{\circ}\text{C}$ [-85 – 257 $^{\circ}\text{F}$]**

Features

Product Type Features

Product Classification	Cable - Coaxial
Cable Style	Round Braided
Product Type	Cable
High Speed Digital & Data Cable Type	Cheminax

Electrical Characteristics

	17.1 pF/ft
Impedance	75 Ω

Signal Characteristics

Velocity of Propagation	79%
-------------------------	-----

Body Features

Shield Material	Silver-Coated Copper
Shield Style	Double
Jacket Color	White
Conductor Material	Silver-Plated High Strength Copper
Jacket Material	Thermorad S

Dimensions

Wire Diameter	.38 mm[.015 in]
Cable Dielectric Diameter	1.55 mm[.061 in]



Overall Outside Diameter	3.91 mm[.154 in]
--------------------------	------------------

Wire Size	28 AWG
-----------	--------

Usage Conditions

Operating Temperature Range	-65 – 125 °C[-85 – 257 °F]
-----------------------------	----------------------------

Other

Dielectric Material	Rayfoam L
---------------------	-----------

Product Compliance

[For compliance documentation, visit the product page on TE.com>](#)

EU RoHS Directive 2011/65/EU	Compliant
------------------------------	-----------

EU ELV Directive 2000/53/EC	Compliant
-----------------------------	-----------

China RoHS 2 Directive MIIT Order No 32, 2016	No Restricted Materials Above Threshold
---	---

EU REACH Regulation (EC) No. 1907/2006	Current ECHA Candidate List: JUN 2020 (209) Candidate List Declared Against: JAN 2019 (197) Does not contain REACH SVHC
--	---

Halogen Content	Not Low Halogen - contains Br or Cl > 900 ppm.
-----------------	--

Solder Process Capability	Not applicable for solder process capability
---------------------------	--

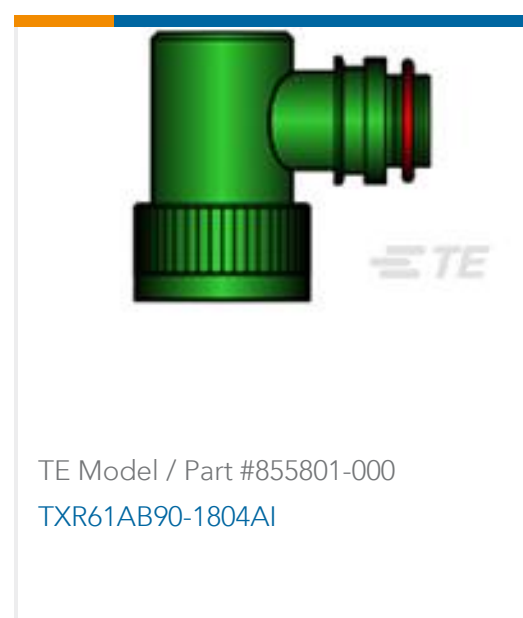
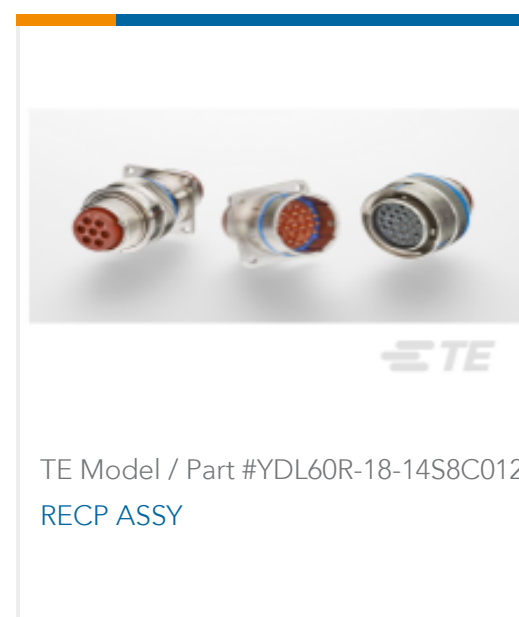
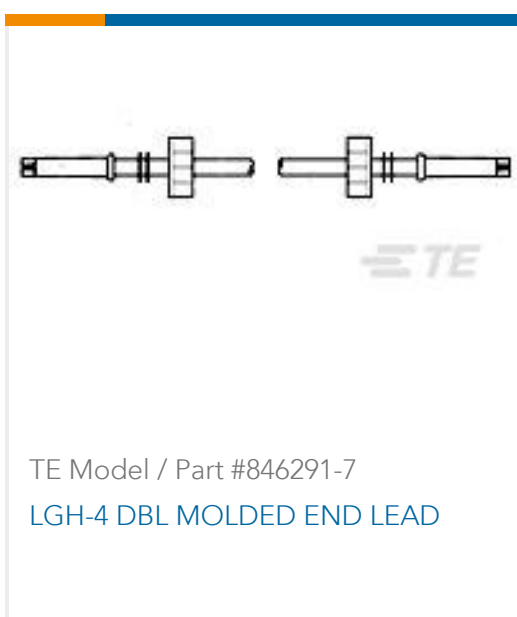
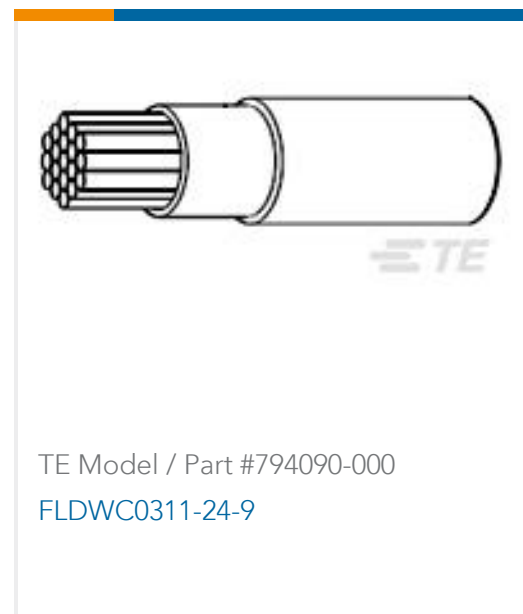
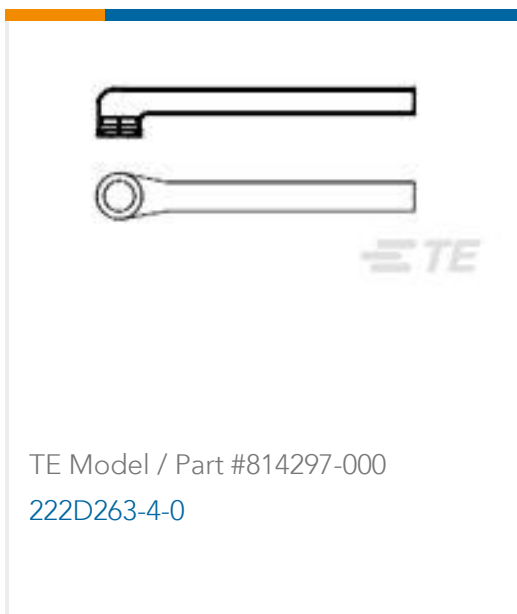
Product Compliance Disclaimer

This information is provided based on reasonable inquiry of our suppliers and represents our current actual knowledge based on the information they provided. This information is subject to change. The part numbers that TE has identified as EU RoHS compliant have a maximum concentration of 0.1% by weight in homogenous materials for lead, hexavalent chromium, mercury, PBB, PBDE, DBP, BBP, DEHP, DIBP, and 0.01% for cadmium, or qualify for an exemption to these limits as defined in the Annexes of Directive 2011/65/EU (RoHS2). Finished electrical and electronic equipment products will be CE marked as required by Directive 2011/65/EU. Components may not be CE marked. Additionally, the part numbers that TE has identified as EU ELV compliant have a maximum concentration of 0.1% by weight in homogenous materials for lead, hexavalent chromium, and mercury, and 0.01% for cadmium, or qualify for an exemption to these limits as defined in the Annexes of Directive 2000/53/EC (ELV). Regarding the REACH Regulation, the information TE provides on SVHC in articles for this part number is based on the latest European Chemicals Agency (ECHA) 'Guidance on requirements for substances in articles' posted at this URL: <https://echa.europa.eu/guidance-documents/guidance-on-reach>

Compatible Parts



Customers Also Bought



Documents

Product Drawings

7528G6314-9

English

Datasheets & Catalog Pages

1654025_Sec9_CheminaxCables

English

Raychem Cheminax RF Coaxial Cables and RF Connectors Selection Guide

English



Product Specifications

Product Specification

English