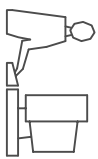
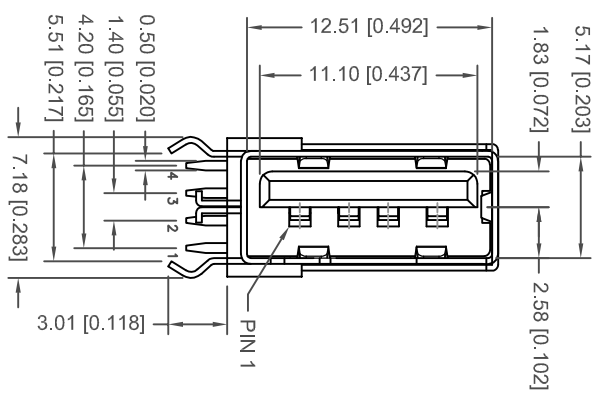
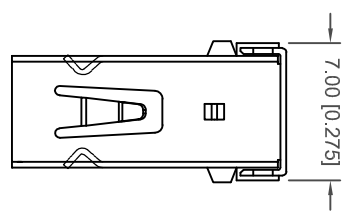


TOLERANCE UNLESS OTHERWISE SPECIFIED IN MM:	
0	±0.38
0.00	±0.30
0.000	±0.20

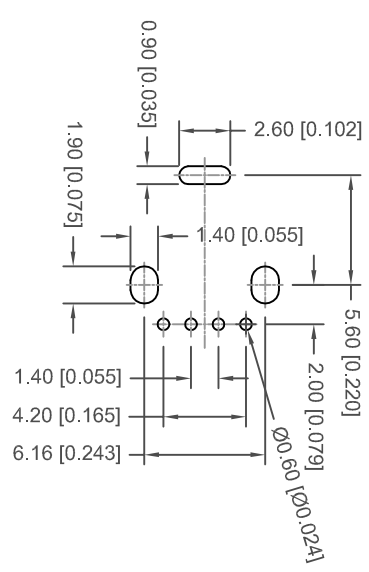
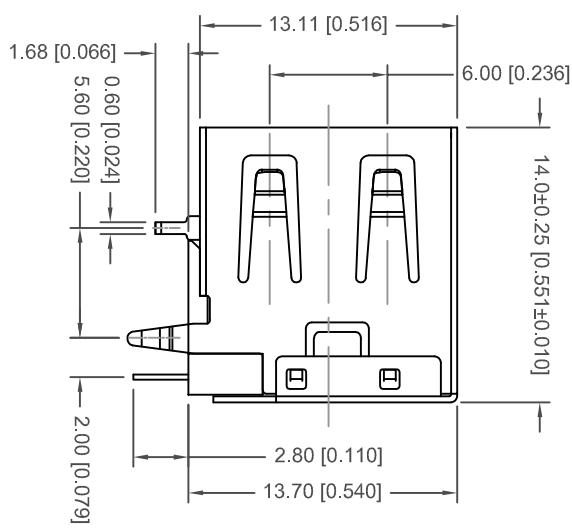
THIS IS A C.A.D. GENERATED DRAWING  
DO NOT MAKE MANUAL REVISIONS TO MASTER.



ISSUE NUMBER	
1	ORIGINAL
2	MATERIAL: PBT WAS LCP RSTALMONICA DEC.21/2012



PCB HOLE LAYOUT



NOTES:

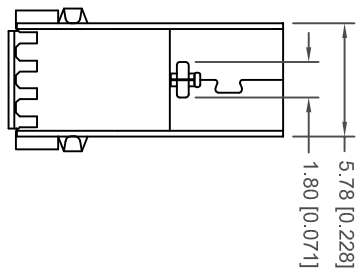
1. MATERIALS:  
INSULATION MATERIAL: GLASS FILLED PBT, UL 94V-0, BLACK  
SHELL: BRASS, T:0.30MM, NICKEL PLATED  
CONTACT: BRASS T:0.25MM, WITH SELECTIVE GOLD PLATING ON CONTACT AREA, 1000" BRIGHT TIN PLATING ON SOLDER AREA, ALL OVER 500" NICKEL UNDERPLATING

PART NO.	CONTACT PLATING
690-004-261-906	GOLD FLASH PLATING
690-004-361-906	150" OF GOLD PLATING
690-004-661-906	300" OF GOLD PLATING
690-004-961-906	500" OF GOLD PLATING

2. ELECTRICAL:  
INSULATION RESISTANCE: 1000 MEGOHMS MIN  
CONTACT RESISTANCE: 30 MILLIOHM MAX  
WITHSTANDING VOLTAGE: 500V AC
3. MECHANICAL:  
INSERTION FORCE: 3.57 Kgf MAX  
EXTRACTION FORCE: 1.02 Kgf MIN
4. DIMENSION: MM [INCHES]



THIS SERIES FULLY CONFORMS TO THE EUROPEAN UNION DIRECTIVES 2002/95/EC AND 2002/96/EC FOR ROHS COMPLIANCY.



USB-A CONNECTOR, RECEPTACLE, RIGHT ANGLE WITHOUT FLANGE

EDAC INC  
TORONTO, ONTARIO  
CANADA  
YOUR CONNECTION TO QUALITY & SERVICE

THESE DRAWINGS AND SPECIFICATIONS ARE THE PROPERTY OF EDAC INC. AND SHALL NOT BE REPRODUCED OR COPIED OR USED AS THE BASIS FOR THE MANUFACTURE OR SALE OF APPARATUS WITHOUT WRITTEN PERMISSION.

ACAD REFERENCE NO.:	690-004-261-906
DRAWN: R.STALMONICA	DATE: NOV.12/2012
CHECKED:	DATE:
PART NUMBER	690-004-261-906
DRAWING NUMBER	690-004-261-906
SHEET 1 OF 1	ISSUE 2