

F

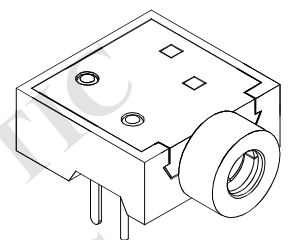
E

D

C

B

A

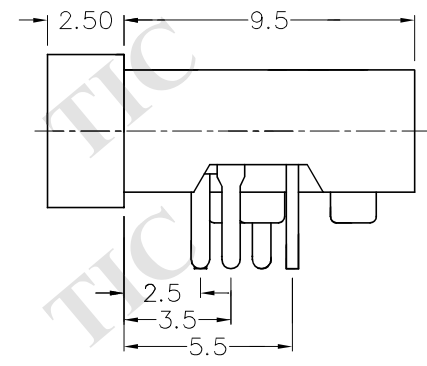
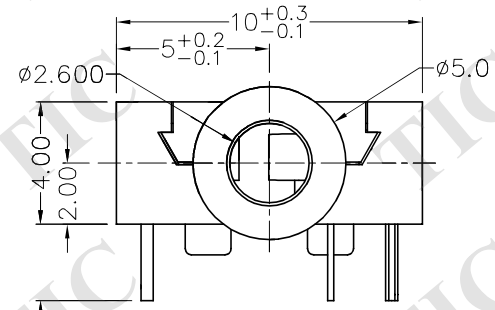
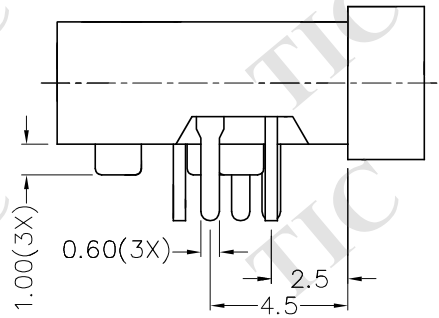


RoHS
Compliant

ZONE	SYMBOL	REVISION	APPROVAL	DATE

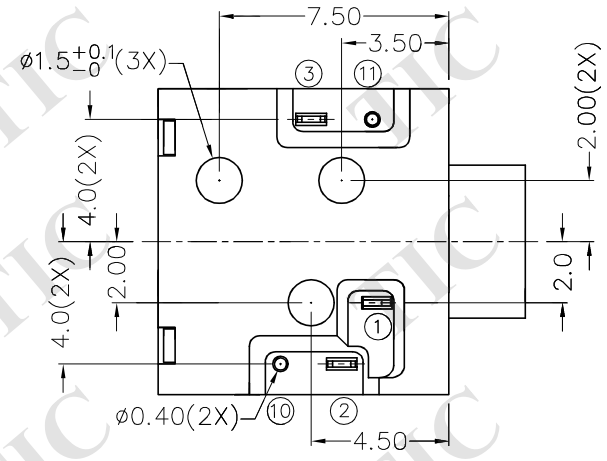
1

1



2

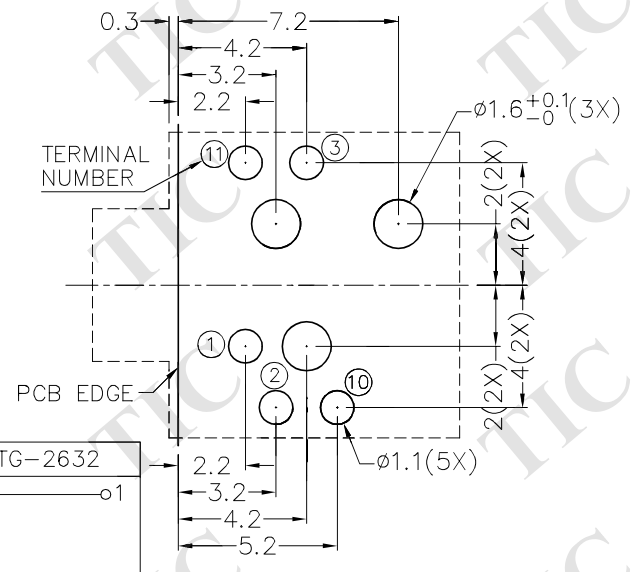
2



2.5±0.3(5X)

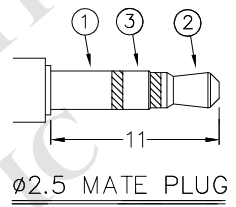
* MATERIAL

- TERMINAL 1 : BRASS
- TERMINAL 2 : COPPER ALLOY
- TERMINAL 3 : COPPER ALLOY
- TERMINAL 10 : COPPER ALLOY
- TERMINAL 11 : COPPER ALLOY
- BUSHING : BRASS
- HOUSING : THERMOPLASTIC
- COVER : THERMOPLASTIC



3

3



MODEL NO.	TG-2635	TG-2634A	TG-2634B	TG-2633	TG-2633A	TG-2632
SCHEMATIC						

RECOMMENDED PCB LAYOUT
TOLERANCE: ±0.05
(TOP VIEW)

4

4



TECHNIK INDUSTRIAL CO. LTD.

DESIGN	J.M.KWAN	DATE	5-12-2003	SCALE	4:1
DRAWING	H.Q.ZHOU	DATE	28-2-2017	MATERIAL	*
CHECK	T.Y.LI	DATE	28-2-2017	DWG. NO.	TZ\TG263-B/1.0
APPROVAL		DATE		SHEET	

PART NAME	2.5mm STEREO JACK	TOLERANCE UNLESS	0.0±0.2	UNIT:	mm
PART NO.	TG-263	OTHERWISE SPECIFIED:	0.00±0.1 0.000±0.05		

F

E

D

C

B

A