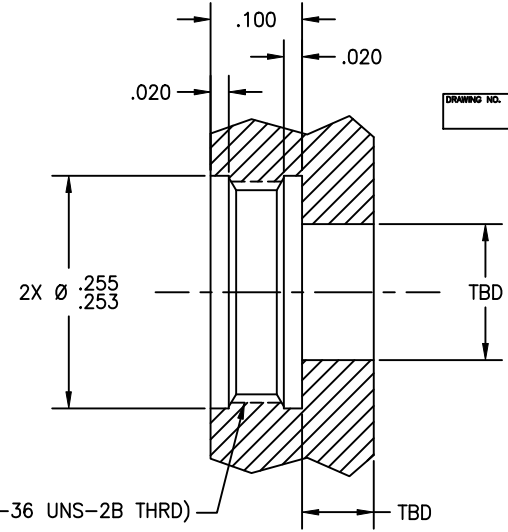
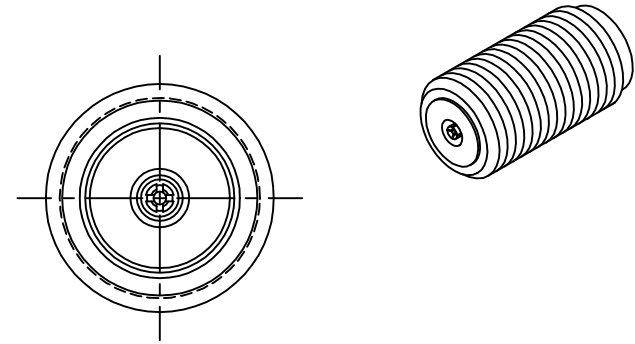
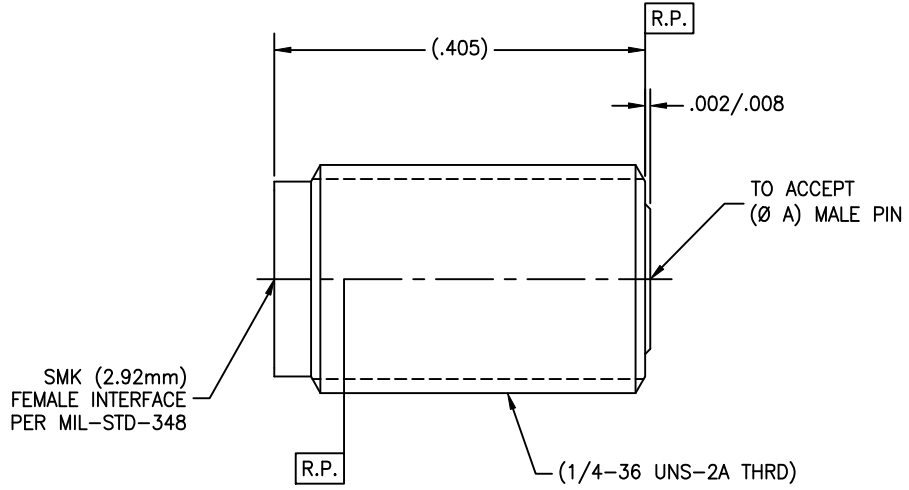


P/N	APPLICABLE NOTE(S)	(Ø A)
CCSF	1,2,3,5	.0120
-1CCSF	1,2,4,5	.0120

REVISIONS				
ZONE	REV	DESCRIPTION	DATE	BY
-	E	ECO 12442	10.30.00	IMG
-	F	ECO 14040	12.19.01	AGS
-	G	ECO 14687	07.12.02	ATV



MOUNTING HOLE CONFIGURATION

NOTE(S):

1. MATERIAL(S):
  - 1.1 BODY & INSERT: 303 SST PER ASTM A-582
  - 1.2 CONTACT: BeCu ALLOY PER ASTM B-196
  - 1.3 BEAD: (SEE NOTES 3 & 4)
2. FINISH(ES):
  - 2.1 BODY & INSERT: PASSIVATE PER ASTM A-967
  - 2.2 CONTACT: GOLD PLATE PER ASTM B-488 OVER NICKEL PLATE PER AMS-QQ-N-290
3. FOR HIGH TEMPERATURE APPLICATIONS.
4. FOR CHEMICAL RESISTANCE APPLICATIONS.
5. ELECTRICAL PERFORMANCE:
  - 5.1 FREQUENCY RANGE: DC-40 GHz
  - 5.2 R.F. INSERTION LOSS: 0.5 dB MAX TO 40 GHz
  - 5.3 VSWR: 1.10:1 DC TO 18 GHz  
1.25:1 18-40 GHz

**NOTICE**  
 THIS DRAWING EMBODIES A CONFIDENTIAL PROPRIETARY DESIGN ORIGINATED BY TENSOLITE COMPANY AND ALL DESIGN, MANUFACTURING REPRODUCTION, USE AND SALE RIGHTS REGARDING THE SAME ARE EXPRESSLY RESERVED. IT IS SUBMITTED UNDER A CONFIDENTIAL RELATIONSHIP FOR A SPECIFIED PURPOSE AND THE RECIPIENT AGREES BY ACCEPTING THIS DRAWING NOT TO SUPPLY OR DISCLOSE ANY INFORMATION REGARDING IT TO ANY UNAUTHORIZED PERSON OR TO INCORPORATE IN OTHER PROJECTS ANY SPECIAL FEATURES PECULIAR TO THIS DESIGN. ALL PATENT RIGHTS HERETO ARE EXPRESSLY RESERVED BY TENSOLITE COMPANY, LONG BEACH, CALIFORNIA 90815.

**TOLERANCES AND NOTES EXCEPT AS NOTED**  
 DIMENSIONS ARE IN INCHES.  
 LINEAR .XX ±.010 ANGULAR ± 1/2°  
 FRACTION ± 1/32  
 1. MACHINE FINISH: 63/RMS  
 2. BREAK ALL SHARP EDGES .003 MAX.  
 3. MACHINED FILLETS: .005 MAX.  
 4. MACHINED SURFACES: SQUARE TO RESPECTIVE AXIS WITHIN .005 INCHES PER INCH.  
 5. MACHINED DIAMETERS CONCENTRIC WITHIN .002 I.L.R.  
 6. DIMENSIONS TO BE MET BEFORE PLATING.  
 7. CHAMFER ALL THREADS 45°.  
 8. THREADS PER H-28  
 9. REMOVE PRIVY EDGES ON TEFLON.  
 10. REMOVE ALL BURRS.

SEE NOTES		-	SEE NOTES	-
MATERIAL		SIZE	SPECIFICATION	PROCUREMENT
NEXT ASSY		<b>Tensolite</b> HIGH PERFORMANCE CABLES & INTERCONNECT SYSTEMS Long Beach, California 90815		
APPROVAL INITIALS	DATE	TITLE		
DKN	07.15.99	SMK (2.92mm) FEMALE STRAIGHT BULKHEAD FEEDTHROUGH		
CHECKED		SCALE	SUB-DIRECTORY/FILENAME	
QUALITY		10/1	OL	SHEET 1 OF 1
ENGINEERING	ATV 07.17.02	SIZE	CAGE CODE	DRAWING NO.
		C 30990		240
			REV.	G