

1726A1424-9X ✓ ACTIVE

Raychem | Raychem CANbus Cable

TE Internal #: CB1456-000

Raychem CANbus Cable, High Speed Digital & Data Cable,
CANbus, 120 Ω , 26AWG Wire Size, Operating Temperature Range
-65 – 200 °C [-149 – 392 °F]

[View on TE.com >](#)



Wire & Cable > High Speed Digital & Data Cable



High Speed Digital & Data Cable Type: **CANbus**

Impedance: **120 Ω**

Wire Size: **26 AWG**

Operating Temperature Range: **-65 – 200 °C [-149 – 392 °F]**

Features

Product Type Features

Product Classification	Cable - Coaxial
Cable Style	Twisted Pair
Product Type	Cable
High Speed Digital & Data Cable Type	CANbus

Electrical Characteristics

	13.72 pF/ft
Impedance	120 Ω

Signal Characteristics

Velocity of Propagation	77%
-------------------------	-----

Body Features

Shield Material	Silver-Coated Copper
Jacket Color	Transparent White
Conductor Material	Silver-Plated High Strength Copper
Jacket Material	Modified FEP

Dimensions

Wire Diameter	.48 mm[.019 in]
Overall Outside Diameter	3.12 mm[.123 in]
Cable Dielectric Diameter	1.19 mm[.047 in]



Wire Size	26 AWG
-----------	--------

Usage Conditions

Operating Temperature Range	-65 – 200 °C[-149 – 392 °F]
-----------------------------	-----------------------------

Other

Dielectric Material	Rayfoam H
---------------------	-----------

Product Compliance

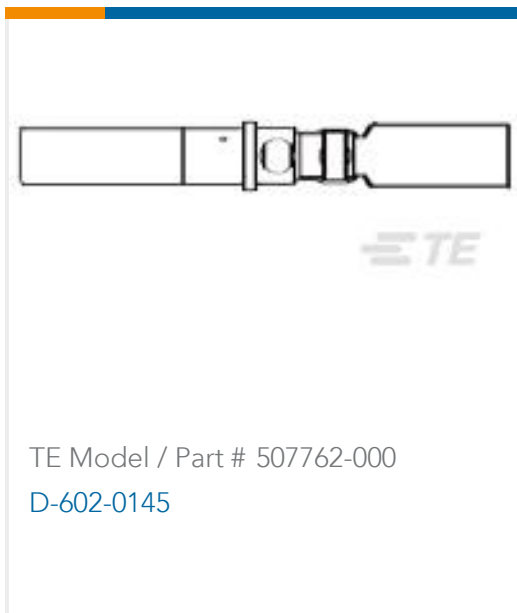
[For compliance documentation, visit the product page on TE.com>](#)

EU RoHS Directive 2011/65/EU	Compliant
EU ELV Directive 2000/53/EC	Compliant
China RoHS 2 Directive MIIT Order No 32, 2016	No Restricted Materials Above Threshold
EU REACH Regulation (EC) No. 1907/2006	Current ECHA Candidate List: JUN 2020 (209) Candidate List Declared Against: JAN 2019 (197) Does not contain REACH SVHC
Halogen Content	Out of Scope - excluded from Halogen requirements
Solder Process Capability	Not applicable for solder process capability

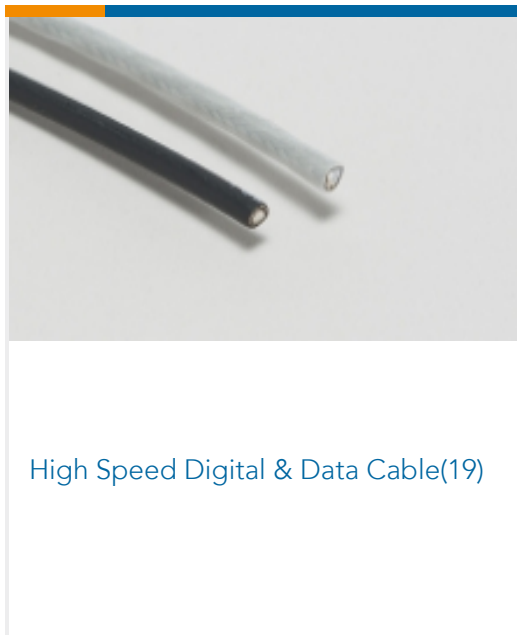
Product Compliance Disclaimer

This information is provided based on reasonable inquiry of our suppliers and represents our current actual knowledge based on the information they provided. This information is subject to change. The part numbers that TE has identified as EU RoHS compliant have a maximum concentration of 0.1% by weight in homogenous materials for lead, hexavalent chromium, mercury, PBB, PBDE, DBP, BBP, DEHP, DIBP, and 0.01% for cadmium, or qualify for an exemption to these limits as defined in the Annexes of Directive 2011/65/EU (RoHS2). Finished electrical and electronic equipment products will be CE marked as required by Directive 2011/65/EU. Components may not be CE marked. Additionally, the part numbers that TE has identified as EU ELV compliant have a maximum concentration of 0.1% by weight in homogenous materials for lead, hexavalent chromium, and mercury, and 0.01% for cadmium, or qualify for an exemption to these limits as defined in the Annexes of Directive 2000/53/EC (ELV). Regarding the REACH Regulation, the information TE provides on SVHC in articles for this part number is based on the latest European Chemicals Agency (ECHA) 'Guidance on requirements for substances in articles' posted at this URL: <https://echa.europa.eu/guidance-documents/guidance-on-reach>

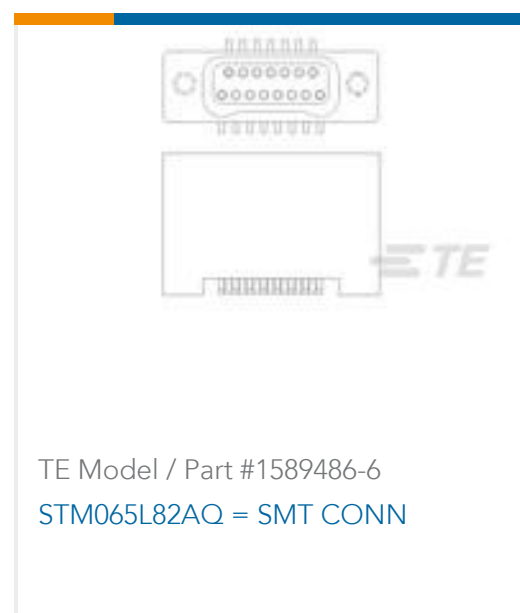
Compatible Parts



Also in the Series | Raychem CANbus Cable



Customers Also Bought





Documents

Product Drawings

[1726A1424-9X](#)

English

Datasheets & Catalog Pages

[1654025_Sec9_CheminaxCables](#)

English

Wire and Cable Overview

English

Product Specifications

[Product Specification](#)

English