

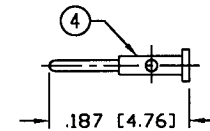
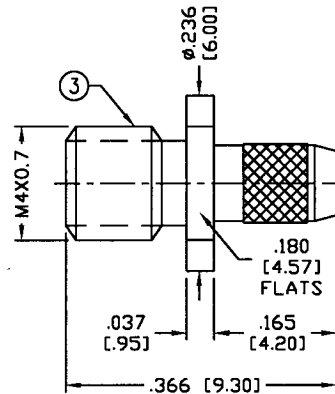
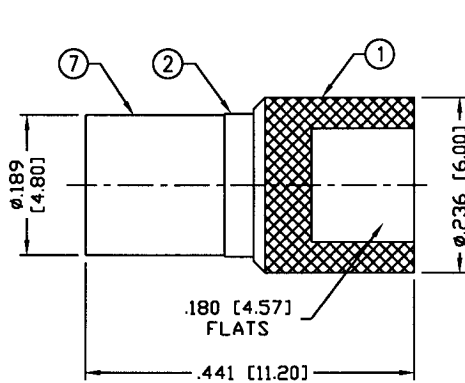
THIS DRAWING CONTAINS INFORMATION PROPRIETARY TO RF INDUSTRIES.
 ANY UNAUTHORIZED USE OF THIS DRAWING IS EXPRESSLY PROHIBITED
 WITHOUT WRITTEN PERMISSION FROM RF INDUSTRIES.
 ANY VIOLATION IS PUNISHABLE UNDER U.S. COPYRIGHT LAWS.

ALL DIMENSIONS ARE REFERENCE ONLY

PART NO.

RP-700-179-1

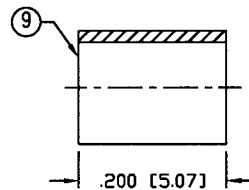
REV	DESCRIPTION	DWN	DATE	APPROVED
-	ENGINEERING RELEASE	CZS	5/22/02	JDMc



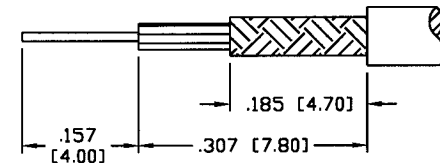
RECOMMENDED SOLDER ONLY

SPECIFICATIONS:

IMPEDANCE: 75 Ohms
 FREQUENCY RANGE: 0-4 GHz
 WORKING VOLTAGE: 335 V rms Max. @ Sea Level
 INSULATION RESISTANCE: 5k M Ohms min.
 TEMPERATURE RANGE: -65°C TO 165°C
 FOR: RG-179/U CABLE



RECOMMENDED CRIMP DIE: .130"



RECOMMENDED STRIPING DIMENSIONS

1	PRES BODY	1	BRASS	GOLD, 3μ"
2	SSMB BODY	1	BRASS	GOLD, 3μ"
3	FERRULE STUD	1	BRASS	NICKEL, 80μ"
4	PIN	1	Be. Cu.	GOLD, 3μ"
5	DIELECTRIC	1	PTFE	---
6	DIELECTRIC	1	PTFE	---
7	SHELL	1	BRASS	NICKEL, 80μ"
8	RETAINING RING	1	Be.Cu.	NICKEL, 80μ"
9	FERRULE	1	BRASS	NICKEL, 80μ"

0000486

UNLESS OTHERWISE SPECIFIED:

- REMOVE ALL BURRS
- BREAK ALL CORNERS & EDGES .005 R. MAX.
- CHAMFER 1ST & LAST THREADS 45°
- SURFACE ROUGHNESS 63 FINISH MIL-STD-10
- DIAMETERS ON COMMON CENTERS TO BE CONCENTRIC WITHIN .002 T.I.R.
- ALL DIMENSIONS ARE AFTER PLATING.

DIMENSIONS ARE IN INCHES AND [MILLIMETERS]

UNLESS OTHERWISE NOTED TOLERANCES ARE:

DECIMALS	DIAMETER
.xxx±.003 [.08]	.xxx±.001 [.03]
.xx±.005 [.13]	.xx±.003 [.08]

DRAWN	C. ZUNIGA	5/22/02
CHECKED	JDM 5/22/02	
ORJ DRAWN	C. ZUNIGA	5/22/002
APPROVALS	DATE	

RF connectors
 DIVISION OF RF INDUSTRIES, LTD.

7610 MIRAMAR RD
 SAN DIEGO, CA 92126
 (858) 549-6340
 (858) 549-6345 FAX

SSMB PLUG

REVERSE POLARITY, FOR RG-179/U

SIZE	CABLE GROUP	DWG NO.	REV
A	N/A	RP-700-179-1	-
SCALE: NTS		CAD FILE OUTLINE	SHEET 1 OF 1