



2-conductor PCB terminal block; 2.5 mm²; Pin spacing 7.5/7.62 mm; 10-pole; PUSH WIRE®

Item No.: 254-260



2-conductor PCB terminal block; 2.5 mm²; Pin spacing 7.5/7.62 mm; 10-pole; PUSH WIRE®

Marking

RoHS ✓
Compliant

Business data

Supplier	WAGO
Item no.	254-260
GTIN / EAN	4017332227803
Content	1
Order amount	15
Customer item number	

Notes

Item description: Terminal strips with screwdriver-actuated PUSH WIRE® termination Push-in termination of solid and ferruled, fine-stranded conductors Test socket for 2mm Ø test plug Saves space on the PCB, just 8.9mm deep

Technical data

Miscellaneous

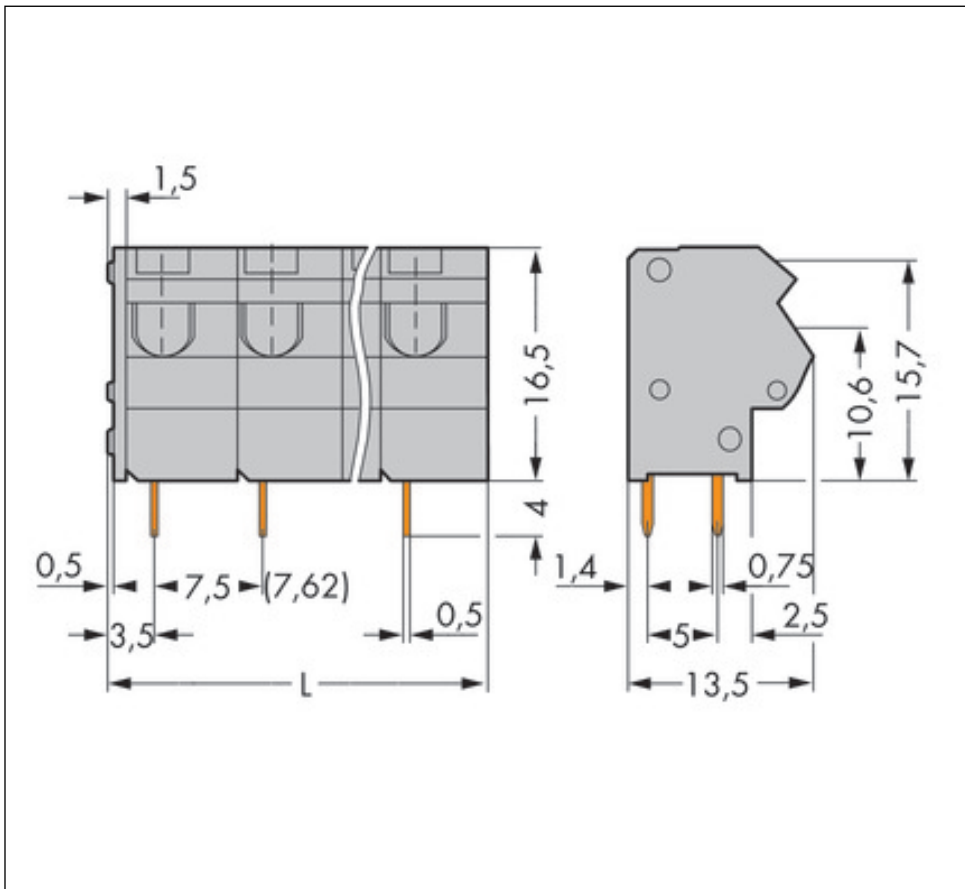
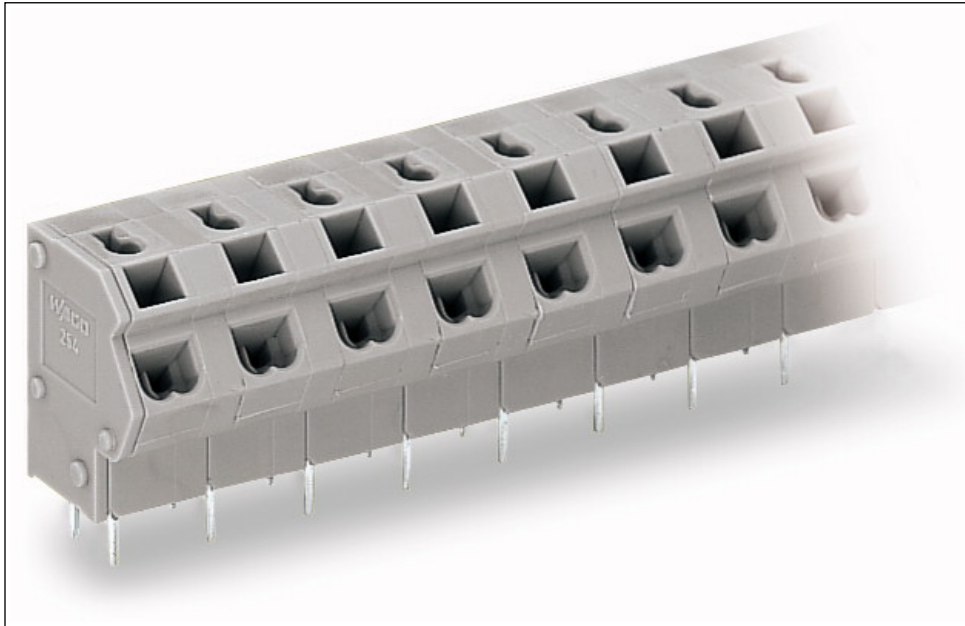
No. of poles	10
Pin spacing	7.5/7.62 mm / 0.295/0.3 in
Total number of connection points	20
Total number of potentials	20

Technical data	
Color	gray
Ratings per	IEC/EN 60664-1
Rated voltage (III / 3) [V]	500 [V]
Rated impulse voltage (III / 3) [kV]	6 [kV]
Pollution degree (1)	3
Rated voltage (III/2) [V]	630 [V]
Rated impulse voltage (III / 2) [kV]	6 [kV]
Rated voltage (II / 2) [V]	1000 [V]
Rated impulse voltage (II / 2) [kV]	6 [kV]
Rated current [A]	10 [A]
Legend for ratings	(III / 2) Overvoltage category III /
Number of connection objects	1
Number of levels	1
Pull-in time	0.0
Connection technology	PUSH WIRE®
Number of connection points connector	2
Actuation type	Operating tool
Solid conductor	0.25 ... 0.75 mm ² / 22 ... 18 AWG
Strip length	10 ... 12 mm / 0.39 ... 0.47 Inch
Conductor entry angle to the PCB [°]	45 [°]
Solder pin arrangement	in line
Solder pin length [mm]	4 [mm]
Drilled hole diameter (tolerance) [mm]	1.1(+ 0.1) [mm]
Material group	I
Insulating material	Polyamide 66 (PA 66)
Flammability class per UL94	V0
Limit temperature range	-60 ... 105 °C
Clamping spring material	Chrome-nickel spring steel (CrNi)
Contact material	Electrolytic copper (Ecu)
Contact plating	tin-plated
Fire load [MJ]	0.276 [MJ]
Weight [g]	14.096 [g]
Width	76.5 mm / 3.012 Inch
Height	20.5 mm / 0.807 Inch

Technical data

<i>Height from the surface</i>	<i>16.5 mm / 0.65 Inch</i>
<i>Depth</i>	<i>13.5 mm / 0.531 Inch</i>

Images & drawings



Address

WAGO Kontakttechnik GmbH & Co. KG

Hansastr. 27

32423 Minden

Telefon: 0571/887-0

Fax: 0571/887-169

<http://www.wago.com>

© WAGO Kontakttechnik GmbH & Co. KG

Technische Änderungen und Irrtümer vorbehalten.