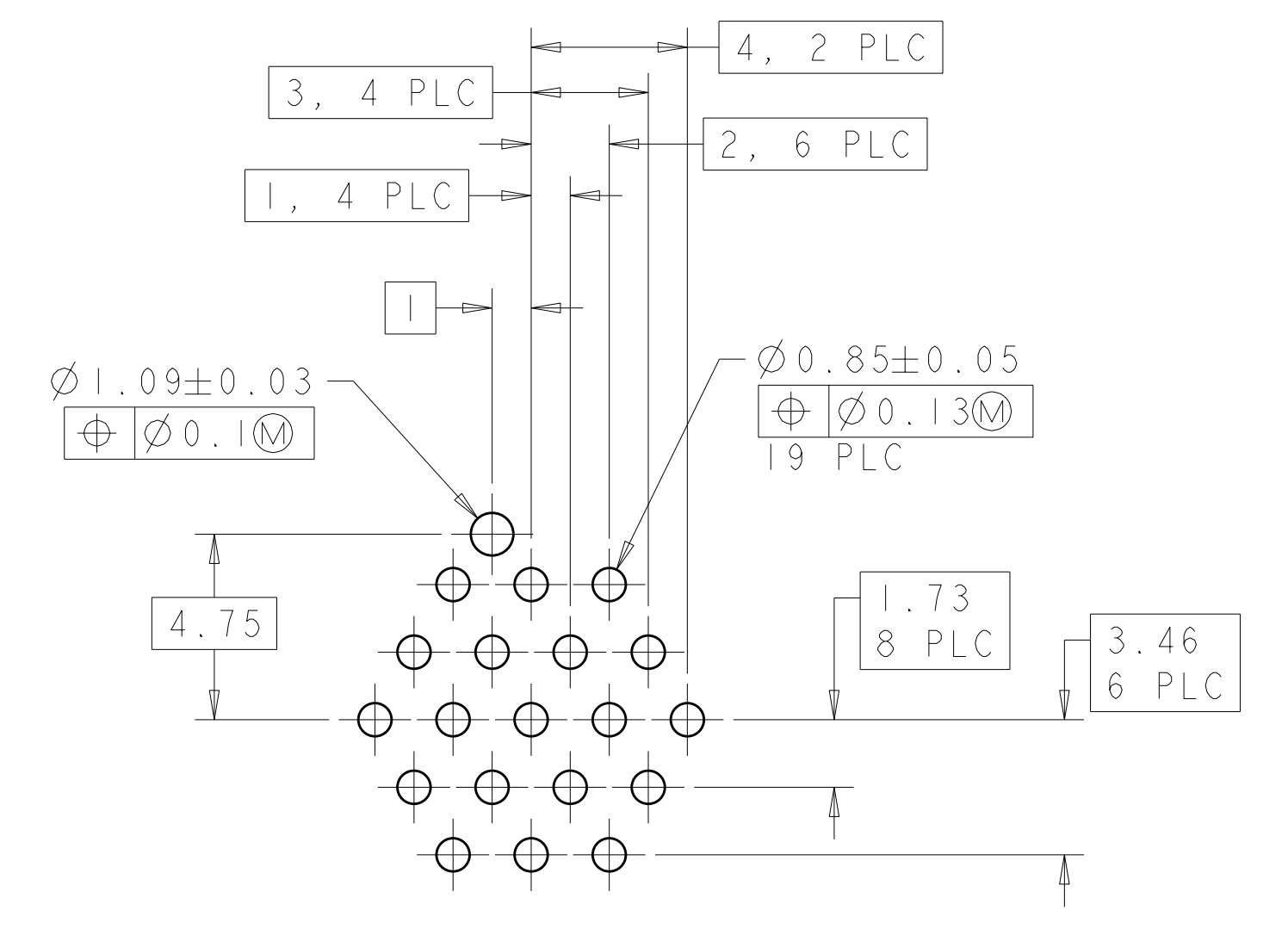
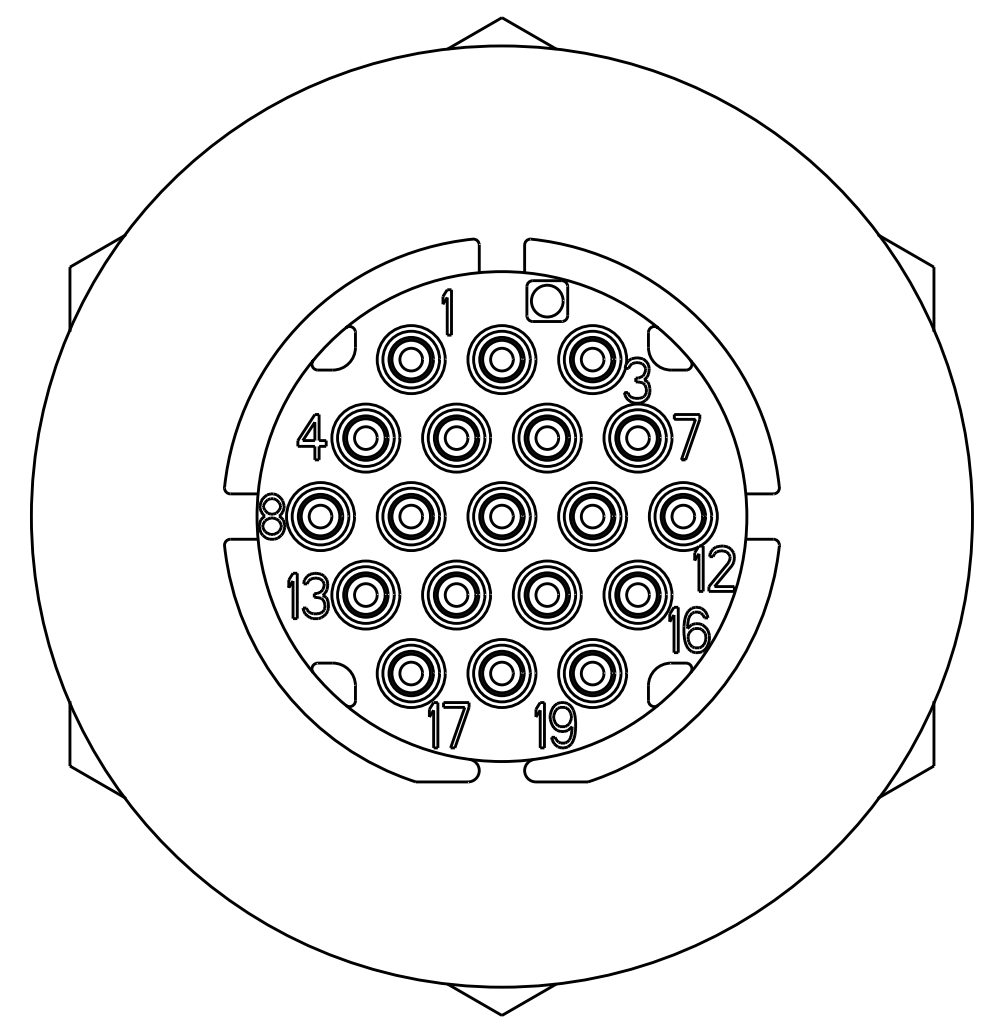
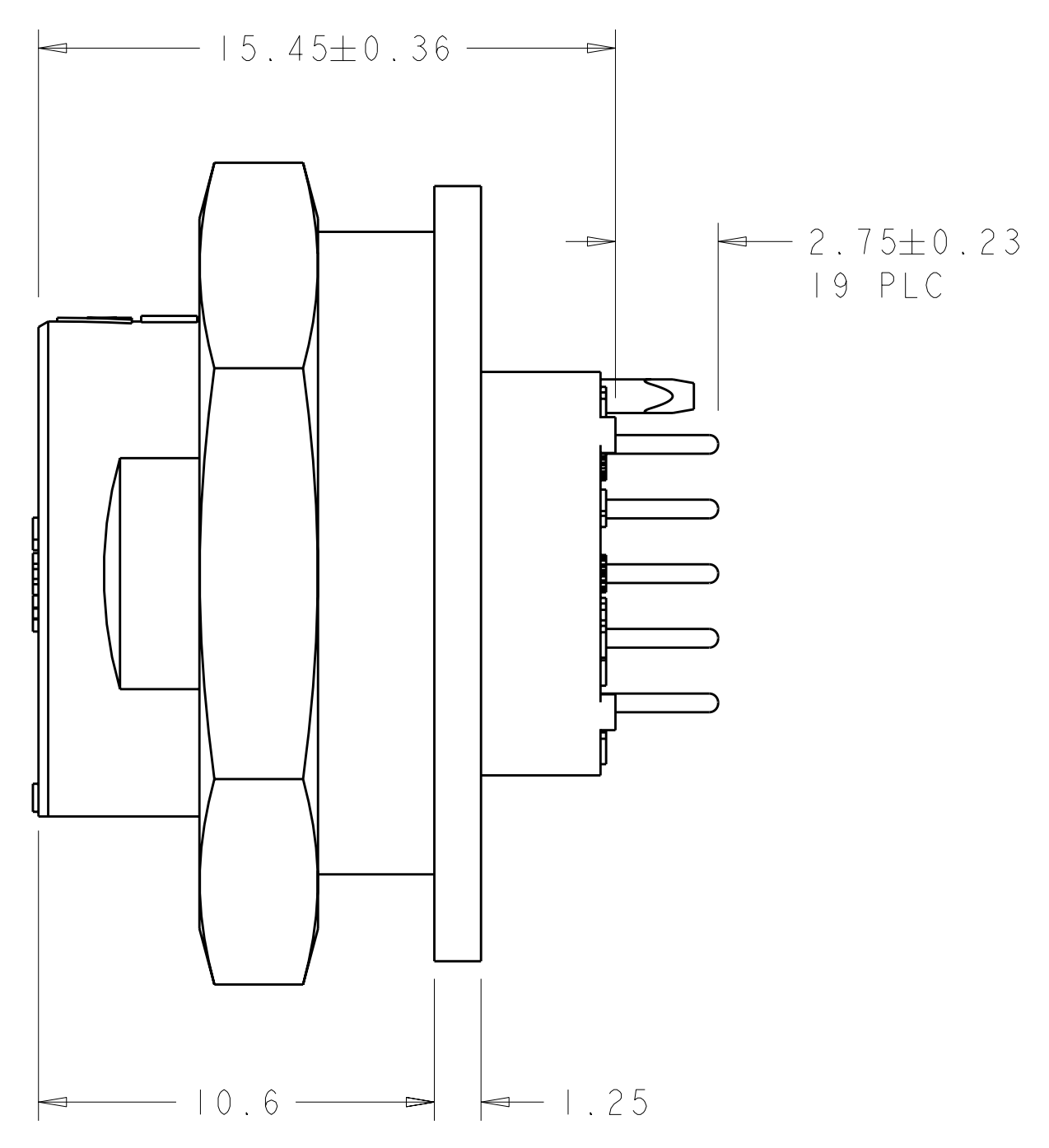
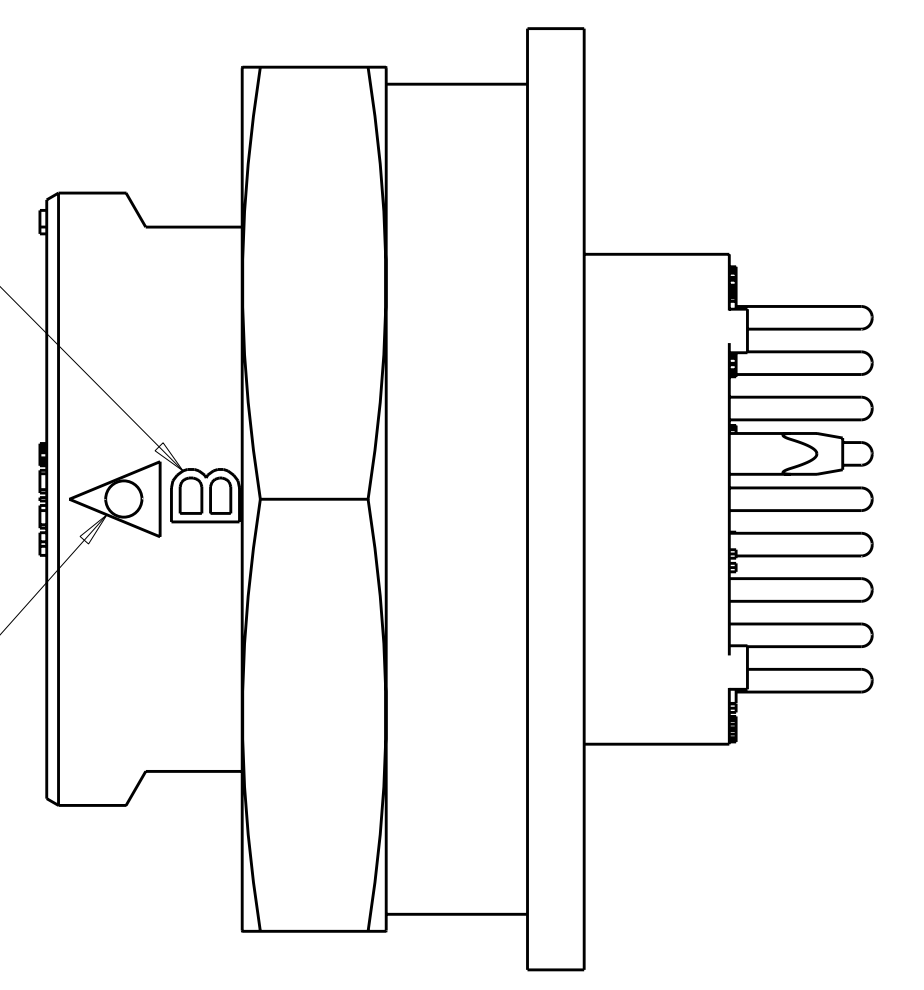


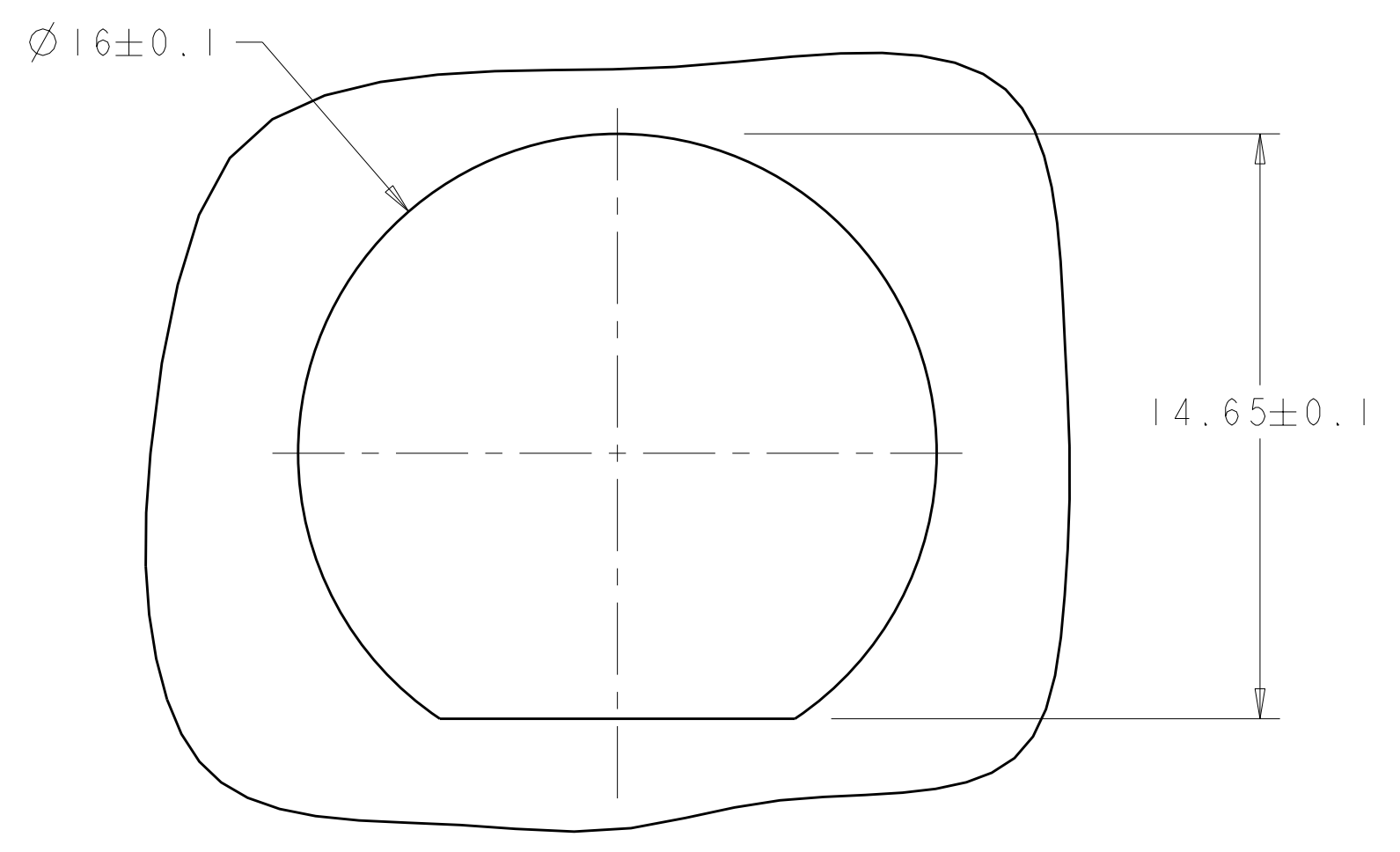
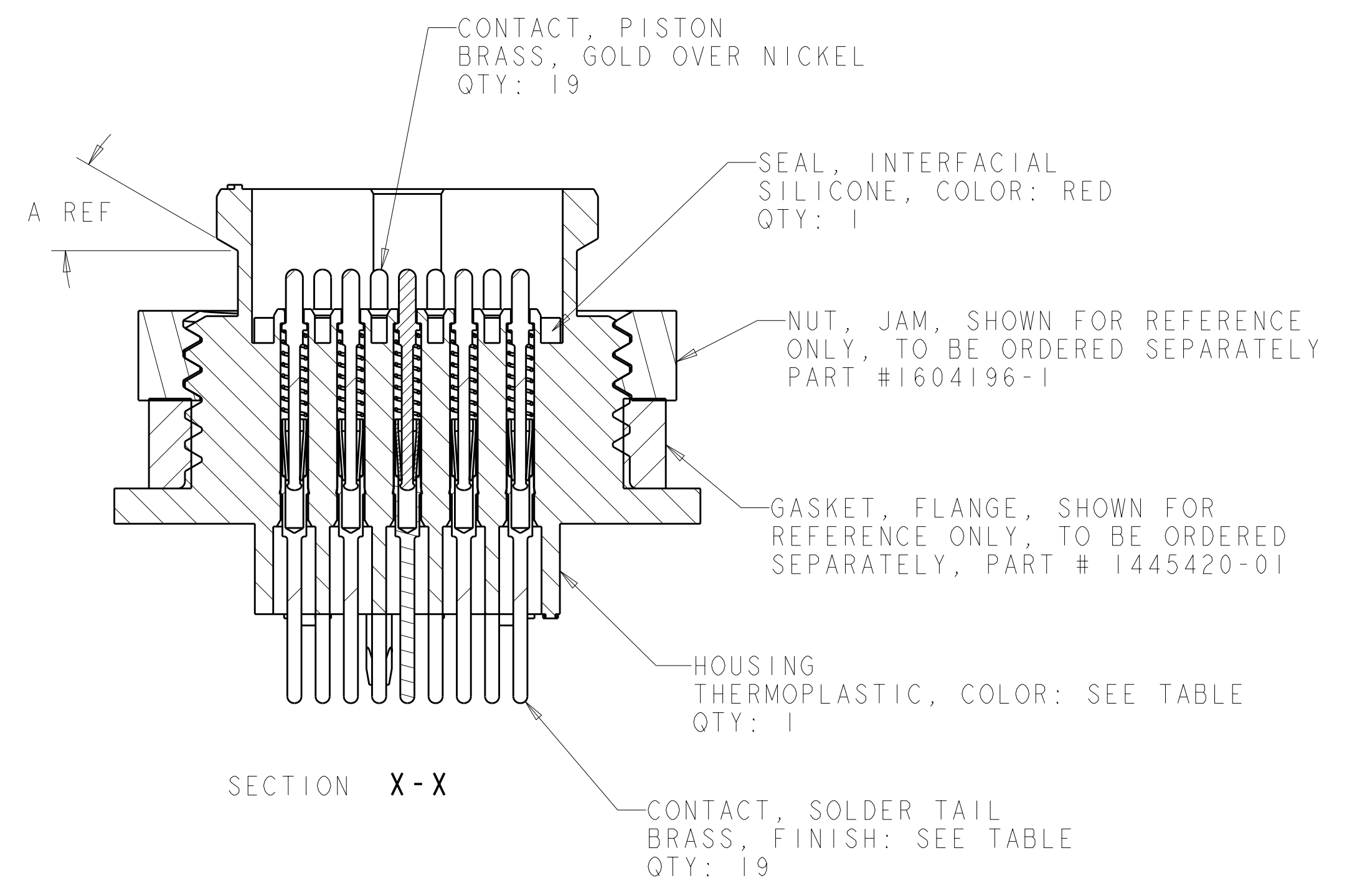
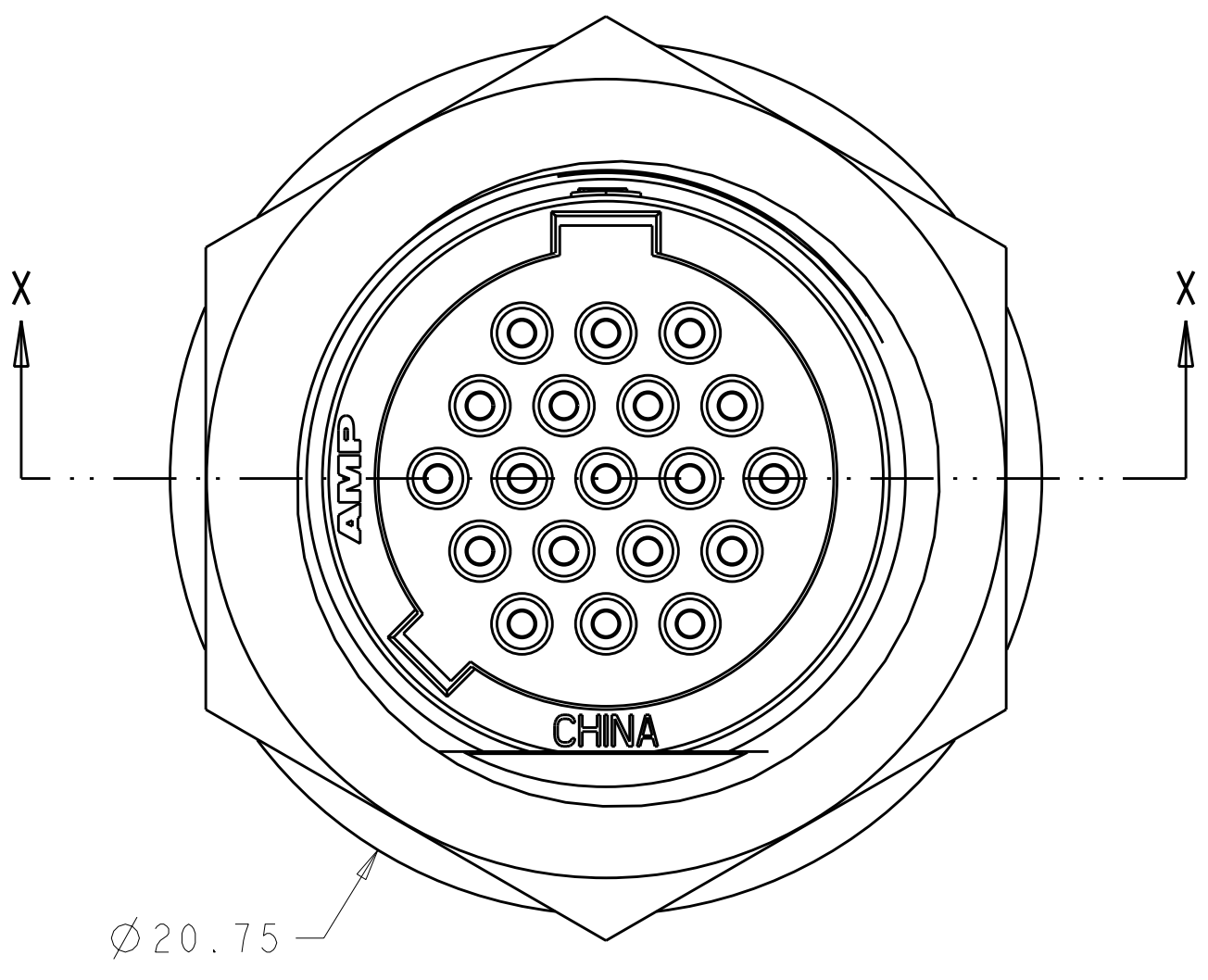
LOC	DIST	REV	DATE	BY	APPD
FT	0	D1	02JAN2001	SW	DC

LATCH IDENTIFIER
 B-BREAKAWAY LATCH
 BREAKAWAY VERSION ONLY,
 MAY BE ORIENTED IN ANY DIRECTION

ALIGNMENT INDICATOR



SUGGESTED PRINTED CIRCUIT BOARD LAYOUT



SUGGESTED PANEL CUTOUT
 3.18 MAX PANEL THICKNESS

DIMENSIONS: mm 		TOLERANCES UNLESS OTHERWISE SPECIFIED: 0 PLC ± 1 PLC ± 2 PLC ±0.13 3 PLC ± 4 PLC ± 5 PLC ± 6 PLC ± 7 PLC ± 8 PLC ± 9 PLC ± 10 PLC ± 11 PLC ± 12 PLC ± 13 PLC ± 14 PLC ± 15 PLC ± 16 PLC ± 17 PLC ± 18 PLC ± 19 PLC ±		DWN SHANE WIESE 22AUG2001 CHK G DOUTY 22AUG2001 APVD H WAKEEM 29JUL2004		Tyco Electronics Harrisburg, PA 17105-3608	
MATERIAL SEE CALLOUT		FINISH SEE CALLOUT		PRODUCT SPEC APPLICATION SPEC WEIGHT CUSTOMER DRAWING		NAME RECEPTACLE ASSEMBLY, 19 POSITION, SPRING PROBE, SOLDER TAIL, FLANGE, VERTICAL, MICRO CPC SIZE CAGE CODE DRAWING NO. RESTRICTED TO A1100779C=1445758	
SCALE 6:1				SHEET 1 OF 2		REV D1	

