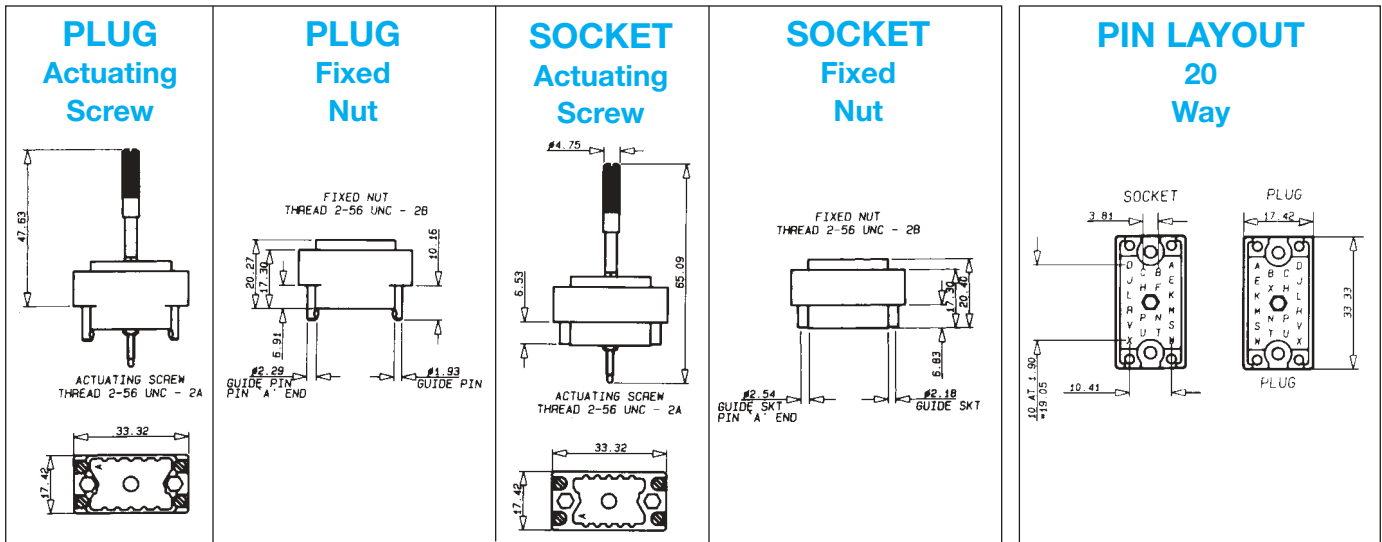


## Series 8016 – Rectangular Connector – 20 Way



### ORDERING CODE



**Contact Termination**

\*000 = Contacts not fitted and ordered separately, see page 23 for full list of options

217 = Solder 0.098" x 2.49mm

218 = Wire Wrap –   
0.025 x 0.050 x 0.567" / 0.64 x 1.27 x 14.4mm

296 = Wire Wrap –   
0.025 x 0.026 x 0.579" / 0.64 x 1.27 x 19.3mm

504 = Solder Tail –

750 = Wire Wrap –   
0.025 x 0.050 x 0.760" / 0.64 x 1.27 x 19.3mm

\*Crimp contacts always ordered separately. See page 23 for details.

### CONNECTOR PLUG AND RECEPTACLE COMBINATIONS

Plug	Receptacle	007/507/607	008/508/608			909/509/609	910/510/610	911/511/611	912/512/612		
		001/501/601	<input checked="" type="checkbox"/>								
002/502/602		<input checked="" type="checkbox"/>									
903/503/603		<input checked="" type="checkbox"/>									
904/504/604		<input checked="" type="checkbox"/>									
905/505/605			<input checked="" type="checkbox"/>								
906/506/606			<input checked="" type="checkbox"/>								

Select variation code combinations marked with square in the table.

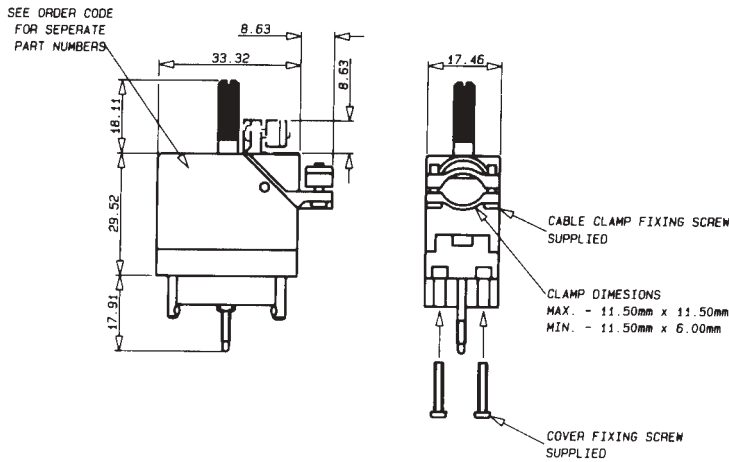
### VARIATION CODE

Insulator Body Type	European Version		USA Versions				Cover and Cable Entrance	Actuating Screw	Fixed Nut
	Grey Polyester		Grey Polyester		Green Polyester				
	Aluminum Cover	No Cover	Cover	No Cover	Cover	No Cover			
Male (Exposed Contacts)	—	001	—	501	—	601	None	Yes	No
	903	002	—	502	—	602	None	No	Yes
	904	—	503	—	603	—	Top*	Yes	No
	905	—	504	—	604	—	Side*	Yes	No
	906	—	505	—	605	—	Top*	No	Yes
Female (Recessed Contacts)	—	007	—	507	—	607	None	No	Yes
	909	008	—	508	—	608	None	Yes	No
	910	—	509	—	609	—	Top*	Yes	No
	911	—	510	—	610	—	Side*	Yes	No
	912	—	511	—	611	—	Top*	No	Yes
	—	—	512	—	612	—	Side*	No	Yes

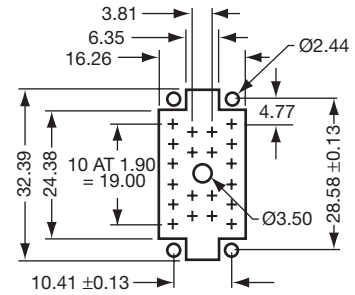
\*These covers should only be used with crimp contacts.

## Series 8016 – Rectangular Connector – 20 Way

### CLAMPING AND COVER DIMENSIONS

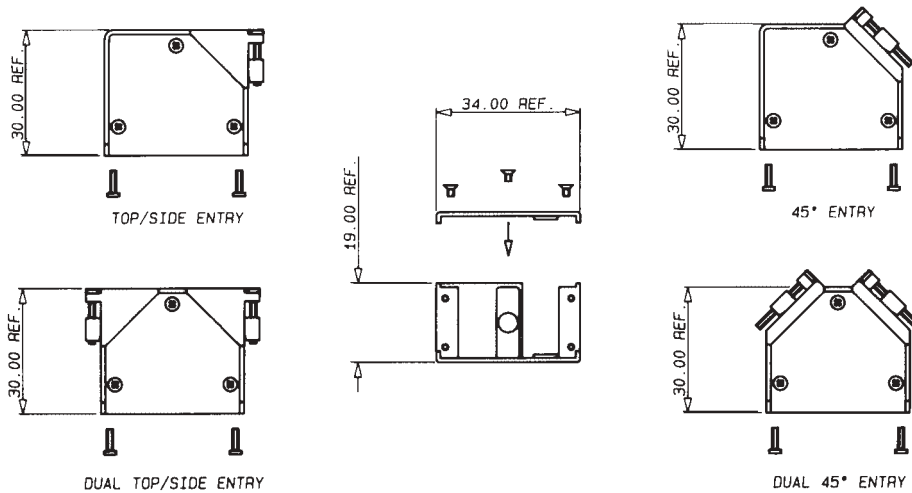


### RECOMMENDED LAYOUT FOR FRONT CHASSIS MOUNTING & PCB LAYOUT



### STANDARD COVERS

Metric Screws European Version	Cover Part Number	Imperial Screws USA Version	Number of Contacts	Cable Entrance	Clamp	
					Description	Size mm (inches)
	30-8016-9829-20-000	30-8016-9829-00-000	20	Side	Standard	11.53 (0.454) Dia.
	30-8016-9831-20-000	30-8016-9831-00-000	20	Top	Standard	11.53 (0.454) Dia.



### REMOVABLE SIDE PLATE COVERS

millimeters (inches)

Cover Part Number	Number of Contacts	Cable Entrance	Description	Clamp	
				Minimum Size	Maximum Size
30-8016-020-000-413	20	Side/Top	Standard	5 x 10 (0.197 x 0.394)	10 x 10 (0.394 x 0.394)
30-8016-020-000-415	20	45°	Standard	5 x 10 (0.197 x 0.394)	10 x 10 (0.394 x 0.394)
30-8016-020-000-423	20	Dual 90° Side/Top	Special	2 - 5 x 10 (0.197 x 0.394)	2 - 10 x 10 (0.394 x 0.394)
30-8016-020-000-425	20	Dual 45° Entry	Special	2 - 5 x 10 (0.197 x 0.394)	2 - 10 x 10 (0.394 x 0.394)