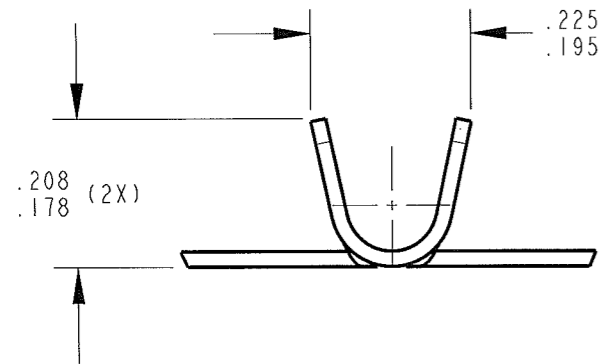
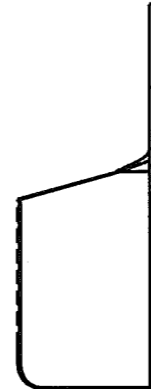
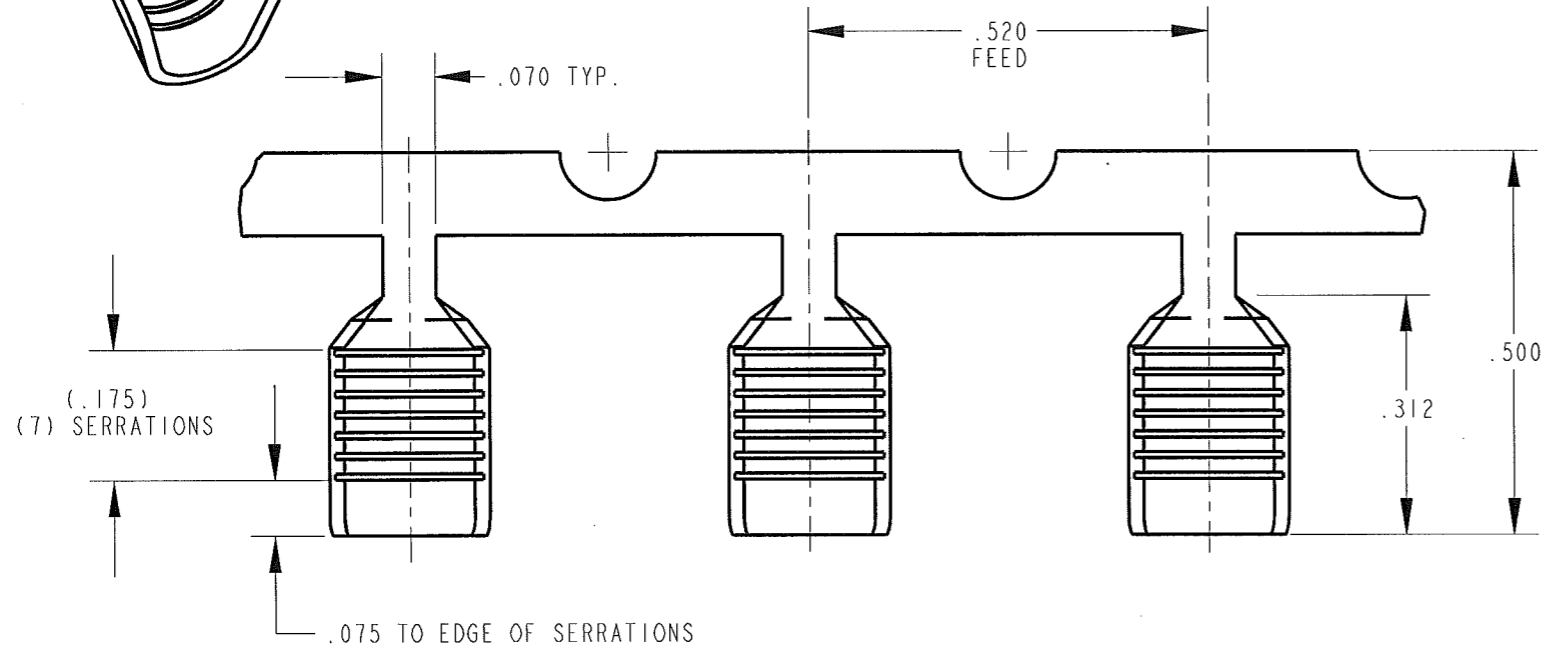
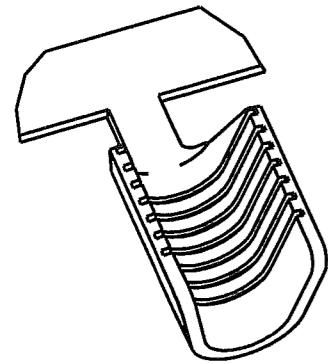


CUSTOMER DRAWING

P/N: 3800S 75/-4

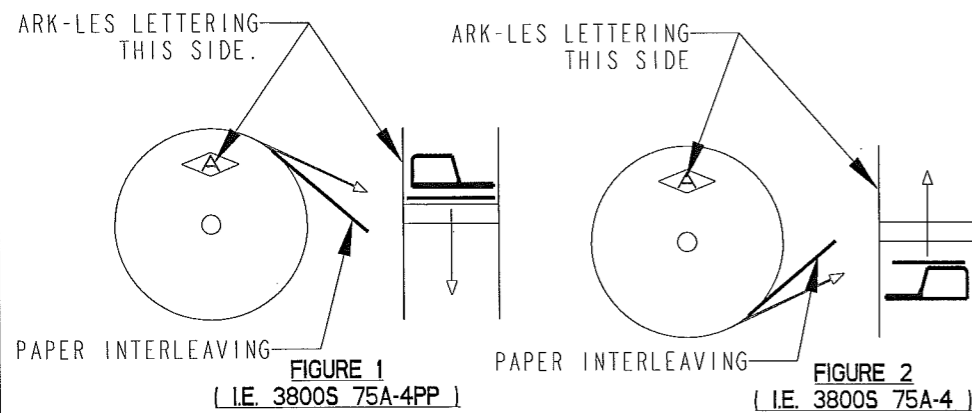
REV
AC

PART NUMBER	MATERIAL	FINISH
3800S 75A-4	.020 THICK BRASS	PRETINNED
3800S 75AB-4	.020 THICK BRASS	NONE
3800S 75AD-4	.020 THICK BRASS	POST-TIN



- NOTES:
- CMA RANGE: 3000 TO 6700
 - FOR PIGTAIL SPLICES USED IN A BENCH APPLICATOR, ADD SUFFIX "PP" TO PART NUMBER (i.e. 3800S 75A-4PP), SEE FIGURE 1 FOR REELING.
 - FOR THROUGH SPLICES USED IN A BENCH APPLICATOR, THE PART NUMBER REMAINS THE SAME AS IN THE TABLE (i.e. 3800S 75A-4). SEE FIGURE 2 FOR REELING.
 - FOR PIGTAIL AND THROUGH SPLICES USED IN A SLIM-LINE AIR PRESS, THE PART NUMBER REMAINS THE SAME AS IN THE TABLE (i.e. 3800S 75A-4). SEE FIGURE 2 FOR REELING.
 - PAPER INTERLEAVING ADDED TO REDUCE TANGLING IN REELS.
 - RECOMMENDED WIRE COMBINATIONS:
 - (1) STRANDED WIRE
 - (2) MANGET WIRES
 - MAGNET WIRES ARE TO BE PLACED IN SPLICE FIRST. STRANDED WIRES ARE TO BE PLACED ON TOP OF OR ADJACENT TO MAGNET WIRE.
 - REFER TO CRIMP HEIGHT FOR APPLICATION DATA.

ARK-LES
UNCONTROLLED



PRINT DIST.	PROD. REL.	6/8/1978	CHK'D	TOLERANCES UNLESS OTHERWISE SPECIFIED	 STOUGHTON, MA
DEPT #	QUOTE REL.		DD 11/17/06	DECIMALS ±.010	
ENG X	DRAWN BY D.O'NEILL 11/01/06		APP.	METRIC ±0.25mm	ORIGINAL IF RED PART NAME CUSTOMER DRAWING SPLICE TERMINAL
SALES	SUPERSEDES DWG. DATED: 1/10/1995		DT 11-17-08	ANGLES ±1°	
STO X	SCALE 4:1	DO NOT SCALE PRINT		MATERIAL: SEE TABLE	CAD#: 3800S_75-4-REVAC_CUST
RAL	AC REV/REDRWN ECR# S000127		11/01/06	FINISH: SEE TABLE	P/N: 3800S 75/-4
JZ	REV.	DESCRIPTION	DATE	DR.	3RD ANGLE PROJECTION DWG SIZE B
CHINA					REV AC