

Part Number	Contact Area Plating	Insulator Color
KUSB-AS-2-N-WHT	Gold Flash (standard)	White
KUSB-AS-2-N-WHT-30	30u" Gold (-30 option)	
KUSB-AS-2-N-BLK	Gold Flash (standard)	Black
KUSB-AS-2-N-BLK-30	30u" Gold (-30 option)	

Materials and Finish

Shell: brass, 0.3mm thick,
120u" tin-lead plated over
50u" copper underplate

Insulator: PBT thermoplastic,
UL94V-0 rated, black or white color

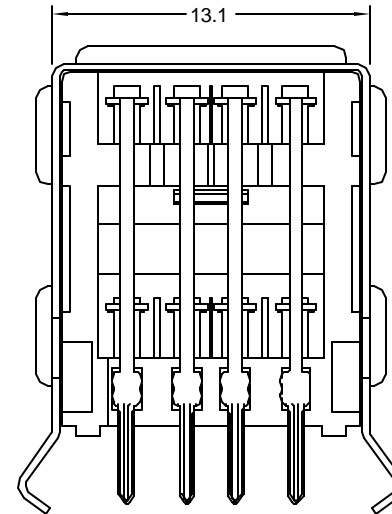
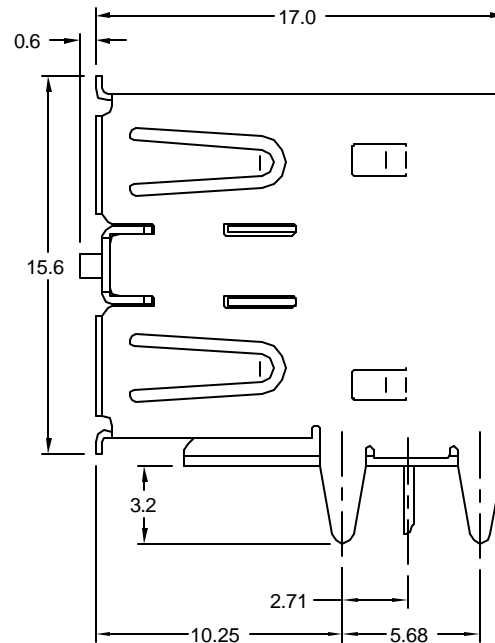
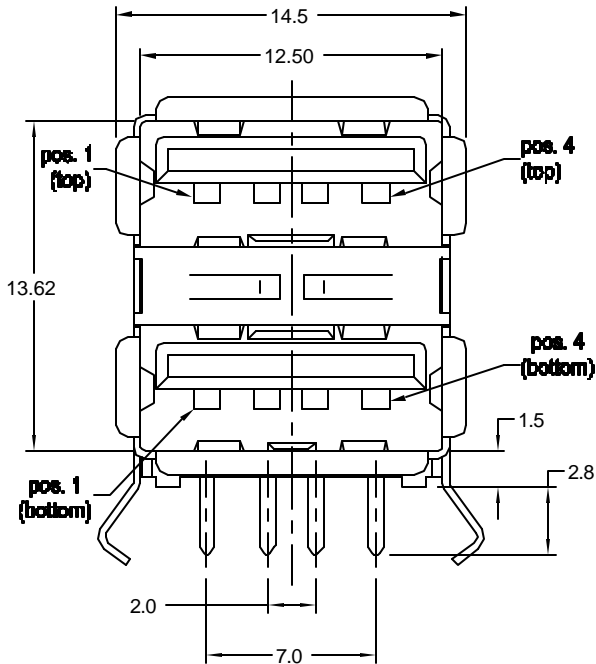
Contact Material: phosphor bronze

Contact Plating Options:
Standard: gold flash on contact area,
120u" tin-lead on soldertails, all over
50u" nickel underplate

-30 Option: 30u" gold on contact area,
120u" tin-lead on soldertails, all over
50u" nickel underplate

Specifications:

- Rated Voltage: 30V AC (rms)
- Contact Current Rating: 1A max.
- Contact Resistance: 30 milliohms max.
- Insulation Resistance: 1000 megohms min.
- Dielectric Withstanding: 500V AC
- Insertion Force: 3.57kg max.
- Extraction Force: 1.02kg min.
- Operating Temperature: -25°C to +80°C
- Durability: 1500 mating cycles min.



Tolerances
X.X ± 0.35
X.XX ± 0.25
Unless Stated
Otherwise



REVISION	DATE	DESCRIPTION	DRAWN BY	REV CHECK BY	UNITS
B1	3/30/01	Ref ECD 01-034	C. Leiva	C. Leiva	mm
C1	6/25/02	Ref ECD 02-059	REVISED BY	REV CHECK DATE	DATE
C2	6/24/04	ECD# 04-029	H. MA	6/25/04	9/2/97

KUSB-AS-2-N-xxx

Stacked USB A Type Jack

Through Hole, Right Angle

