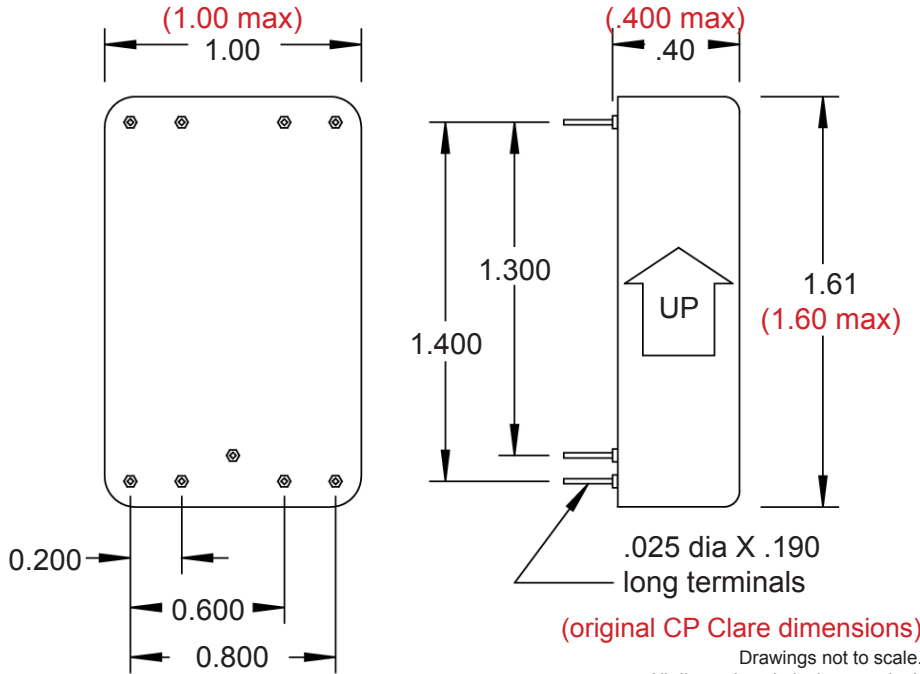


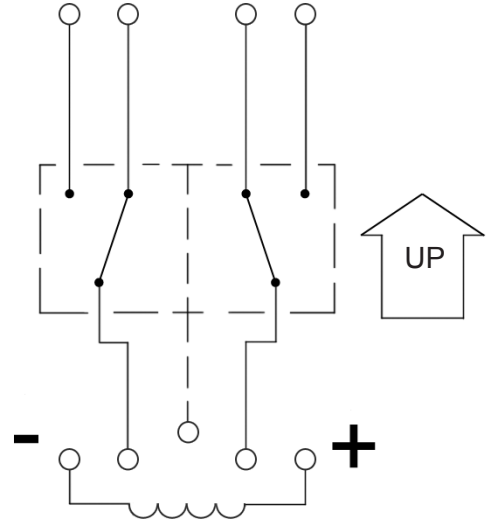
Part Number: HGJ2MT-54211-T00

Magnetic Reed Relay - Two pole - Form C - 48 VDC - Mercury Wetted Switches
Product Data Sheet

DIMENSIONS



CIRCUIT DIAGRAM



TERMINALS / TOLERANCES

Diameter: 0.025 .XXX = ± 0.010
 Length: 0.190 .XX = ± 0.020

FEATURES

- Resistant to Ambient Environmental Conditions
- Case Material : Metal
- Mechanical Stress Resistant
- Antivibration Feature
- Magnetic and Electrostatic Shield

SPECIFICATION

Maximum Switching Power	VA/Watts	100
Maximum Switching Current	Amps AC/DC	2.0
Maximum Switching Voltage	Volts DC Peak	500
Breakdown Voltage	Volts AC	1000
Coil Resistance (+/- 10% @25°C)	Ohms	5300
Nominal Coil Voltage	VDC	48
Maximum Coil Voltage	VDC	135
Pullin Voltage MAX	VDC	25.0
Dropout Voltage MIN	VDC	5.3
Dielectric	coil / case	1000 VAC
	coil / cont	1000 VAC
	cont / cont	1000 VAC

As part of the company policy of continued product improvement, specifications may change without notice. Our sales office will be pleased to help you with the latest information on this product range and the details of our full design and manufacturing service. All products are supplied to our standard conditions of sale unless otherwise agreed in writing.

Phone: (1) 973 777 6900

www.comus-intl.com

Fax: (1) 973 777 8405