

# 16 SDL RND PLUG ASSY 50 SERIES ✓ ACTIVE

## AMPLIMITE

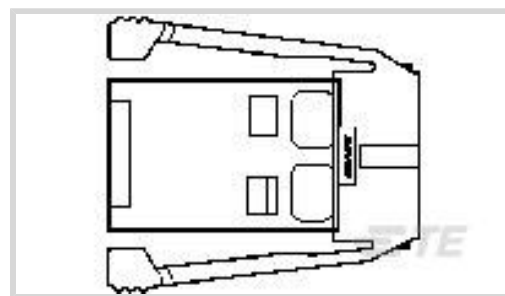
TE Part # 1-520424-6

TE Internal #: 1-520424-6

[View on TE.com >](#)



Connectors > Audio & Video Connectors > Shielded Data Link > SDL Connectors



Connector Style: **Plug**

Number of Conductors: **16**

Cable Type: **Round**

Wire Size: **.12 – .15 mm<sup>2</sup>, .205 mm<sup>2</sup>**

### Features

#### Product Type Features

Product Type	Connector
Receptacle Configuration	Standard
Connector Style	Plug
Cable Type	Round
Connector System	Cable-to-Board
Connector & Contact Terminates To	Wire & Cable

#### Configuration Features

Keying	A
Number of Conductors	16
Number of Positions	16

#### Body Features

Shield Plating Material	Tin
Shield Plating Finish	Bright
Shield Material	Carbon Steel

#### Contact Features

Contact Mating Area Plating Material	Gold
Contact Mating Area Plating Thickness	50 μin
Contact Base Material	Copper Alloy
Contact Current Rating (Max)	1.5 A

#### Mechanical Attachment



PCB Mount Retention	Without
---------------------	---------

Connector Mounting Type	Cable Mount (Free-Hanging)
-------------------------	----------------------------

### Housing Features

Housing Color	Smoke Gray
---------------	------------

Housing Material	Polycarbonate GF
------------------	------------------

Centerline (Pitch)	1.27 mm[.05 in]
--------------------	-----------------

### Dimensions

	.045 – .05 in[1.14 – 1.27 in]
--	-------------------------------

Wire Size	.12 – .15 mm <sup>2</sup> , .205 mm <sup>2</sup>
-----------	--

### Usage Conditions

Operating Temperature Range	-20 – 80 °C[-4 – 176 °F]
-----------------------------	--------------------------

### Operation/Application

Circuit Application	Signal
---------------------	--------

### Industry Standards

Agency/Standard	CSA, UL
-----------------	---------

UL Flammability Rating	UL 94V-2
------------------------	----------

### Other

Comment	Plug assemblies for round cable need a top shield, bottom shield, boot, and ferrule.
---------	--

## Product Compliance

[For compliance documentation, visit the product page on TE.com>](#)

EU RoHS Directive 2011/65/EU	Compliant
------------------------------	-----------

EU ELV Directive 2000/53/EC	Compliant
-----------------------------	-----------

China RoHS 2 Directive MIIT Order No 32, 2016	No Restricted Materials Above Threshold
---	---

EU REACH Regulation (EC) No. 1907/2006	Current ECHA Candidate List: JAN 2019 (197) Not Yet Reviewed
--	--

Halogen Content	Not Low Halogen - contains Br or Cl > 900 ppm.
-----------------	--


Solder Process Capability	Not applicable for solder process capability
---------------------------	--

#### Product Compliance Disclaimer

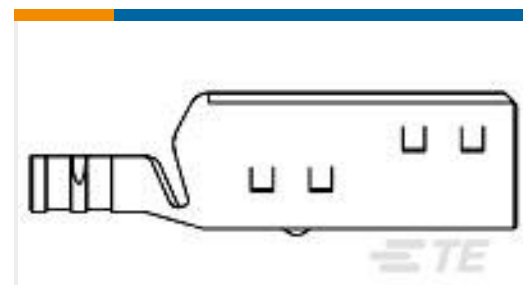
This information is provided based on reasonable inquiry of our suppliers and represents our current actual knowledge based on the information they provided. This information is subject to change. The part numbers that TE has identified as

EU RoHS compliant have a maximum concentration of 0.1% by weight in homogenous materials for lead, hexavalent chromium, mercury, PBB, PBDE, DBP, BBP, DEHP, DIBP, and 0.01% for cadmium, or qualify for an exemption to these limits as defined in the Annexes of Directive 2011/65/EU (RoHS2). Finished electrical and electronic equipment products will be CE marked as required by Directive 2011/65/EU. Components may not be CE marked. Additionally, the part numbers that TE has identified as EU ELV compliant have a maximum concentration of 0.1% by weight in homogenous materials for lead, hexavalent chromium, and mercury, and 0.01% for cadmium, or qualify for an exemption to these limits as defined in the Annexes of Directive 2000/53/EC (ELV). Regarding the REACH Regulations, TE's information on SVHC in articles for this part number is still based on the European Chemical Agency (ECHA) 'Guidance on requirements for substances in articles' (Version: 2, April 2011), applying the 0.1% weight on weight concentration threshold at the finished product level. TE is aware of the European Court of Justice ruling of September 10th, 2015 also known as O5A (Once An Article Always An Article) stating that, in case of 'complex object', the threshold for a SVHC must be applied to both the product as a whole and simultaneously to each of the articles forming part of its composition. TE has evaluated this ruling based on the new ECHA "Guidance on requirements for substances in articles" (June 2017, version 4.0) and will be updating its statements accordingly.

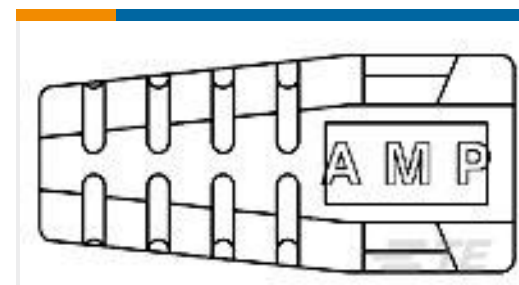
## Customers Also Bought



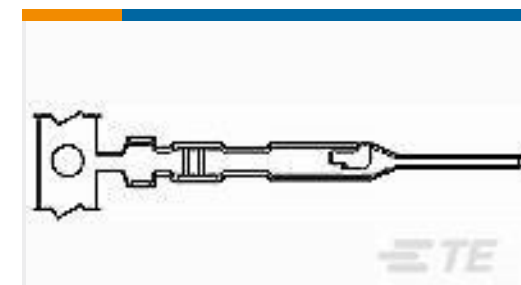
TE Part #520466-1  
16 SDL RND SHIELD, TOP,  
BULK PKG



TE Part #520467-1  
16 SDL RND SHIELD, BTM,  
BULK PKG



TE Part #520854-1  
16 SDL RND PLUG BOOT,  
BULK PKG



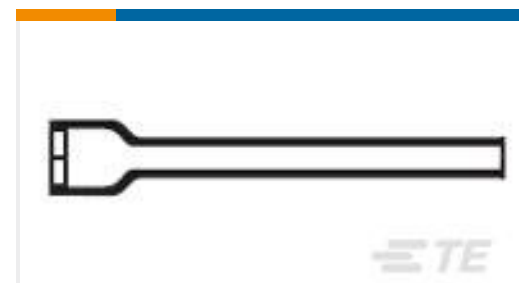
TE Part #104506-4  
MTE PIN 28-32 AWG PLTD



TE Part #2-323932-2  
T-SHIELD, SN, BROWN,  
085-.095



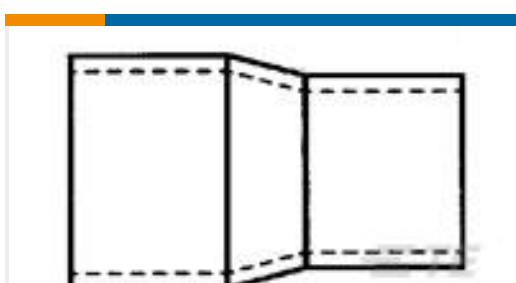
TE Part #941151-000  
202F232-51-07/164-0



TE Part #705755-000  
202F242-51-22/164-0



TE Part #520440-1  
16 SDL FERRULE, BULK  
PKG



TE Part #520441-1  
16 SDL FERRULE, BULK  
PKG



TE Part #CB5069-000  
BSTS-30X4NM

## Documents

### Product Drawings

16 SDL RND PLUG ASSY 50 SERIES

English

### CAD Files

3D PDF



3D

Customer View Model

[ENG\\_CVM\\_CVM\\_1-520424-6\\_AH.2d\\_dxf.zip](#)

English

Customer View Model

[ENG\\_CVM\\_CVM\\_1-520424-6\\_AH.3d\\_igs.zip](#)

English

Customer View Model

[ENG\\_CVM\\_CVM\\_1-520424-6\\_AH.3d\\_stp.zip](#)

English

---

**Product Specifications**

[Application Specification](#)

English

---

**Instruction Sheets**

[Instruction Sheet \(U.S.\)](#)

English

[Instruction Sheet \(U.S.\)](#)

English

[Crimping Die Assemblies 58195-1, 58195-2, 58195-3, and 58195-6](#)

English