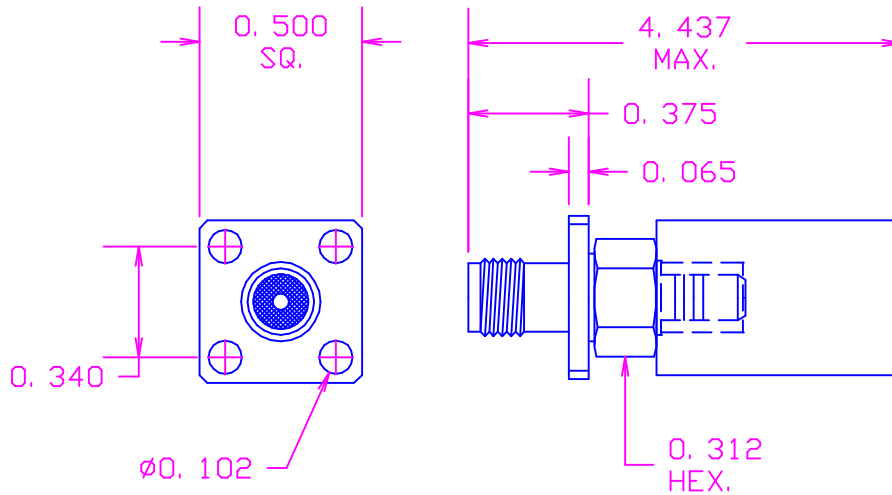


DATE	SYM	REVISION RECORD	AUTH.	DR.	CK.
11/2/98	-	ISSUED		NT	GH



MATERIAL: BODY- CORROSION RESISTANT STEEL
PER QQ-S-763

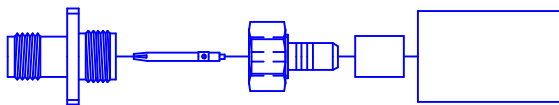
CONTACT- BERYLLIUM COPPER PER ASTM B196
INSULATION- PTFE PER ASTM D1710

FINISH: CONTACT- .0001"MIN. GOLD PER MIL-G-45204
BODY- GOLD PLATED

IMPEDANCE: 50 OHMS REF.

CABLE: RG180, 195

ACTUAL SIZE



TOLERANCES REF. ONLY	CONCORD ELECTRONICS CORPORATION		
DECIMAL + -	P/N	SCALE	30 GREAT JONES ST. NEW YORK N. Y. 10012
FRACTIONAL + -	TITLE SMA JACK, FLANGE MOUNT		
+ -	DATE 10/26/98	DRAWING NUMBER 800-1139-83	