



Series 508 Open Frame Collet Socket w/Wire Wrap Pins

FEATURES

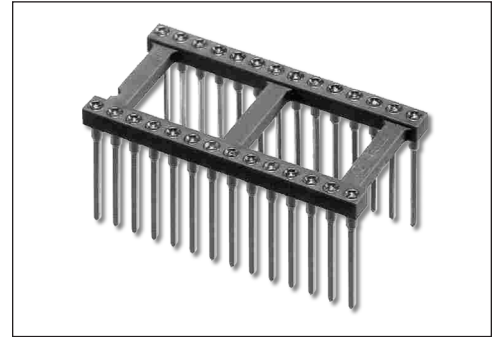
- Open-frame allows for more efficient utilization of board space and better cooling.
- 2- and 3-level wire wrap pins available.
- Compatible with automatic insertion equipment.
- Side-to-side and end-to-end stackable.

GENERAL SPECIFICATIONS

- BODY MATERIAL: black UL 94V-0 glass-filled 4/6 Nylon
- PIN BODY: Brass 360 1/2-hard per UNS C36000 ASTM B16/B16M-05
- PIN BODY PLATING: either 10µ [0.25µ] min. Au per MIL-G-45204 or 200µ [5.08µ] min. 93/7 Sn/Pb per ASTM B545 or 200µ [5.08µ] min. Sn per ASTM B545 Type 1 over 100µ [2.54µ] min. Ni per SAE AMS-QQ-N-290B
- 4-FINGER COLLET CONTACT: BeCu per UNS C17200 ASTM B194-08
- CONTACT PLATING: 30µ [0.76µ] min. Au per MIL-G-45204 over 50µ [1.27µ] min. Ni per SAE AMS-QQ-N-290B
- CONTACT CURRENT RATING: 3 amps
- OPERATING TEMPERATURE: -67°F to 221°F [-55°C to 105°C] Sn; -67°F to 257°F [-55°C to 125°C] Au
- INSERTION FORCE: 180g/pin, based on 0.018 [0.46] dia. test lead
- WITHDRAWAL FORCE: 90g/pin, based on 0.018 [0.46] dia. test lead
- NORMAL FORCE: 140g/pin, based on 0.018 [0.46] dia. test lead
- ACCEPTS LEADS: 0.015-0.025 [0.38-0.64] dia., 0.110-0.160 [2.79-4.06] long

MOUNTING CONSIDERATIONS

- SUGGESTED PCB HOLE SIZE: 0.045 ±0.002 [1.14 ±0.05] dia



CUSTOMIZATION: In addition to the standard products shown on this page, Aries specializes in custom design and production. Special materials, platings, sizes, and configurations can be furnished, depending on the quantity. **NOTE:** Aries reserves the right to change product general specifications without notice.

ORDERING INFORMATION

XX-X 508 X X

No. of Pins ———
see Table

Row-to-Row Spacing ———
3: "Y" = 0.300 [7.62]
4: "Y" = 0.400 [10.16]
6: "Y" = 0.600 [15.24]
9: "Y" = 0.900 [22.86]

Series ———

Plating

0 = Au Collet, Sn Shell
0TL = Au Collet, Sn/Pb Shell
1 = Au Collet, Au Shell

Wire Wrap Level

2 = 2-level
3 = 3-level

ALL DIMENSIONS: INCHES [MILLIMETERS]

ALL TOLERANCES: ±0.005 [0.13] UNLESS OTHERWISE SPECIFIED

"W" (# PINS PER ROW) x 0.100 [2.54]

"X" (# PINS PER ROW -1) x 0.100 [2.54]

OTHER COLLET PINS AVAILABLE, CONSULT...

[Data Sheet 12016](#) FOR SOLDER PIN TAILS

[Data Sheet 12018](#) FOR SURFACE MOUNT PINS

[Data Sheet 12026](#) FOR OPEN FRAME SOLDER PIN TAILS

[Data Sheet 12027](#) for OPEN FRAME WIRE WRAP PINS

CONSULT FACTORY FOR OTHER SIZES AND CONFIGURATIONS



ARIES
ELECTRONICS, INC.

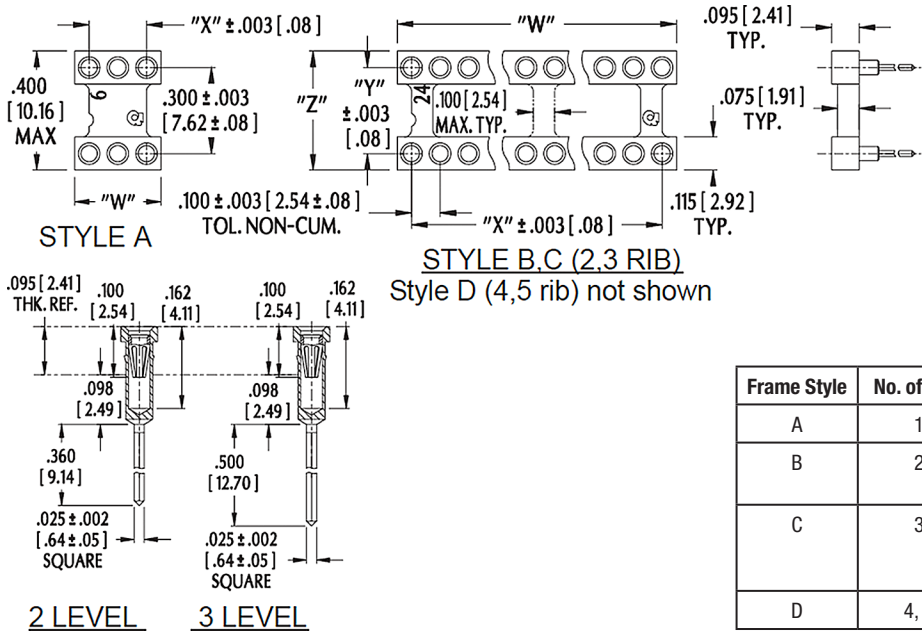
Bristol, PA 19007-6810 USA
TEL (215) 781-9956 • FAX (215) 781-9845
WWW.ARIESELEC.COM • INFO@ARIESELEC.COM



12017
1 of 2
Rev. AA



Series 508 Open Frame Collet Socket w/Wire Wrap Pins



Frame Style	No. of Ribs	Centers "Y"	Dim. "Z"	Available Sizes
A	1	0.300 [7.62]	0.400 [10.16]	6
B	2	0.300 [7.62] 0.400 [10.16]	0.400 [10.16] 0.500 [12.70]	8, 14, 16, 18, 20, 24 20, 22
C	3	0.300 [7.62] 0.400 [10.16] 0.600 [15.24]	0.400 [10.16] 0.500 [12.70] 0.700 [17.78]	28 24 24, 28, 32, 40, 48
D	4, 5	0.900 [22.86]	1.000 [25.40]	50, 64



Bristol, PA 19007-6810 USA
 TEL (215) 781-9956 • FAX (215) 781-9845
 WWW.ARIESELEC.COM • INFO@ARIESELEC.COM



PRINTOUTS OF THIS DOCUMENT MAY BE OUT OF DATE AND SHOULD BE CONSIDERED UNCONTROLLED

12017
 2 of 2
 Rev. AA