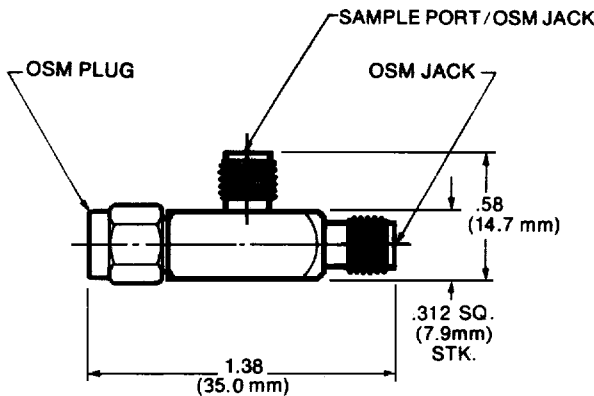


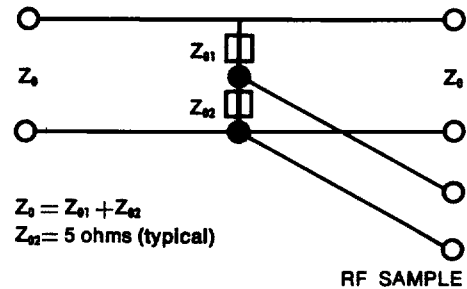
- Bilateral Sampling
- Inexpensive Coupler
- Broadband Operation
- 50 Ohm Mainline Impedance
- Meets MIL-E-5400 and MIL-E-16400 Environments

This series of RF Samplers provides a convenient bilateral means of sampling RF power in a 50 ohm transmission line. Main transmission line connectors are OSM Plug and OSM Jack. The coupled port is fitted with an OSM Jack connector.



Weight: 35 oz. (9.4g)
Finish: Gold Plate

NOTE: All dimensions are $\pm .020$.



SPECIFICATIONS

PART NO.	MODEL NO.	FREQUENCY RANGE (GHz)	COUPLING (dB)	COUPLING VARIATION (dB)	MAIN LINE VSWR	MAXIMUM INSERTION LOSS (dB)
2049-6010-00	203836-10	1.0-12.4	10	± 1.5	1.50	1.0
2049-6020-00	203836-20	1.0-12.4	20	± 2.0	1.35	0.5

Maximum Input Power: 5W CW, 1kW peak.
Temperature Range: -54 to $+95^{\circ}\text{C}$

Due to the low impedance of the sample port, a matched load should be used to assure flat response.