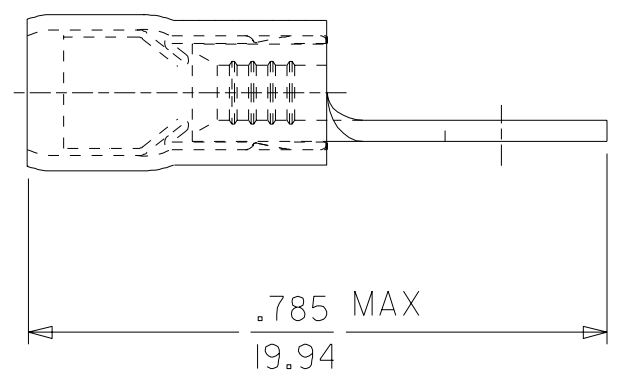
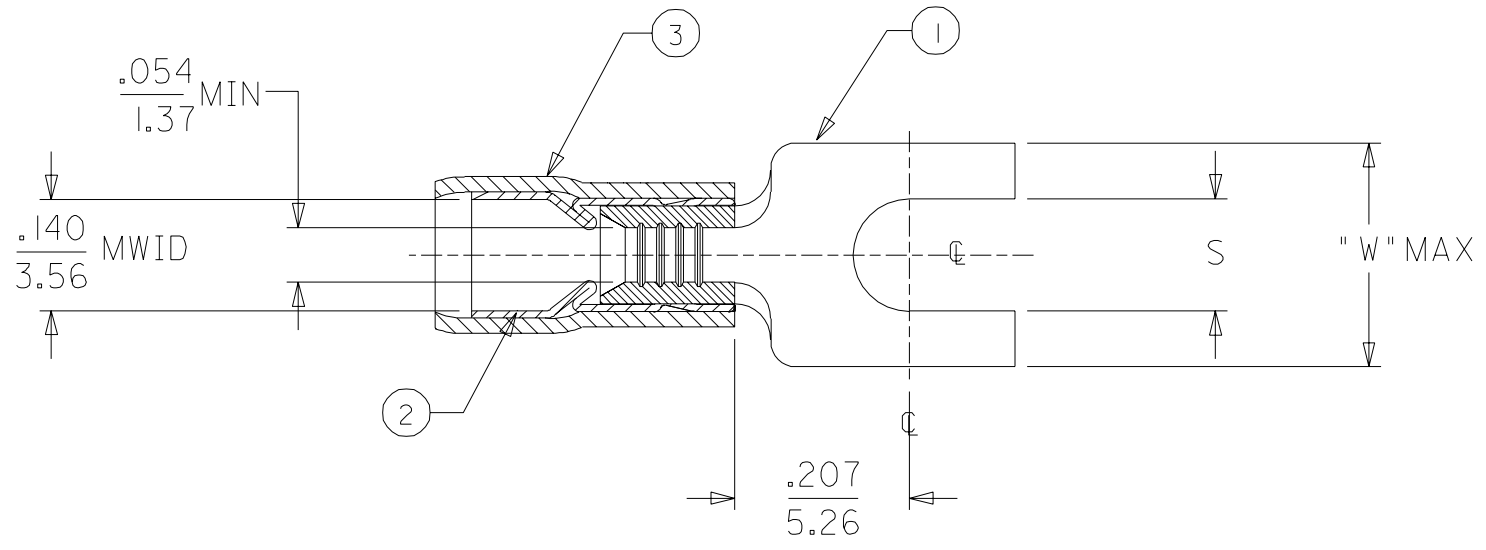
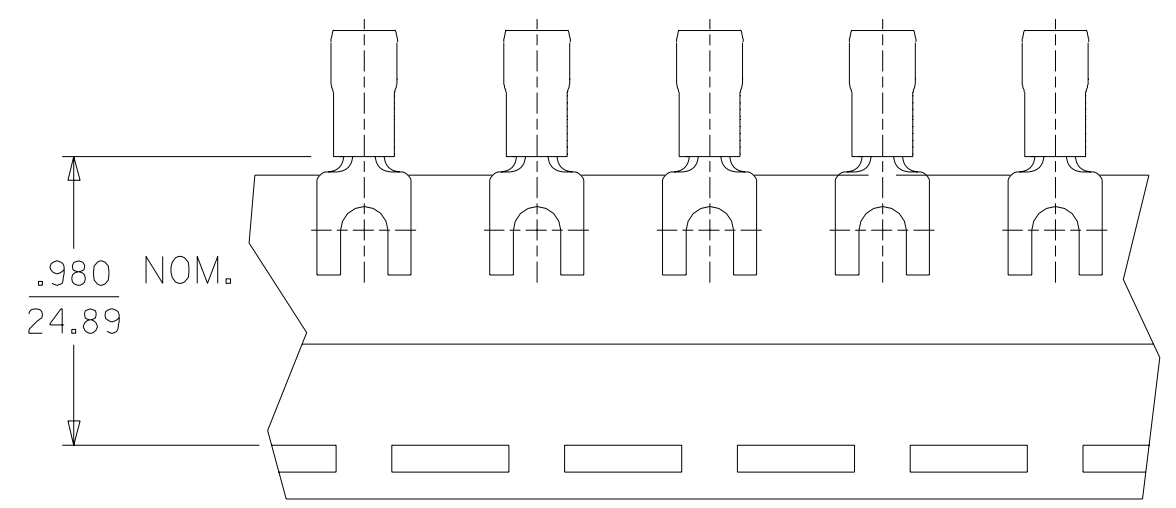


MATERIAL NUMBER	ALTERNATE NUMBER	STUD SIZE	"S"	"W" MAX	PACKAGING
191390020	AA-891-06	6	.146 (3.71)	.430 (10.92)	LOOSE PIECE
191390022	AA-891-08	8	.173 (4.39)	.430 (10.92)	
191390024	AA-891-10	10	.198 (5.02)	.430 (10.92)	
191390026	AA-894-06	6	.146 (3.71)	.385 (9.78)	
191390028	AA-894-08	8	.173 (4.39)	.385 (9.78)	
191390030	AA-894-10	10	.198 (5.02)	.385 (9.78)	TAPE MOUNTED
191390032	AA-897-04	4	.119 (3.02)	.335 (8.51)	
191390034	AA-897-06	6	.146 (3.71)	.335 (8.51)	
191390036	AA-897-08	8	.173 (4.39)	.335 (8.51)	
191390021	AA-891-06T	6	.146 (3.71)	.430 (10.92)	
191390023	AA-891-08T	8	.173 (4.39)	.430 (10.92)	
191390025	AA-891-10T	10	.198 (5.02)	.430 (10.92)	
191390027	AA-894-06T	6	.146 (3.71)	.385 (9.78)	
191390029	AA-894-08T	8	.173 (4.39)	.385 (9.78)	
191390031	AA-894-10T	10	.198 (5.02)	.385 (9.78)	
191390033	AA-897-04T	4	.119 (3.02)	.335 (8.51)	
191390035	AA-897-06T	6	.146 (3.71)	.335 (8.51)	
191390037	AA-897-08T	8	.173 (4.39)	.335 (8.51)	



NOTES:
 1. MATERIAL: COPPER .031 THICK
 PLATING: ELECTROPLATE TIN
 2. FERRULE: TIN-PLATED BRASS
 3. INSULATION: RED NYLON
 4. MWID=MAXIMUM WIRE INSULATION DIA.
 5. ALL DIMENSIONS IN INCHES/(MM).

CUSTOMER DRAWING

A	REDRAWN TO CAD ETC2001-0231 00/12/15 EDB
LTR.	REVISIONS

DIMENSIONS SHOWN (METRIC) INCH		REVISE ONLY ON CAD SYSTEM																			
UNLESS OTHERWISE SPECIFIED TOLERANCES: ANGULAR ± 1/2°		TITLE BLOCK SPADE TONGUE TERMINAL 22-18 AWG AVIKRIMP, 800-SERIES																			
<table border="1"> <thead> <tr> <th></th> <th>INCH</th> <th>METRIC</th> </tr> </thead> <tbody> <tr> <td>3 PLACE</td> <td>± .005</td> <td>± ---</td> </tr> <tr> <td>2 PLACE</td> <td>± .01</td> <td>± 0.13</td> </tr> <tr> <td>1 PLACE</td> <td>± ---</td> <td>± 0.25</td> </tr> </tbody> </table>			INCH	METRIC	3 PLACE	± .005	± ---	2 PLACE	± .01	± 0.13	1 PLACE	± ---	± 0.25	<table border="1"> <tr> <td>molex ETC INC.</td> <td>SHEET NO.</td> <td>DATE</td> </tr> <tr> <td>PINELLAS PARK, FLA. 33781 U.S.A.</td> <td>1 OF 1</td> <td>00/12/15</td> </tr> </table>		molex ETC INC.	SHEET NO.	DATE	PINELLAS PARK, FLA. 33781 U.S.A.	1 OF 1	00/12/15
	INCH	METRIC																			
3 PLACE	± .005	± ---																			
2 PLACE	± .01	± 0.13																			
1 PLACE	± ---	± 0.25																			
molex ETC INC.	SHEET NO.	DATE																			
PINELLAS PARK, FLA. 33781 U.S.A.	1 OF 1	00/12/15																			
DRAFT WHERE APPLICABLE MUST REMAIN WITHIN DIMENSIONS		PART NO. SEE TABLE																			
<table border="1"> <tr> <td>DRWG. BY</td> <td>EDB</td> <td>CHK'D. BY</td> <td>HEB</td> </tr> <tr> <td>APP'D. BY</td> <td>RWD</td> <td>SCALE</td> <td>4: 1</td> </tr> </table>		DRWG. BY	EDB	CHK'D. BY	HEB	APP'D. BY	RWD	SCALE	4: 1	<table border="1"> <tr> <td>FILE NAME</td> <td>DIV.</td> <td>SIZE</td> </tr> <tr> <td>SD19139003 DGN</td> <td>ET</td> <td>B</td> </tr> </table>		FILE NAME	DIV.	SIZE	SD19139003 DGN	ET	B				
DRWG. BY	EDB	CHK'D. BY	HEB																		
APP'D. BY	RWD	SCALE	4: 1																		
FILE NAME	DIV.	SIZE																			
SD19139003 DGN	ET	B																			
THIS DRAWING CONTAINS INFORMATION THAT IS PROPRIETARY TO MOLEX-ETC INC. AND SHOULD NOT BE USED WITHOUT WRITTEN PERMISSION.		DRWG. NO. SD-19139-003																			