

ATTENUATOR

COAXIAL DC- 12.4 GHz SMA



DATA SHEET

PART SERIES: 42XXF

SHEET 1 OF 2
Dwg 42XXF

EN 13-3649
Revision-

FEATURES

- Superior Attenuation Accuracy
- Low VSWR
- Rugged Construction
- MIL-DTL-3933
- High Reliability

APPLICATIONS

- Amplifier Stabilization
- Improve VSWR Between Stages
- Balance Channels
- Overload Protection
- Set Amplification Gain/Power
- Sample Output Power
- Military



GENERAL DESCRIPTION

Florida RF Labs Coaxial Attenuators offer superior attenuation accuracy, with extended broadband frequency operation. This series is manufactured with stainless steel body and rugged construction for the most demanding environments.

ORDERING INFORMATION

Part Identifier:

42XXF
└─ Attenuation Value

SPECIFICATIONS

1.0 ELECTRICAL

- Nominal Impedance: 50 ohms
- Frequency Range: DC – 12.4 GHz
- Attenuation Values Available: 0 – 30 dB
- Attenuation Accuracy: See Table 1
- Input Power CW: 2 Watts @ 100°C heat sink, derated linearly to zero power at 150°C
- Peak Power: 20 Watts (based on 10us pulse width and 1% duty cycle)
- VSWR: See Table 1

TABLE 1 ATTENUATION ACCURACY (dB)			
dB VALUE	DC – 4 GHz	4 – 8 GHz	8 – 12.4 GHz
0	-0, +0.3	-0, +.5	-0, +.5
1 – 3	± 0.3	± 0.5	± 0.75
4 – 6	± 0.4	± 0.8	± 1.0
7 – 10	± 0.5	± 0.9	± 1.0
11 – 15	± 0.75	± 1.0	± 2.0
16 - 20	± 1.0	± 1.0	± 2.0
VSWR (MAX)			
dB VALUE	DC – 4 GHz	4 – 12.4 GHz	
0 - 20	1.2:1 Max	1.3:1 Max	

ATTENUATOR COAXIAL DC- 12.4 GHz SMA



DATA SHEET

PART SERIES: 42XXF

SHEET 1 OF 2
Dwg 42XXF

EN 13-3649
Revision-

2.0 ENVIRONMENTAL

Operating Temperature:	-55°C to +150°C
Non-operating Temperature:	-65°C to +150°C
Temperature Coefficient:	+/-200 PPM / °C max

3.0 MARKING

Unit Marking: Logo, dB Value and frequency, legibility and permanency per MIL-STD-130

4.0 QUALITY ASSURANCE

Sample Inspect Per MIL-STD-105, Level II, 1.0% AQL.

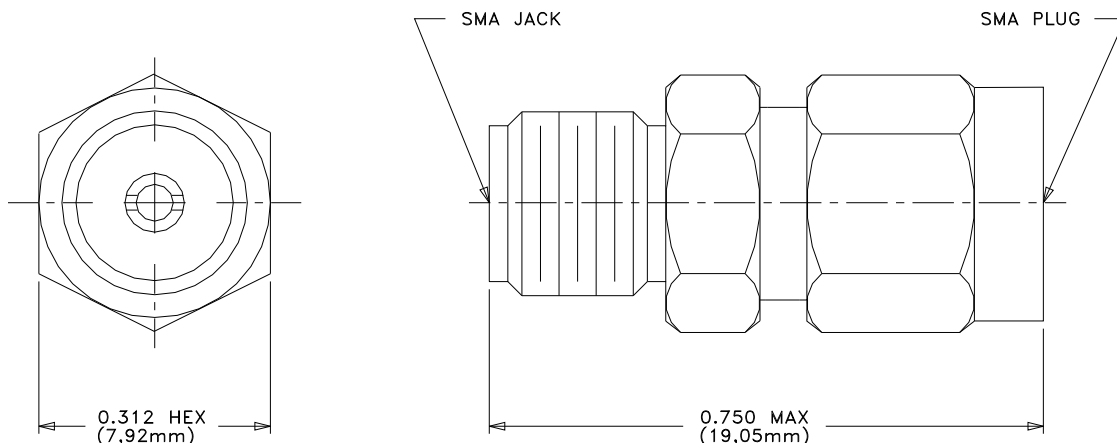
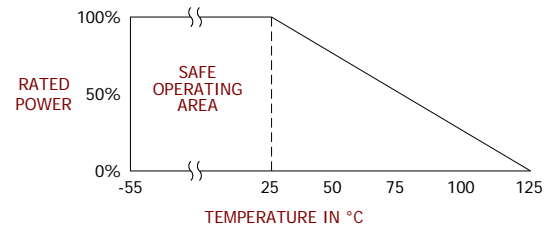
Visual and Mechanical Examination for Conformance to Outline Drawing
Measure Attenuation and VSWR
Data Retention – Standard

5.0 PACKAGING

Standard Packaging: Tube

6.0 MECHANICAL

Body and Nut Material:	Stainless Steel
Body and Nut Finish:	Passivated
Center Contact Material:	Beryllium Copper
Center Contact Finish:	Gold Plated
Dielectric:	Teflon
Resistive Element:	Thick Film
SMA Interface:	MIL-PRF-39012
Torque:	8 in-lbs maximum
Metric Dimensions:	Provided for reference only



Unless Otherwise Specified: TOLERANCE: X.XX = ± 0.01 X.XXX = ± 0.005

ATTENUATOR COAXIAL DC- 12.4 GHz SMA



DATA SHEET

PART SERIES: 42XXF

SHEET 1 OF 2
Dwg 42XXF

EN 13-3649
Revision-