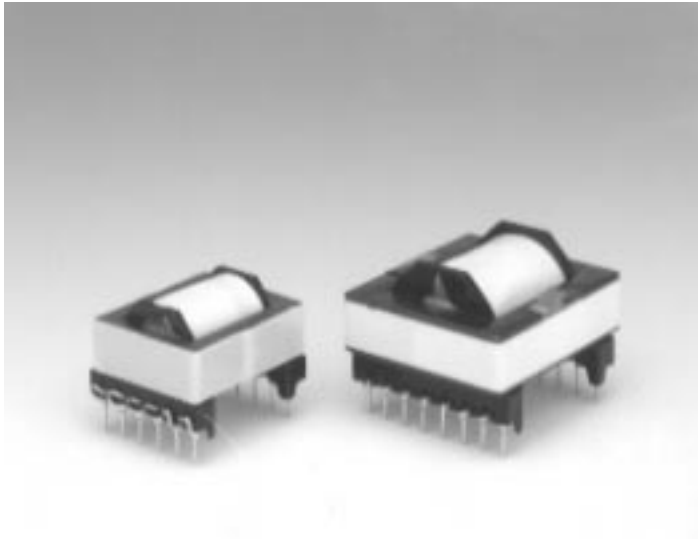


# Switching Transformer FLAT type



### ◆ Features

Thin type

Meeting IEC standard depend on size

### ◆ Applications

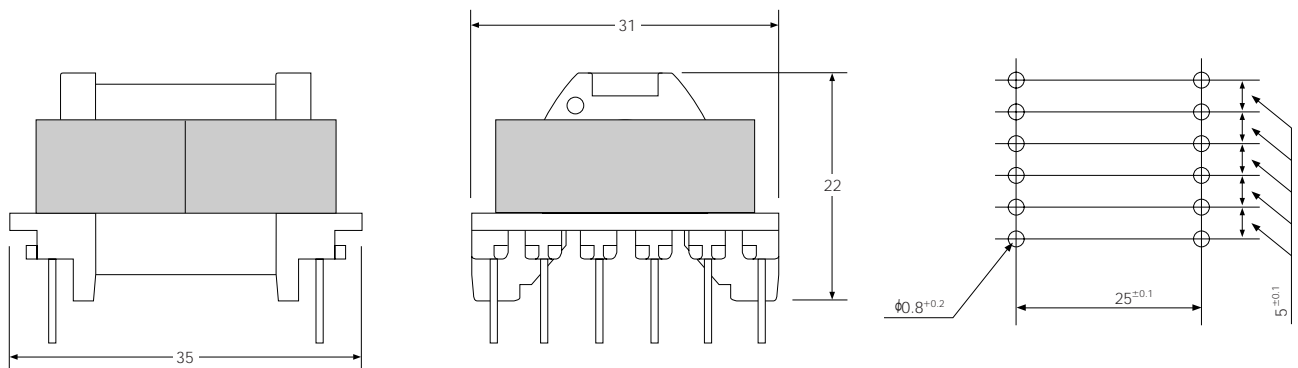
TV, OA, SMPS

### ◆ Performance

Size	Item	Output (W) F=100KMZ	PINS
	DBRH24K6	60	6×6
	DBRH28T6	80	6×6
	DBRH35T8	100	8×8
	DBRH40T8	120	8×8
	DBRH40S7	120	7×7
	DBRH42T8	180	8×8
	DBOH17T5	20	4×5
	DBOH19T6	25	5×6
	DBOH19S6	25	6×6
	DBOH25T6	50	5×6
	DBOH27T6	60	5×6
	DBOH30T6	70	6×6

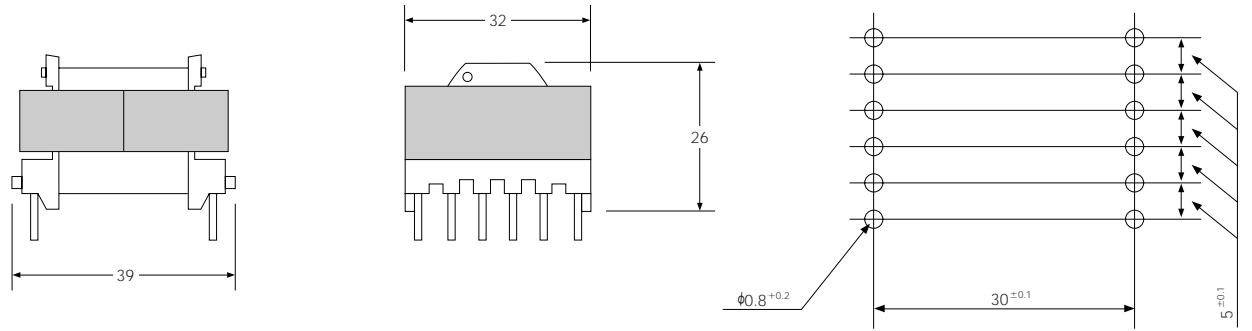
### ◆ Dimensions In mm (not to scale)

DBRH24K6

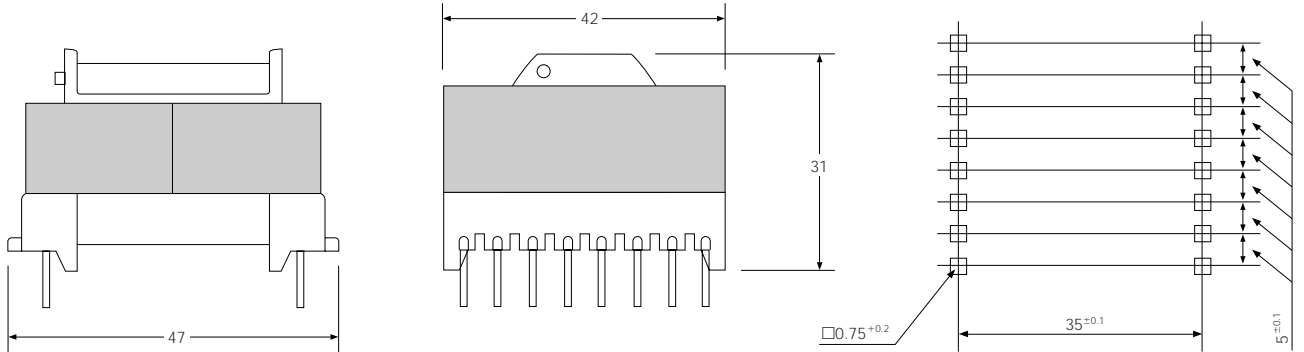


◆ Dimensions In mm (not to scale)

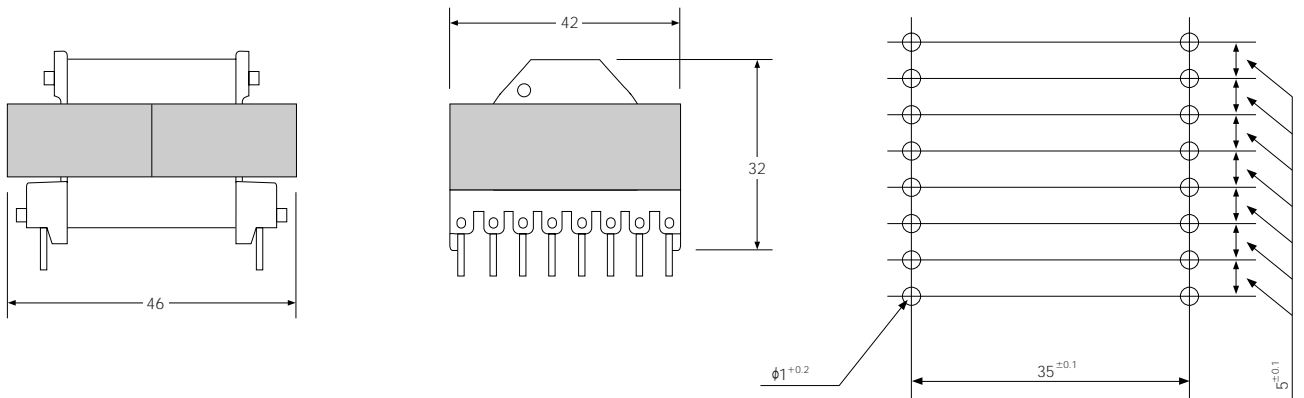
DBRH28T6



DBRH35T8



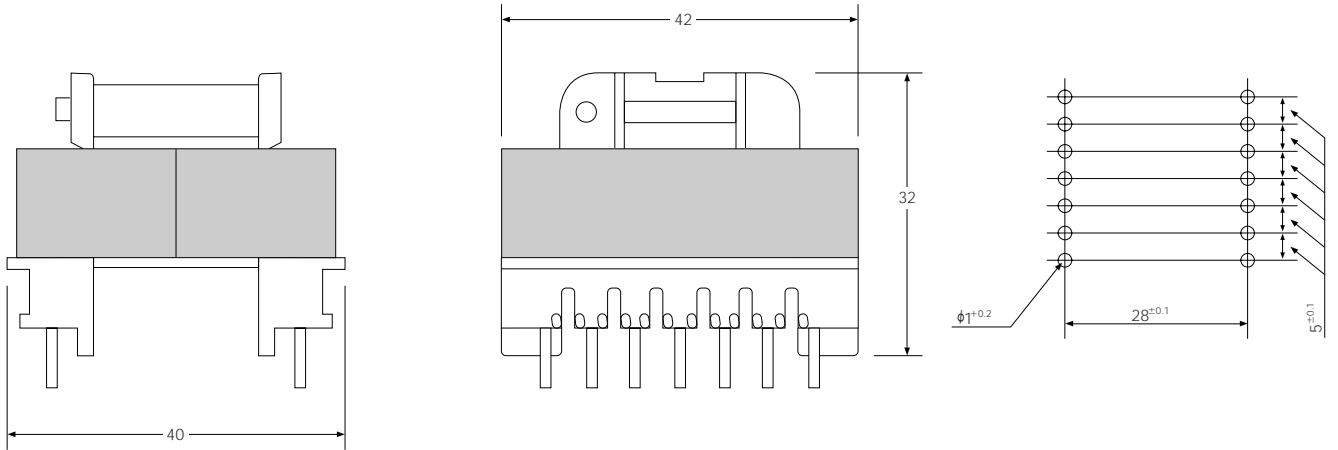
DBRH40T8



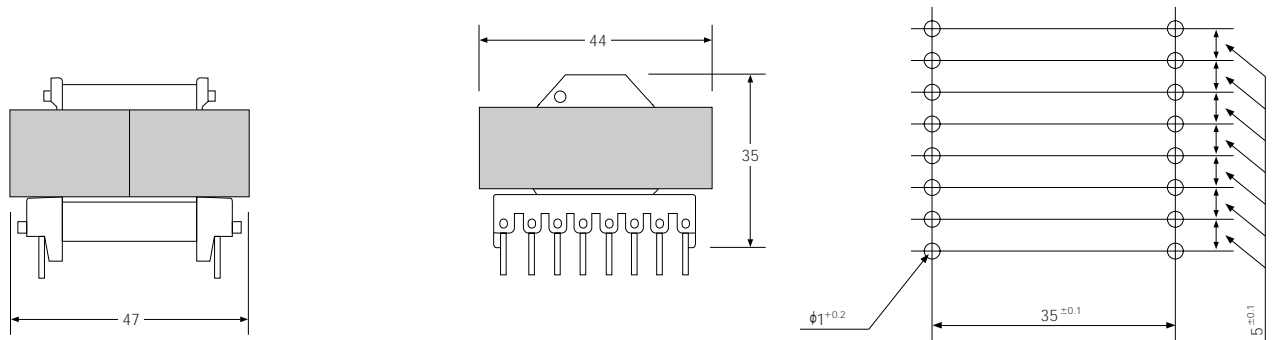
# Switching Transformer FLAT type

◆ Dimensions In mm (not to scale)

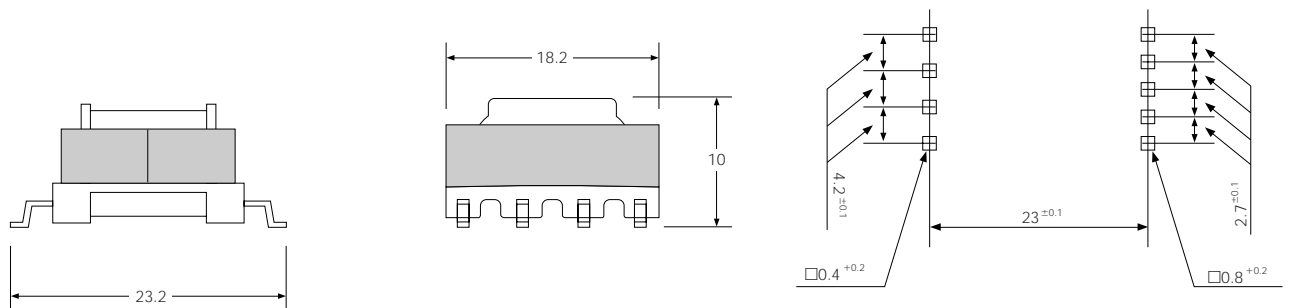
DBRH40S7



DBRH42T8

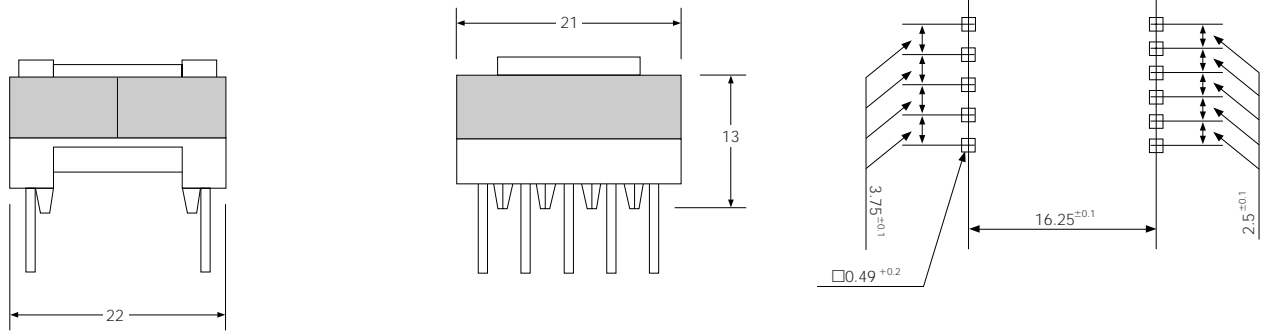


DBOH17T5

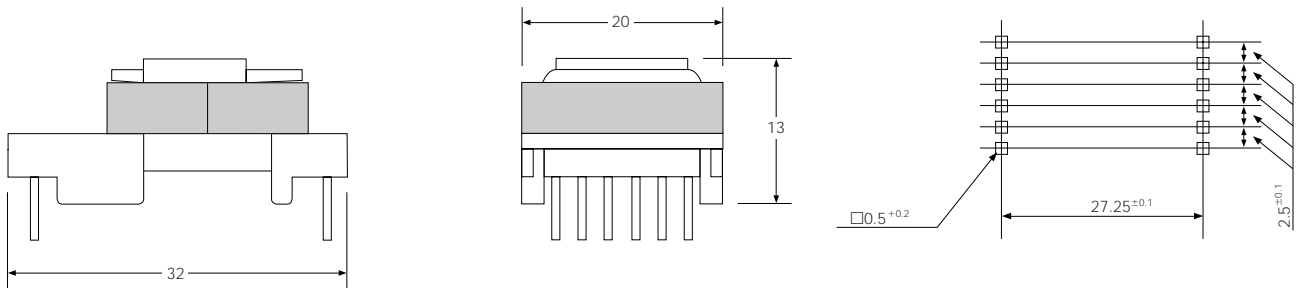


◆ Dimensions In mm (not to scale)

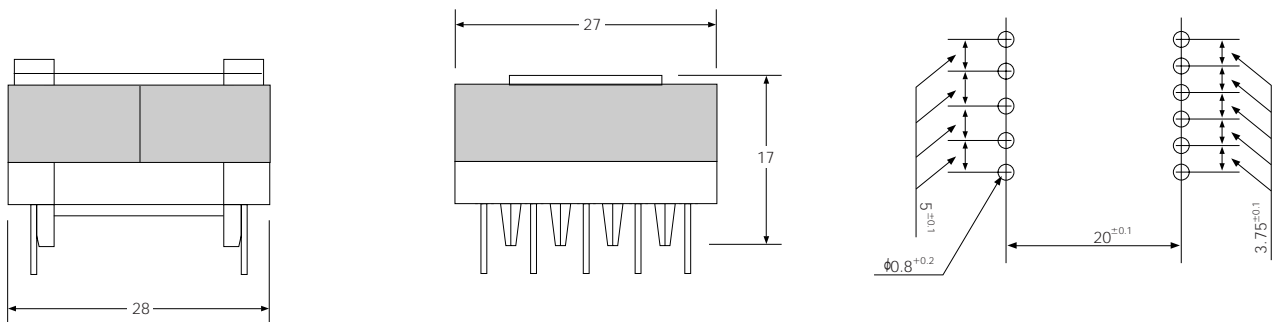
DBOH19T6



DBOH19S6



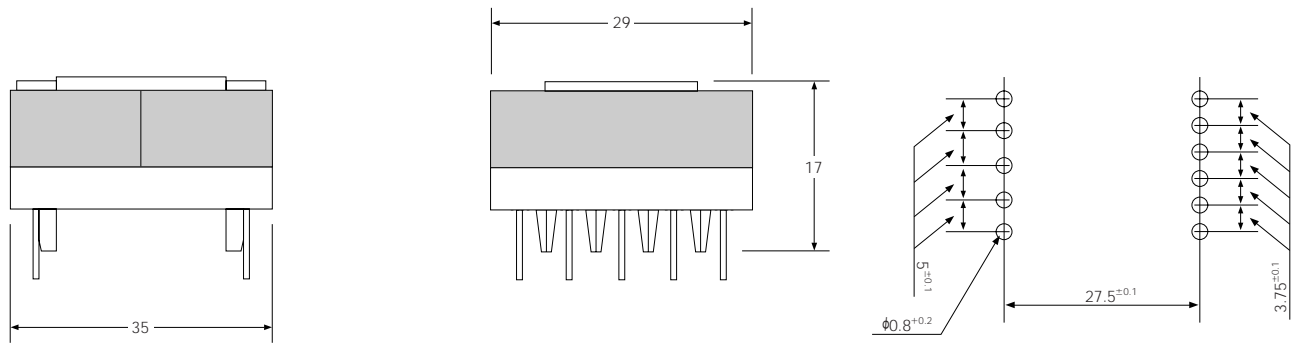
DBOH25T6



# Switching Transformer FLAT type

◆ Dimensions In mm (not to scale)

DBOH27T6



DBOH30T6

