

## 74F675A 16-Bit Serial-In, Serial/Parallel-Out Shift Register

### General Description

The 74F675A contains a 16-bit serial in/serial out shift register and a 16-bit parallel out storage register. Separate serial input and output pins are provided for expansion to longer words. By means of a separate clock, the contents of the shift register are transferred to the storage register. The contents of the storage register can also be loaded back into the shift register. A HIGH signal on the Chip Select input prevents both shifting and parallel loading.

### Features

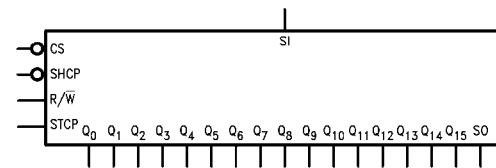
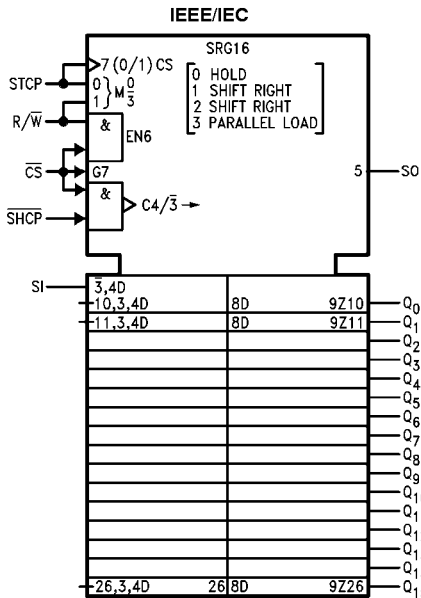
- Serial-to-parallel converter
- 16-Bit serial I/O shift register
- 16-Bit parallel out storage register
- Recirculating parallel transfer
- Expandable for longer words
- Slim 24 lead package
- 74F675A version prevents false clocking through CS or R/W inputs

### Ordering Code:

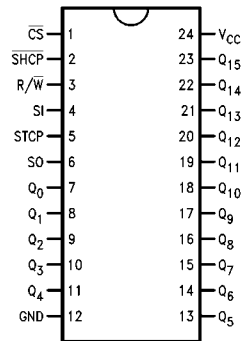
Order Number	Package Number	Package Description
74F675ASC	M24B	24-Lead Small Outline Integrated Circuit (SOIC), JEDEC MS-013, 0.300 Wide
74F675APC	N24A	24-Lead Plastic Dual-In-Line Package (PDIP), JEDEC MS-010, 0.600 Wide
74F675ASPC	N24C	24-Lead Plastic Dual-In-Line Package (PDIP), JEDEC MS-100, 0.300 Wide

Devices also available in Tape and Reel. Specify by appending the suffix letter "X" to the ordering code.

### Logic Symbols



### Connection Diagram



### Unit Loading/Fan Out

Pin Names	Description	U.L.	
		HIGH/LOW	Input $I_{IH}/I_{IL}$ Output $I_{OH}/I_{OL}$
SI	Serial Data Input	1.0/1.0	20 $\mu$ A/-0.6 mA
$\overline{CS}$	Chip Select Input (Active LOW)	1.0/1.0	20 $\mu$ A/-0.6 mA
$\overline{SHCP}$	Shift Clock Pulse Input (Active Falling Edge)	1.0/1.0	20 $\mu$ A/-0.6 mA
STCP	Store Clock Pulse Input (Active Rising Edge)	1.0/1.0	20 $\mu$ A/-0.6 mA
R/W	Read/Write Input	1.0/1.0	20 $\mu$ A/-0.6 mA
SO	Serial Data Output	50/33.3	-1 mA/20 mA
$Q_0-Q_{15}$	Parallel Data Outputs	50/33.3	-1 mA/20 mA

### Functional Description

The 16-Bit shift register operates in one of four modes, as determined by the signals applied to the Chip Select ( $\overline{CS}$ ), Read/Write (R/W) and Store Clock Pulse (STCP) input. State changes are indicated by the falling edge of the Shift Clock Pulse ( $\overline{SHCP}$ ). In the Shift Right mode, data enters  $D_0$  from the Serial Input (SI) pin and exits from  $Q_{15}$  via the Serial Data Output (SO) pin. In the Parallel Load mode, data from the storage register outputs enter the shift register and serial shifting is inhibited.

The storage register is in the Hold mode when either  $\overline{CS}$  or R/W is HIGH. With  $\overline{CS}$  and R/W both LOW, the storage register is parallel loaded from the shift register on the rising edge of STCP.

To prevent false clocking of the shift register,  $\overline{SHCP}$  should be in the LOW state during a LOW-to-HIGH transition of  $\overline{CS}$ . To prevent false clocking of the storage register, STCP should be LOW during a HIGH-to-LOW transition of  $\overline{CS}$  if R/W is LOW, and should also be LOW during a HIGH-to-LOW transition of R/W if  $\overline{CS}$  is LOW.

### Shift Register Operations Table

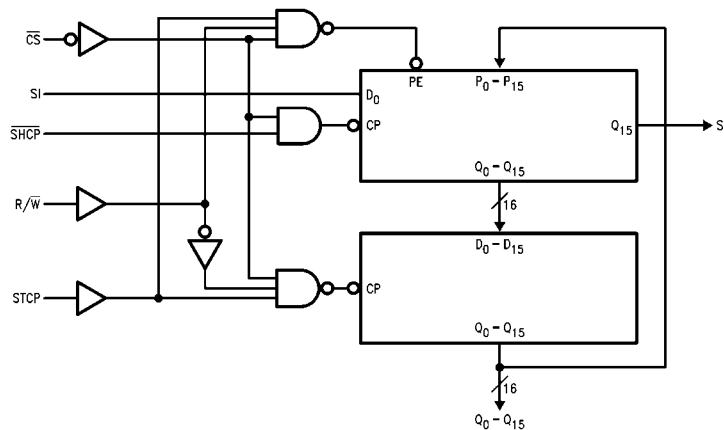
Control Inputs				Operating Mode
$\overline{CS}$	R/W	$\overline{SHCP}$	STCP	
H	X	X	X	Hold
L	L	$\sim$	X	Shift Right
L	H	$\sim$	L	Shift Right
L	H	$\sim$	H	Parallel Load, No Shifting

### Storage Register Operations Table

Inputs			Operating Mode
$\overline{CS}$	R/W	STCP	
H	X	X	Hold
L	H	X	Hold
L	L	$\nearrow$	Parallel Load

H = HIGH Voltage Level  
 L = LOW Voltage Level  
 X = Immaterial  
 $\sim$  = HIGH-to-LOW Transition  
 $\nearrow$  = LOW-to-HIGH Transition

### Logic Diagram



Please note that this diagram is provided only for the understanding of logic operations and should not be used to estimate propagation delays.

**Absolute Maximum Ratings** (Note 1)

Storage Temperature	-65°C to +150°C
Ambient Temperature under Bias	-55°C to +125°C
Junction Temperature under Bias	-55°C to +150°C
V <sub>CC</sub> Pin Potential to Ground Pin	-0.5V to +7.0V
Input Voltage (Note 2)	-0.5V to +7.0V
Input Current (Note 2)	-30 mA to +5.0 mA
Voltage Applied to Output in HIGH State (with V <sub>CC</sub> = 0V)	
Standard Output	-0.5V to V <sub>CC</sub>
3-STATE Output	-0.5V to +5.5V
Current Applied to Output in LOW State (Max)	twice the rated I <sub>OL</sub> (mA)

**Recommended Operating Conditions**

Free Air Ambient Temperature	0°C to +70°C
Supply Voltage	+4.5V to +5.5V

**Note 1:** Absolute maximum ratings are values beyond which the device may be damaged or have its useful life impaired. Functional operation under these conditions is not implied.

**Note 2:** Either voltage limit or current limit is sufficient to protect inputs.

**DC Electrical Characteristics**

Symbol	Parameter	Min	Typ	Max	Units	V <sub>CC</sub>	Conditions
V <sub>IH</sub>	Input HIGH Voltage	2.0			V		Recognized as a HIGH Signal
V <sub>IL</sub>	Input LOW Voltage			0.8	V		Recognized as a LOW Signal
V <sub>CD</sub>	Input Clamp Diode Voltage			-1.2	V	Min	I <sub>IN</sub> = -18 mA
V <sub>OH</sub>	Output HIGH Voltage	10% V <sub>CC</sub> 5% V <sub>CC</sub>	2.5 2.7		V	Min	I <sub>OH</sub> = -1 mA I <sub>OH</sub> = -1 mA
V <sub>OL</sub>	Output LOW Voltage	10% V <sub>CC</sub>		0.5	V	Min	I <sub>OL</sub> = 20 mA
I <sub>IH</sub>	Input HIGH Current			5.0	μA	Max	V <sub>IN</sub> = 2.7V
I <sub>BVI</sub>	Input HIGH Current Breakdown Test			7.0	μA	Max	V <sub>IN</sub> = 7.0V
I <sub>CEX</sub>	Output HIGH Leakage Current			50	μA	Max	V <sub>OUT</sub> = V <sub>CC</sub>
V <sub>ID</sub>	Input Leakage Test	4.75			V	0.0	I <sub>ID</sub> = 1.9 μA All Other Pins Grounded
I <sub>OD</sub>	Output Leakage Circuit Current			3.75	μA	0.0	V <sub>IDB</sub> = 150 mV All Other Pins Grounded
I <sub>IL</sub>	Input LOW Current			-0.6	mA	Max	V <sub>IN</sub> = 0.5V
I <sub>OS</sub>	Output Short-Circuit Current	-60		-150	mA	Max	V <sub>OUT</sub> = 0V
I <sub>CCH</sub>	Power Supply Current		106	160	mA	Max	V <sub>O</sub> = HIGH
I <sub>CCL</sub>	Power Supply Current		106	160	mA	Max	V <sub>O</sub> = LOW

## AC Electrical Characteristics

Symbol	Parameter	T <sub>A</sub> = +25°C V <sub>CC</sub> = +5.0V C <sub>L</sub> = 50 pF			T <sub>A</sub> = 0°C to +70°C V <sub>CC</sub> = +5.0V C <sub>L</sub> = 50 pF		Units
		Min	Typ	Max	Min	Max	
t <sub>MAX</sub>	Maximum Clock Frequency	100	130		85		MHz
t <sub>PLH</sub>	Propagation Delay STCP to Q <sub>n</sub>	3.0	8.0	10.5	2.5	12.0	ns
t <sub>PLH</sub>	Propagation Delay SHCP to SO	4.0	7.0	9.5	3.5	10.5	ns
t <sub>PHL</sub>		4.5	8.0	10.5	4.0	12.0	ns

## AC Operating Requirements

Symbol	Parameter	T <sub>A</sub> = +25°C V <sub>CC</sub> = +5.0V		T <sub>A</sub> = 0°C to +70°C V <sub>CC</sub> = +5.0V		Units
		Min	Max	Min	Max	
t <sub>S</sub> (H)	Setup Time, HIGH or LOW	3.5		4.0		ns
t <sub>S</sub> (L)	$\overline{CS}$ or R $\overline{W}$ to STCP	5.5		6.5		
t <sub>H</sub> (H)	Hold Time, HIGH or LOW	0		0		
t <sub>H</sub> (L)	$\overline{CS}$ or R $\overline{W}$ to STCP	0		0		ns
t <sub>S</sub> (H)	Setup Time, HIGH or LOW	3.0		3.5		
t <sub>S</sub> (L)	SI to $\overline{SHCP}$	3.0		3.5		
t <sub>H</sub> (H)	Hold Time, HIGH or LOW	3.0		3.5		ns
t <sub>H</sub> (L)	SI to $\overline{SHCP}$	3.0		3.5		
t <sub>S</sub> (H)	Setup Time, HIGH or LOW	6.5		7.5		
t <sub>S</sub> (L)	R $\overline{W}$ to $\overline{SHCP}$	9.0		10.0		ns
t <sub>H</sub> (H)	Hold Time, HIGH or LOW	0		0		
t <sub>H</sub> (L)	R $\overline{W}$ to $\overline{SHCP}$	0		0		
t <sub>S</sub> (H)	Setup Time, HIGH or LOW	7.0		8.0		ns
t <sub>S</sub> (L)	STCP to $\overline{SHCP}$	7.0		8.0		
t <sub>H</sub> (H)	Hold Time, HIGH or LOW	0		0		
t <sub>H</sub> (L)	STCP to $\overline{SHCP}$	0		0		ns
t <sub>S</sub> (H)	Setup Time, HIGH or LOW	3.0		3.5		
t <sub>S</sub> (L)	$\overline{CS}$ to $\overline{SHCP}$	3.0		3.5		
t <sub>H</sub> (H)	Hold Time, HIGH or LOW	3.0		3.5		ns
t <sub>H</sub> (L)	$\overline{CS}$ to $\overline{SHCP}$	3.0		3.5		
t <sub>W</sub> (H)	$\overline{SHCP}$ Pulse Width	5.0		6.0		
t <sub>W</sub> (L)	HIGH or LOW	5.0		6.0		
t <sub>W</sub> (H)	STCP Pulse Width	6.0		7.0		
t <sub>W</sub> (L)	HIGH or LOW	5.0		6.0		ns
t <sub>S</sub> (L)	$\overline{SHCP}$ to STCP	8.0		9.0		
t <sub>H</sub> (H)	$\overline{SHCP}$ to STCP	0.0		0.0		



