

Variable Inductors

Japan

Series: **04T Chip**

Type: **4E□**

Type EJ

Type EN

Type EW

04T (4 mm Square) Chip type variable inductors for compact wireless equipment

■ Industrial Property: Patents 6 (pending)

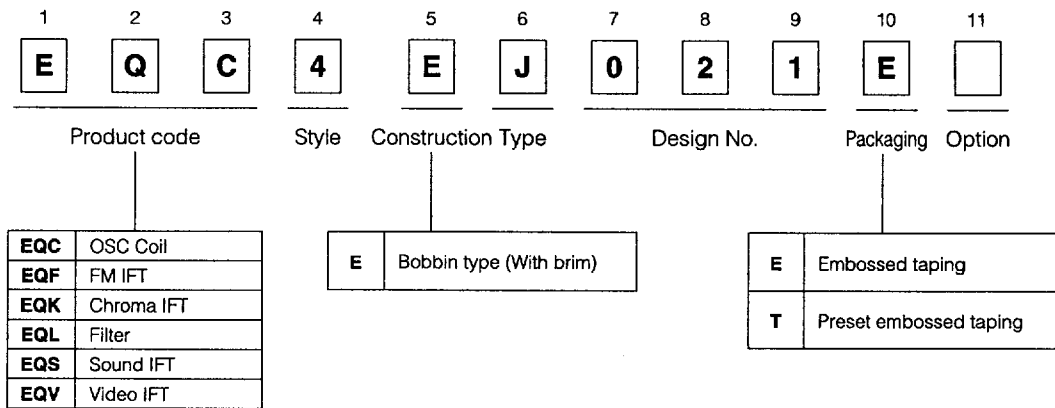
■ Features

- Protection from disconnection by separating coil lead and soldering terminals
- Stable core rotational torque by using thermoplastic resin

■ Recommended Applications

- LCD TVs, VTRs
- Cordless telephones, HIC

■ Explanation of Part Numbers

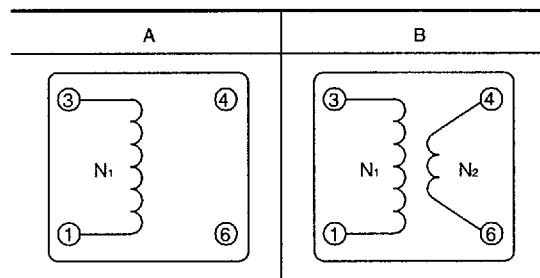


● From Aug '94, the product code of "EIA†" was changed. Order new product code in "EQA†".

Series 04T

Types	Dimensions in mm (not to scale)	Core Type	Freq. Range	L Range	Qu	Internal Capacitor
4EJ			1 MHz to 150 MHz	0.1 μ H to 20 μ H	20 to 50	—
4EN			1 MHz to 150 MHz	0.1 μ H to 30 μ H	30 to 70	—
4EW			1 MHz to 150 MHz	0.1 μ H to 50 μ H	30 to 70	10 pF to 220 pF

■ Connection Schematics



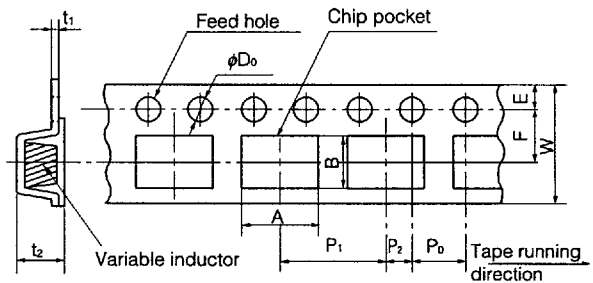
Taping Packaging Methods

Series: **04T Chip**

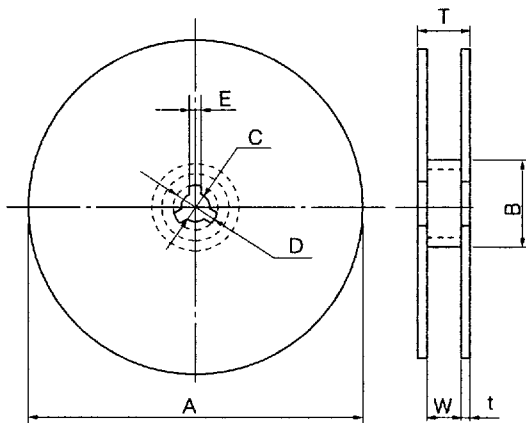
Standard Packing Quantity

Packaging	Embossed Carrier Taping
Style	
EQ□4E□	2000 pcs./reel

Embossed Carrier Tape Dimensions in mm (not to scale)



Reel Dimensions in mm (not to scale)



Dimensions	A	B	W	F	E	P ₁
Types						
4EJ, EN	6.4	5.2	12	5.5	1.75	8.0
4EW	6.4	5.2	12	5.5	1.75	8.0

Dimensions	P ₂	P ₀	φD ₀	t ₁	t ₂
Types					
4EJ, EN	2.0	4.0	1.5	0.4	4.9
4EW	2.0	4.0	1.5	0.4	5.4

Dimensions	A	B	C	D
Types				
4EJ, EN	330	80	13	23
4EW	380	80	13	23

Dimensions	E	W	T	t
Types				
4EJ, EN	2	14	18	2.0
4EW	2	14	18	2.0