

FAST Dynamic Memory Timer

SERIES: **DMT-300**

TTL Interfaced
14 pins DIP

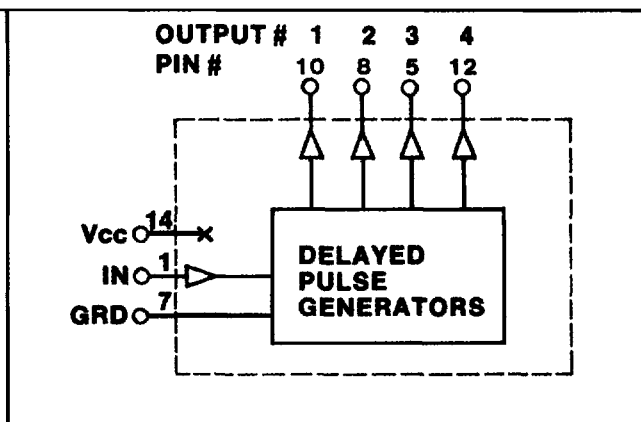
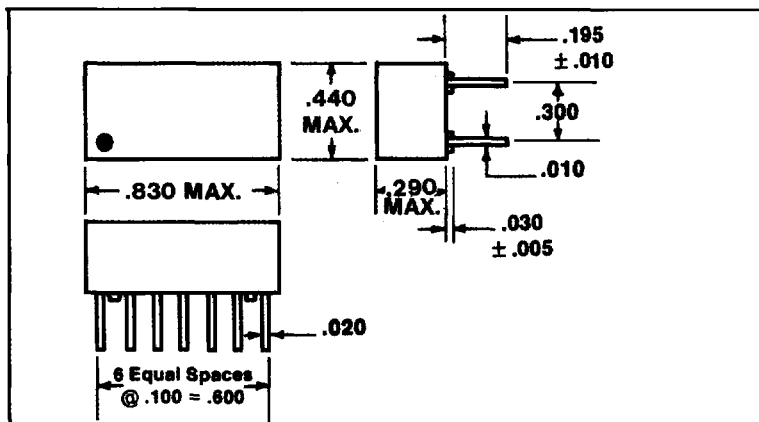
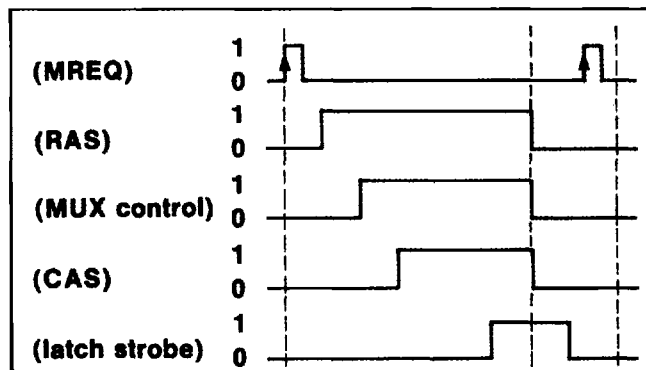
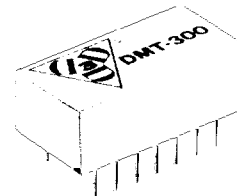


Features:

- All DRAM's timing generated from a single MREQ signal
- Accurate and stable timing
- Rising-edge triggered
- PC board economy
- Saves components
- Low profile

Specifications:

- Input pulse width: 4 ns min.
- Max. rep. rate of (MREQ) = T_E of latch strobe.
- Time delay tolerance: $\pm 5\%$ or 2 ns whichever is greater.
- Supply voltage (V_{cc}): 5 Vdc $\pm 5\%$.
- Operating temperature: 0° C to 70° C.
- Temperature coefficient: 100 PPM/ C.
- Power dissipation: 740 mw max.
- DC parameters: See TTL-Standard Schottky Logic Table on Page 6.



Part No.	Output 1 (RAS)		Output 2 (MUX CONTROL)		Output 3 (CAS)		Output 4 (Latch Strobe)	
	LE	TE	LE	TE	LE	TE	LE	TE
DMT-301-1	15	190	40	190	65	190	140	190
DMT-301-2	15	165	40	165	65	165	115	215
DMT-301-3	15	190	40	190	65	190	190	240
DMT-301-4	15	215	40	215	65	215	165	265
DMT-301-5	15	265	40	265	115	265	215	315
DMT-301-6	15	215	40	215	65	215	165	335
DMT-301-7	15	165	30	165	50	165	115	265
DMT-301-8	15	135	30	135	50	135	85	235
DMT-301-9	15	275	40	275	65	275	220	370
DMT-301-10	15	120	40	120	65	120	115	215
DMT-301-11	15	185	40	185	65	185	125	185
DMT-301-12	10	90	20	90	40	90	100	120
DMT-302-1	15	265	65	265	90	265	215	315
DMT-302-2	15	290	65	290	115	290	240	340
DMT-302-3	15	315	65	315	140	315	265	365
DMT-303-1	25	300	75	300	125	300	250	350

1. All timing above in ns.
2. Many more customized designs available upon request.