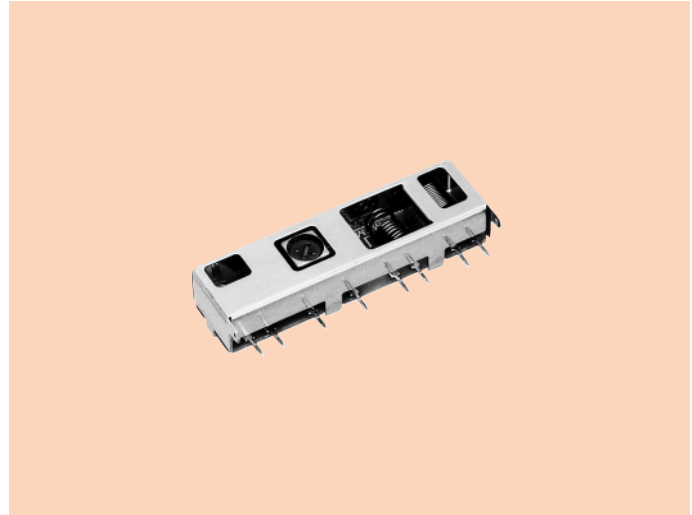


# Super Compact, FM Electronic Tuner for Popular Class Home Stereo FE204-A06

AM/FM Electronic Tuners

## FEATURES

1. Super compact, 2-gang FM electronic tuner.
2. Ideal for popular class home stereos.
3. Single gate MOS-FET for RF amplifier.
4. Buffer circuit for isolation of local oscillator.
5. Various band is also available.



## SPECIFICATIONS

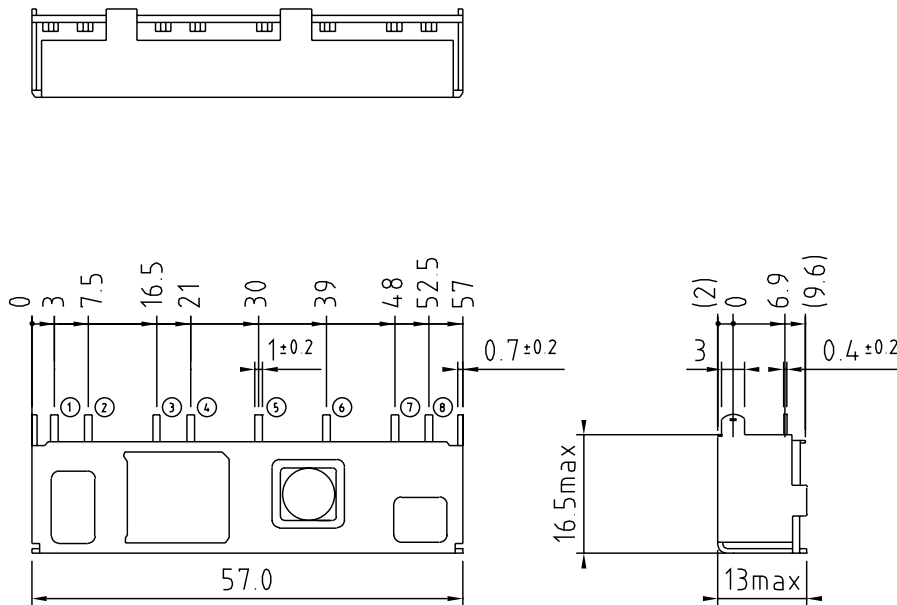
Item	FE204-A06
Supply Voltage	9.0V
Current Consumption	16±6mA
Tuning Range	87.5~108MHz
Tuning Voltage	1.3~9.0V
Input Impedance	75Ω unbalanced, 300Ω balanced
Output Impedance	300Ω unbalanced
Center IF	10.7MHz
IF Output Bandwidth at -3dB	300~600kHz
Power Gain	23dB min. (29dB typ.)
Gain Variation	7dB max. (4dB typ.)
Noise Figure	9dB max. (6dB typ.)
Image Rejection	30dB min. (38dB typ.)
IF Rejection	60dB min. (70dB typ.)
OSC Output Voltage*1	50mV/rms min. (80mV/rms typ.)
Freq. Drift vs. Ambient Temp.*2	±400kHz max. (±200kHz typ.)

\*Note Specifications subject to change without notice.

\*1 Condition 1 : 75Ω load on OSC OUT terminal.

\*2 Condition 2 : +25 ±30°C

**DIMENSIONS**



S=1/1

Unit : mm  
General Tolerance : ±0.5

EXTERNAL TERMINALS
1. ANT
2. ANT
3. GND
4. GND
5. Vt
6. +B
7. IF OUT
8. OSC OUT