

FC
SINGLEMODE FIBER OPTIC CONNECTOR

boot: color green

Series

F729

Packaging

100

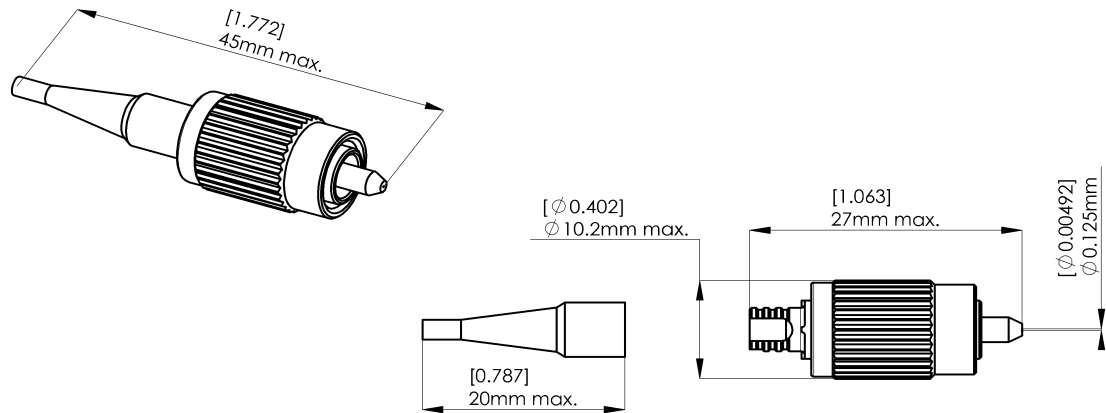
Issue

04 Jan 2011

Page

1/1

Original dimensions in mm [inch]


GENERAL

Type : IEC 61754-13 type FC
 Singlemode, zirconia APC ceramic ferrule (pencil type), type N key
 Thread coupling
 Floating ferrule
 360° tunable (adjustable to 6 positions for optimization of random insertion loss)

Ferrule size : 126 µm
Fiber size : 9,5 / 125 µm, singlemode

Cable : Ø 0.9mm, buffered fiber

Cabling proc. : Refer to 503 08 400 (D 6121 oe), assembly instruction manual

CHARACTERISTICS (Dependant on fiber or cable construction)

Optical : Attenuation at 1310 and 1550 nm, LD

| | STD | TUNED (IEC 61300-2-40) | |
|--------------------|---------------|------------------------|------------------------------------------------------------|
| Mean | < 0.2 dB | < 0.2 dB | (Attenuation plug mated with reference plug IEC 61300-3-4) |
| Standard deviation | 0.15 dB | 0.15 dB | |
| Max | < 0.8 dB, 97% | < 0.6 dB, 99% | (Attenuation of random mated connectors IEC 61300-3-4) |
| Mean | 0.25 dB | 0.15 dB | |
| Repeatability | 0.10 dB | 0.10 dB | (Maximum loss variation, IEC 61300-2-2) |
| Return loss | > 60 dB | > 60 dB | (Mated and unmated, IEC 61300-3-6) |

Mechanical : Mechanical endurance 500 matings
 Cable retention 7 N

Environmental : Temperature range (storage/operating) -40 to +85 °C

| CREATION | | | | | RADIALL [®] | |
|-----------------|-----------|-------------------------------------------------|------|-------|-----------------------|--|
| N°: | | | | | 101, rue P. Hoffmann | |
| PEN/EP: CAT | | | | | 93116 ROSNY/BOIS | |
| Name: PB | | | | | FRANCE | |
| Date: 11 Aug.99 | 04 Jan 11 | Mise à jour performances optiques et mécaniques | SP | HD | Tel : (33) 0149353535 | |
| Appr.: S.D | Issue | Revisions | Name | Appr. | Fax : (33) 0148546363 | |