

4 Angled Female Connectors with CAGE CLAMP®, Pin Spacing 5 mm / 0.197 in, Grey

34

Pin spacing 5 mm/0.197 in, grey
 0.08 – 2.5 mm² | AWG 28 – 12
 250 V/4 kV/3 | 300 V, 15 A
 14 A

8 – 9 mm / 0.33 in

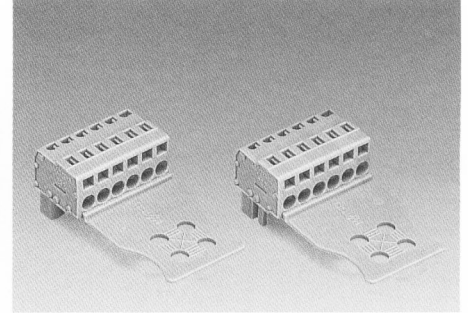
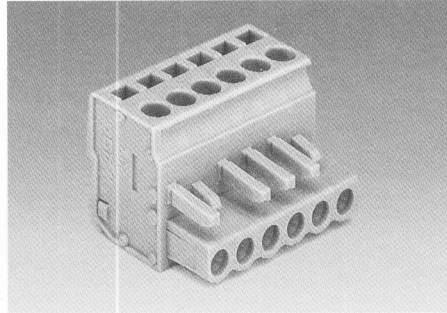
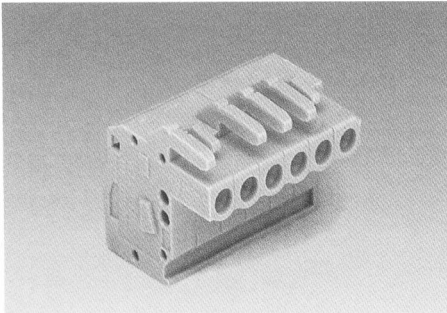


Pin spacing 5 mm/0.197 in, grey
 0.08 – 2.5 mm² | AWG 28 – 12
 250 V/4 kV/3 | 300 V, 15 A
 14 A

8 – 9 mm / 0.33 in



For strain relief plates
 see page 4.88



No. of poles	Item-No.	No. of poles	Item-No.	"B"	Additional item-No. for ...
Angled female connectors with CAGE CLAMP*, conductor exit opposite to latches, with coding fingers, with two latches, grey		Angled female connectors with CAGE CLAMP*, conductor exit same direction as latches, with coding fingers, with two latches, grey		... Angled female connectors with CAGE CLAMP* and strain relief plate	
2 (one latch only)	232-102/026-000	2 (one latch only)	232-202/026-000	11.5 mm	.../032-000
3 (one latch only)	232-103/026-000	3 (one latch only)	232-203/026-000	20 mm	.../033-000
4	232-104/026-000	4	232-204/026-000	30 mm	.../034-000
5	232-105/026-000	5	232-205/026-000	50 mm	.../035-000
:	:	:	:	B = width of strain relief plate	
12	232-112/026-000	12	232-212/026-000	Ordering example: Female connector, pin spacing 5 mm/0.197 in, grey, with strain relief plate	
:	:	:	:	5-pole 232-205/026-000/033-000	
21	232-121/026-000	21	232-221/026-000		
22	232-122/026-000	22	232-222/026-000		
23	232-123/026-000	23	232-223/026-000		
24	232-124/026-000	24	232-224/026-000		

Accessories

Test plug, w. cable 500 mm/1'7.7"
 2 mm/0.079 in Ø, red **210-136**
 2.3 mm/0.091 in Ø, yel. **210-137**

Insulation stop, 5 pcs/strip
 0.08 - 0.2 mm² (white) **231-670**
 0.25 - 0.5 mm² (light gr.) **231-671**
 0.75 - 1 mm² (dark grey) **231-672**

① 0.2 mm² solid / 0.14 mm² stranded

Marker strips, self-adhesive
 1-12 (40 x) **249-150/210-218**
 13-24 (40 x) **249-150/210-219**

Test plug, w. cable 500 mm/1'7.7"
 2 mm/0.079 in Ø, red **210-136**
 2.3 mm/0.091 in Ø, yel. **210-137**

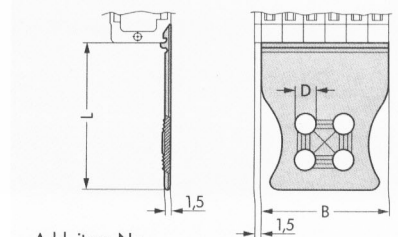
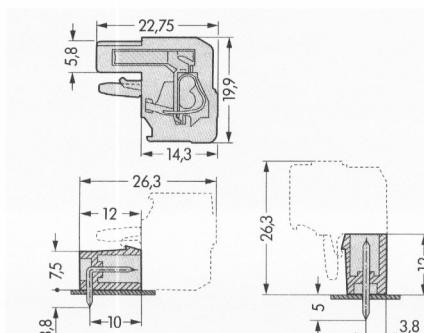
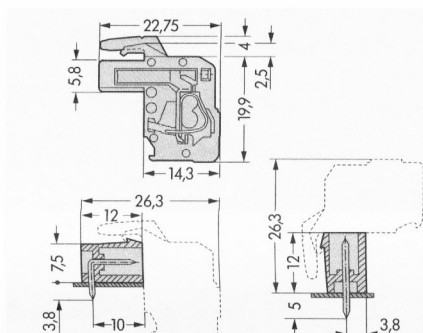
Insulation stop, 5 pcs/strip
 0.08 - 0.2 mm² (white) **231-670**
 0.25 - 0.5 mm² (light gr.) **231-671**
 0.75 - 1 mm² (dark grey) **231-672**

① 0.2 mm² solid / 0.14 mm² stranded

Marker strips, self-adhesive
 1-12 (40 x) **249-150/210-218**
 13-24 (40 x) **249-150/210-219**

Right angle female connectors with conductor exit perpendicular to mating direction offer a space saving of 10 mm/0.394 in in mating direction compared with straight female connectors. The versions "conductor exit opposite to latches" and "conductor exit same direction as latches" allow different directions of conductor exit with same mounting direction of headers.

Dimensions (in mm) Length = (No. of poles x pin spacing) + 1.5 mm + 0.9 mm



Add. item-No.	B	D	L
... /032-000	B = 11.5	D = 3.7	L = 30
... /033-000	B = 20	D = 3.7	L = 30
... /034-000	B = 30	D = 4.9	L = 35
... /035-000	B = 50	D = 4.9	L = 35

* For further approvals with corresponding ratings see pages 10.3 ff.