

### VC-CXO-072E

Voltage Controlled Crystal Oscillator (TTL Compatible Output)

**[Features]**

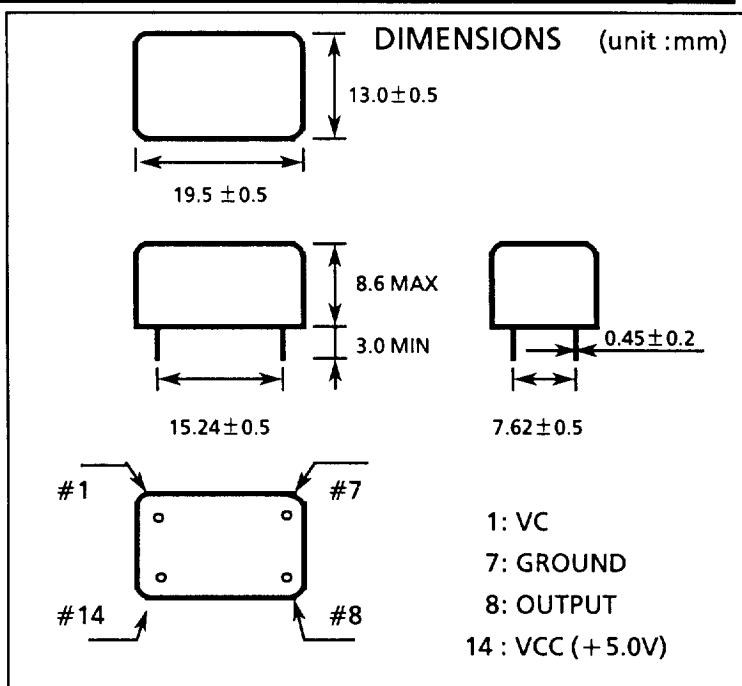
- "Small Size" as small as 2.2cc (19.5×13.0×8.6mm)
- Using welded crystal
- Hybrid-IC circuit construction

**[Typical Application]**

- VTR Camera

**[Standard Frequency]**

- 28.636360MHz



**[Specifications]**

| MODEL                                   | VC-CXO-072E  |
|---|--|
| Frequency range                         | 11 to 30 MHz   |
| Frequency - temperature characteristics | $\pm 40 \times 10^{-6} / -20^{\circ}\text{C to } +70^{\circ}\text{C}$          |
| Operable temperature range              | $-20^{\circ}\text{C to } +70^{\circ}\text{C}$                                  |
| Storage temperature                     | $-40^{\circ}\text{C to } +85^{\circ}\text{C}$                                  |
| Frequency aging                         | $\pm 3 \times 10^{-6} \text{ max / year}$                                      |
| Frequency Deviation                     | $\pm 100 \times 10^{-6} \text{ min / } +0.0 \text{ V to } +5.0 \text{ V (VC)}$ |
| Frequency tuning Voltage                | $+2.5 \text{ V} \pm 0.5 \text{ V (at } +25^{\circ}\text{C)}$                   |
| Power Supply Voltage                    | $+5.0 \text{ V} \pm 0.25 \text{ V}$  |
| Power Supply Current                    | 20mA max   |
| Frequency vs Vcc change                 | $\pm 1 \times 10^{-6} \text{ max / } +5.0 \text{ V} \pm 0.25 \text{ V}$        |
| Output Load                             | Normal TTL 1   |
| Output Level                            | VOH:3.0 V min / VOL:0.4 V max  |
| Output Symmetry                         | 40% to 60% (at 1.4 V DC)   |
| Vibration                               | 5Hz to 100Hz 2G  |
| Shock                                   | 20 G's for 11ms 1/2 sine wave 3 shock each plane                               |
| Humidity                                | 70°C 85% / RH 125 hours  |
| Weight                                  | 4.0 gr   |

- \* If specifications does not meet your requirements. We will design a unit to your requirements.
- \* All specifications and details published are subject to change without notice.

**KINSEKI, LIMITED**