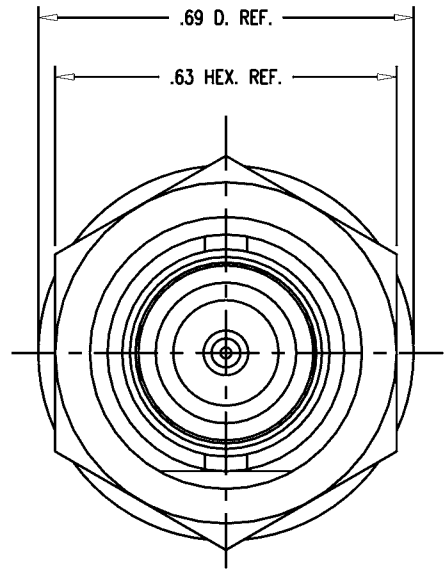
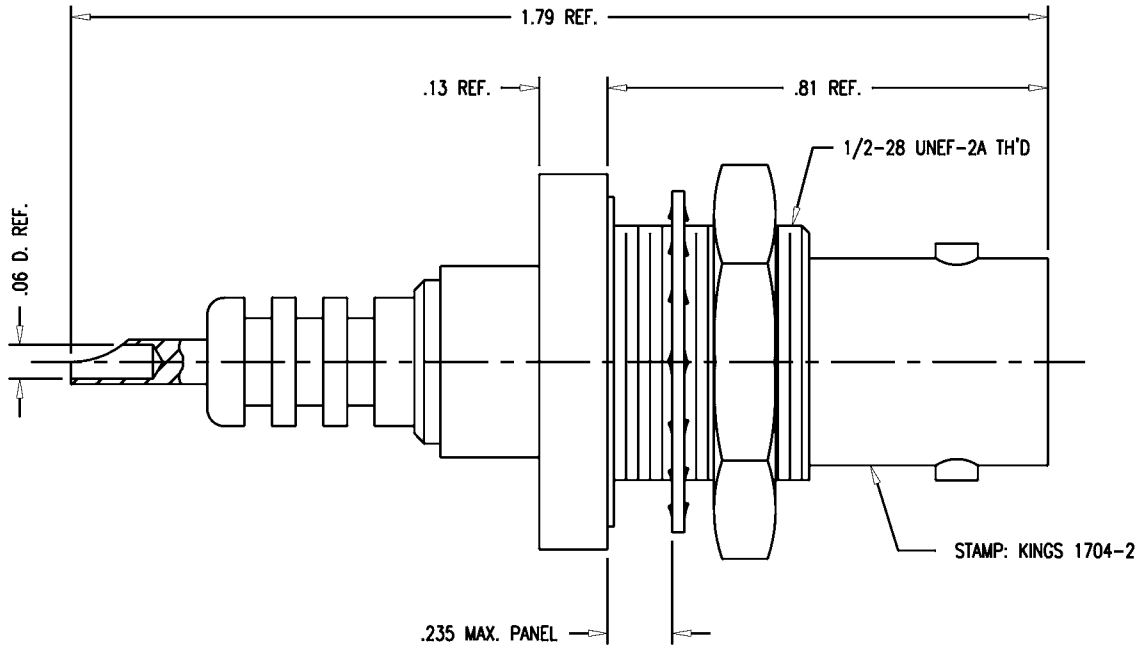
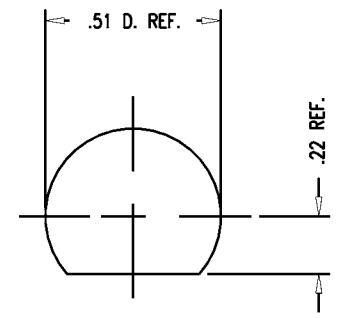


SD



- NOTES:
- INTERFACE PER MIL-STD-348, FIG. 314-1.
  - MATERIALS:  
 INSULATOR: TEFLON, ASTM-D-1457  
 LOCKWASHER: PHOSPHOR BRONZE, QQ-B-750  
 GASKET: SILICONE RUBBER, ZZ-R-765  
 ALL OTHER METAL PARTS: BRASS, ASTM-B16
  - FINISHES:  
 CENTER CONTACT: GOLD PLATE PER MIL-G-45204  
 ALL OTHER METAL PARTS: KINGS TARNISH RESISTANT FINISH (TR-5)
  - ELECTRICAL CHARACTERISTICS:  
 NOMINAL IMPEDANCE: NON-CONSTANT  
 VOLTAGE RATING: 3500 VRMS  
 5000 VDC



MOUNTING HOLE

SD

1704-2

REVISIONS	
ISSUE	CHANGES
4	CN 34186 C REDRAWN KH 11/06/92
5	CN 34316 C JCA 11/23/92
6	CN 37593 C MRM 03/11/98

SCALE 4:1	
APPROX SURFACE AREA	
USED ON	
REF:	
RECEPTACLE, BULKHEAD, SHV, M	
DRAWN KH	DATE 11/09/92
DESIGN LJ	DATE 11/10/92
APPR.	DATE
<b>KINGS</b> ELECTRONICS CO., INC. TUCKAHOE, NEW YORK 10707	
1704-2	

1704-2C