

Specifications:

1. Meet FCC Parts 68.
2. Material and finish:
Housing: Polycarbonate (PC)
Contact Blade: Phosphor bronze Gold Plating
3. Mechanical:
Cable-to-Plug tensile strength: 20 lbs Min.
Durability: 500 cycles Min.
4. Electrical:
Rated Voltage, Current: 30V a.c. at 1.5 Amps
Contacts resistance: 10 mohm max.
Dielectric Strength: 1000V a.c. (RMS)
Insulation Resistance: 500 Mohm min.
5. Operating Temperature: -20°C to 80°C

ORDERING INFORMATION:

1001-6P4C X - XX

R: Round cable

F: Flat cable

GF: FLASH

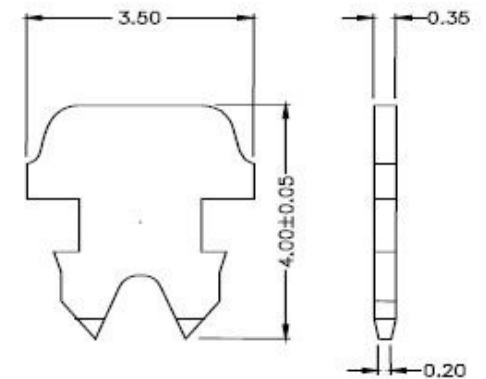
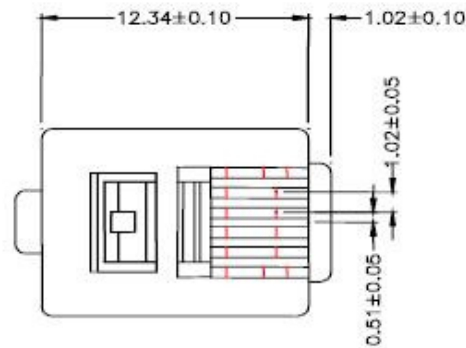
03: 3 Microinches

06: 6 Microinches

15: 15 Microinches

30: 30 Microinches

50: 50 Microinches



Rosenberger

ITEM NO :		1001-6P4CX-XX	
DSGN	SUN	UNIT	m / m
CHK		SCALE	3 / 1
APPR		DATE	2011 12 20