

Product Specifications



CA-FFFF

F Flange Female to F Flange Female Adapter

CHARACTERISTICS

General Specifications

Interface	F Flange Female
Interface 2	F Flange Female
Body Style	Straight
Mounting Angle	Straight

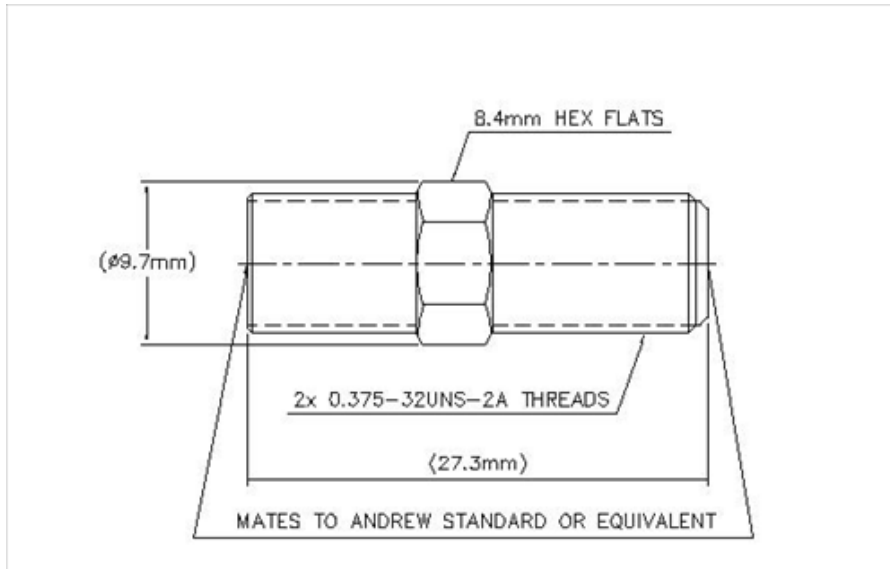
Electrical Specifications

Connector Impedance	75 ohm
Operating Frequency Band	0 – 2000 MHz
dc Test Voltage	1000 V
Outer Contact Resistance, maximum	1.00 mOhm
Inner Contact Resistance, maximum	10.00 mOhm
Insulation Resistance, minimum	5000 MOhm

Product Specifications

CA-FFFF

Outline Drawing



Mechanical Specifications

Inner Contact Plating	Silver
Interface Durability	100 cycles
Outer Contact Plating	Nickel
Pressurizable	No

Dimensions

Diameter	9.73 mm 0.38 in
Length	27.30 mm 1.07 in
Weight	12.60 g 0.03 lb
Width	9.73 mm 0.38 in

Environmental Specifications

Operating Temperature	-55 °C to +85 °C (-67 °F to +185 °F)
Storage Temperature	-65 °C to +125 °C (-85 °F to +257 °F)
Mechanical Shock Test Method	IEC 60068-2-27
Climatic Sequence Test Method	IEC 60068-1
Damp Heat Steady State Test Method	IEC 60068-2-3
Thermal Shock Test Method	IEC 60068-2-14
Vibration Test Method	IEC 60068-2-6
Corrosion Test Method	IEC 60068-2-11

Product Specifications

CA-FFFF



Standard Conditions

Attenuation, Ambient Temperature	20 °C		68 °F
Average Power, Ambient Temperature	40 °C		104 °F
Average Power, Inner Conductor Temperature	100 °C		212 °F

Return Loss

Frequency Band	VSWR	Return Loss (dB)
0–2000 MHz	1.30	17.69

Regulatory Compliance/Certifications

Agency	Classification
RoHS 2002/95/EC	Compliant by Exemption
China RoHS SJ/T 11364-2006	Above Maximum Concentration Value (MCV)

