

CURRENT SENSE INDUCTORS

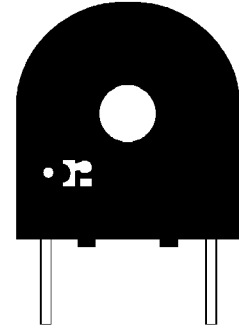
DESIGNED FOR SWITCHING POWER SUPPLY APPLICATIONS

HOLE THRU CENTER FOR PRIMARY WINDING

FREQUENCY RANGE 20KHZ OR GREATER

1 TURN PRIMARY PEAK SENSE CURRENT 20 AMPS

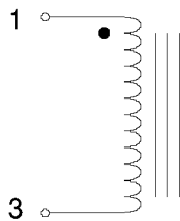
2500V RMS HIPOT



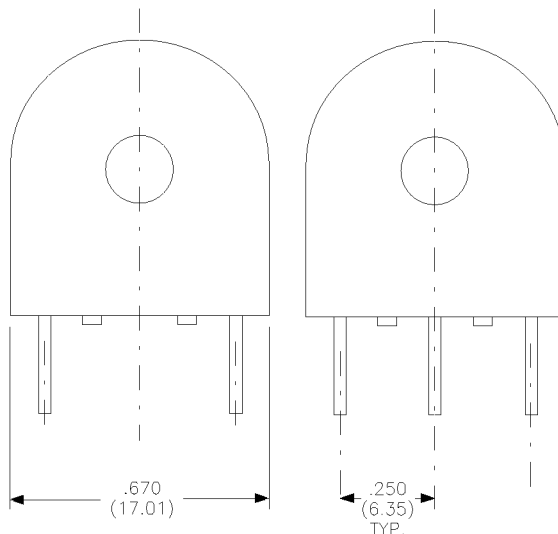
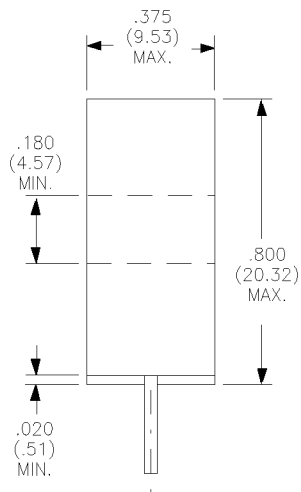
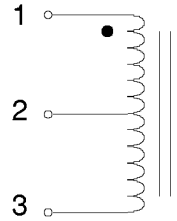
Electrical Specifications at 25°C

| Part Number | Schematic Style | Secondary Turns | Secondary Induct. min. (mH) | DCR max. (Ω) | Terminating Resistance (Ω) | Pri. Unipolar Amp-microsec. Max. Rating | Pri. Bipolar Amp-microsec. Max. Rating |
|-------------|-----------------|-----------------|-----------------------------|-----------------------|-------------------------------------|---|--|
| L-11001 | A | 50 | 5.0 | 0.70 | 50 | 150 | 300 |
| L-11002 | A | 100 | 20.0 | 1.40 | 100 | 300 | 600 |
| L-11003 | A | 200 | 80.0 | 4.70 | 200 | 600 | 1200 |
| L-11004 | A | 300 | 180.0 | 11.00 | 300 | 900 | 1800 |
| L-11011 | B | 50CT | 5.0 | 0.70 | 50 | 150 | 300 |
| L-11012 | B | 100CT | 20.0 | 1.40 | 100 | 300 | 600 |
| L-11013 | B | 200CT | 80.0 | 4.50 | 200 | 600 | 1200 |
| L-11014 | B | 300CT | 180.0 | 11.00 | 300 | 900 | 1800 |

STYLE "A" SCHEMATIC



STYLE "B" SCHEMATIC



Physical Dimensions inches (mm)

- 1) Leads are 20 AWG
- 2) Lead length is .170 Min.

Specifications are subject to change without notice

I-SENSE - 2/96