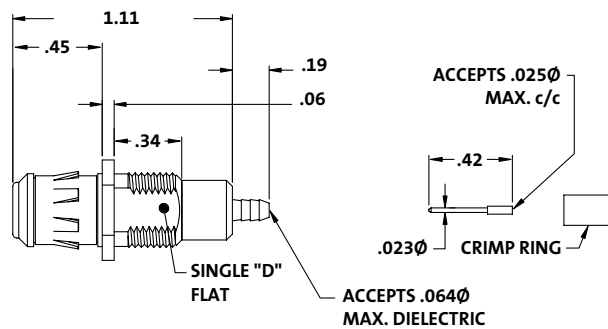


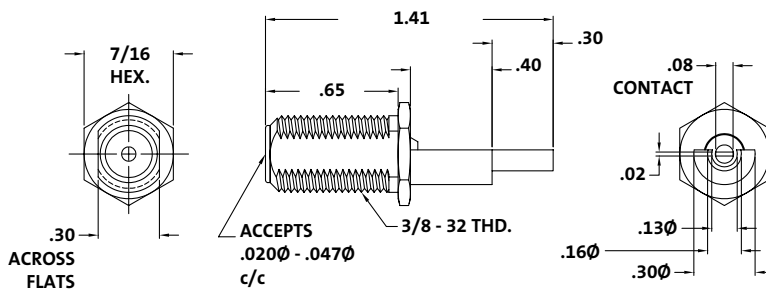
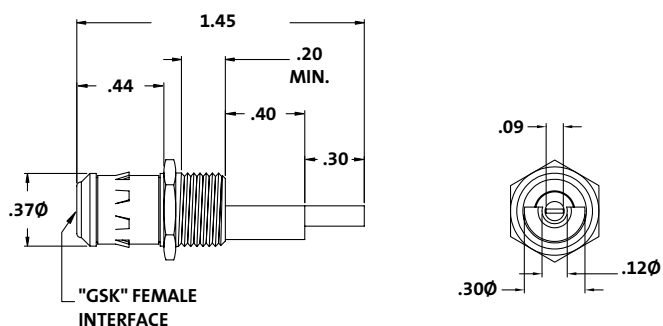
Catalog Number

GF-1096-1



RG-179B/U GSK Female Coax Connector

Catalog Number	Interface	Insulator
NS-6623-3	GSK Female	PTFE
NS-6623-7	F Female	PTFE
NS-6623-1	F Female	PP



RG-179B/U Direct c/c Solder Coax Connector