

Customer Information Sheet

DRAWING No.: S5011-XX / S5021-XX

SHEET 2 OF 2

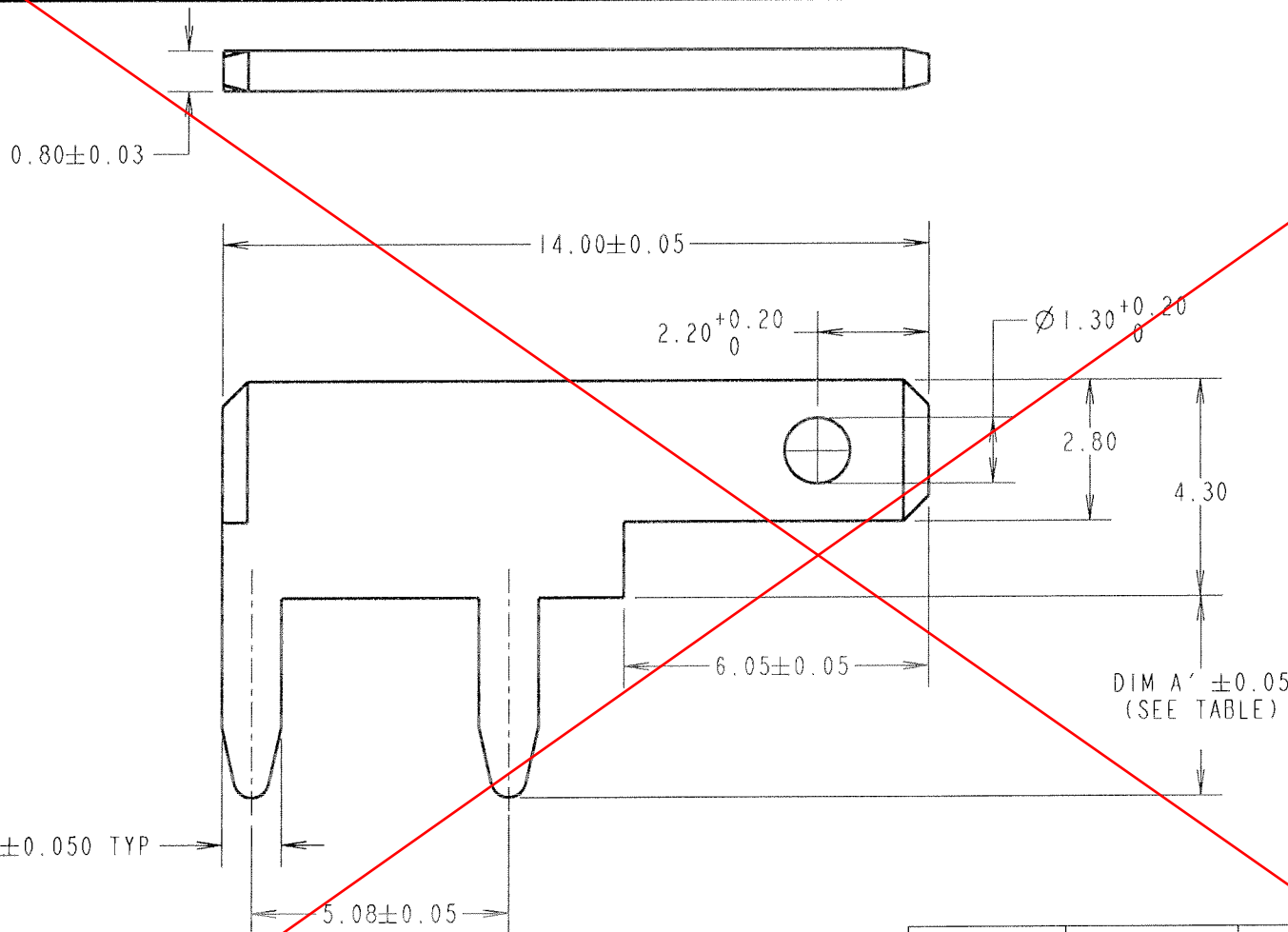
IF IN DOUBT - ASK

(C)

NOT TO SCALE

THIRD ANGLE PROJECTION

ALL DIMENSIONS IN mm



ORDER CODE:
S5XX1-XX
 TYPE: 01 OR 02
 (SEE TABLE)
 FINISH:
 06 - TIN/LEAD
 46 - 100% TIN

OBSOLETE

1.175±0.050 TYP

DIM 'A' ±0.05
 (SEE TABLE)

- NOTES:
 1. RECOMMENDED MOUNTING HOLE SIZE = $\varnothing 1.25 \pm 0.06$ mm.
 2. PRODUCT IS PACKED IN QUANTITIES OF 1K.

PART No.	DIM 'A'	PCB THICKNESS
S5011-XX	3.00	1.60
S5021-XX	3.80	2.40

RA	10	22.06.07	9801
NAME	ISS.	DATE	C/NOTE
APPROVED:	<i>Ask</i>		
CHECKED:	<i>A. J. M.</i>		
DRAWN:	I. SANDY		
CUSTOMER REF.:			
ASSEMBLY DRG:			

HARWIN

HARWIN USA TEL: 603 893 5376 FAX: 603 893 5396 mis@harwin.com	HARWIN Europe (UK) TEL: 023 9231 4545 FAX: 023 9231 4590 mis@harwin.co.uk	HARWIN Asia TEL: +65 6 779 4909 FAX: +65 6 779 3868 mis@harwin.com.sg
--	--	--

THIS DRAWING AND ANY INFORMATION OR DESCRIPTIVE MATTER SET OUT HEREON ARE CONFIDENTIAL AND COPYRIGHT PROPERTY OF THE HARWIN GROUP AND MUST NOT BE DISCLOSED, LOANED, COPIED OR USED FOR MANUFACTURING, TENDERING OR FOR ANY OTHER PURPOSE WITHOUT THEIR WRITTEN PERMISSION.

TOLERANCES
 X. = ±1mm
 X.X = ±0.25mm
 X.XX = ±0.10mm
 X.XXX = ±0.01mm
 ANGLES = ±5°
 UNLESS STATED

MATERIAL:
 BRASS CW508L HARD TO
 BS EN 1652
 (CuZn37 HARD)
 FINISH: SEE ORDER CODE
 S/AREA: mm²

TITLE:
 2.8mm HORIZONTAL BLADE
 TAB TERMINAL (LOOSE)
 DRAWING NUMBER:
S5011-XX / S5021-XX

SHT
 2 OF 2