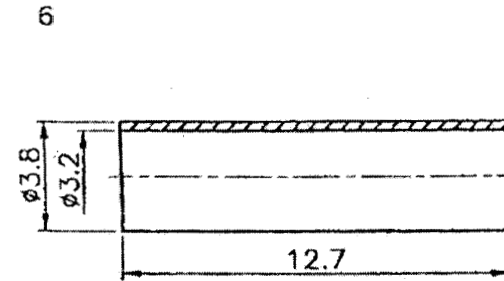
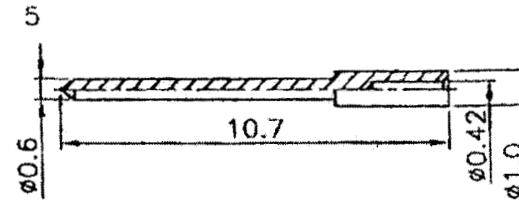
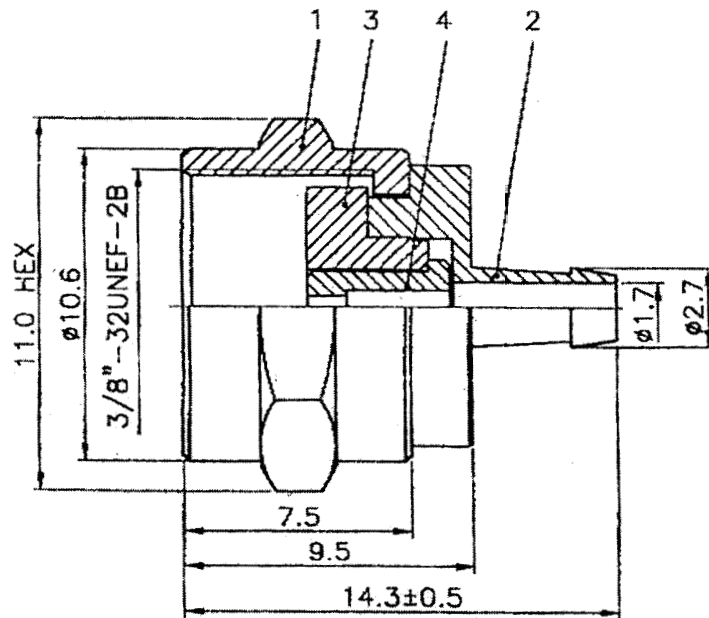


**SPECIFICATIONS**

Impedance: 75 ohms  
 Frequency range: 0-2 GHz  
 Voltage rating: 250 VRMS max.  
 Withstanding: 500 VRMS for 1 min.  
 VSWR: 1.15 to 1.35 (17dB to 23dB)  
 Center contact resistance: 5 milliohms max.  
 Outer contact resistance: 1 milliohms max.  
 Insulator resistance: 1,000 megohms min.

Item	Description	Material	Finish
1	Shell	Brass	Nickel
2	Body	Brass	Nickel
3	Body	Brass	Nickel
4	Insulator	Teflon	White
5	Pin	Brass	Gold
6	Ring	Brass	Nickel



RoHS compliant

Rev.	Description	Date	Approved	Drawing	Name	Date
				Approved	Howard	08/10/99
				Checked	Lizzy	08/10/99
				Drawn	Tina	08/10/99
				0.0 ± 0.35	0.00 ± 0.20	Angles ± 3'
				UNIT: mm		

**Central Components Manufacturing**  
 440 Lincoln Blvd., Middlesex, New Jersey 08846  
 Phone 732 469-5720 888 288-5152 Fax 732 469-1919

Part No.: **CRF-F-7201-B**

Description: F male crimp, 75 OHM, for RG174/U