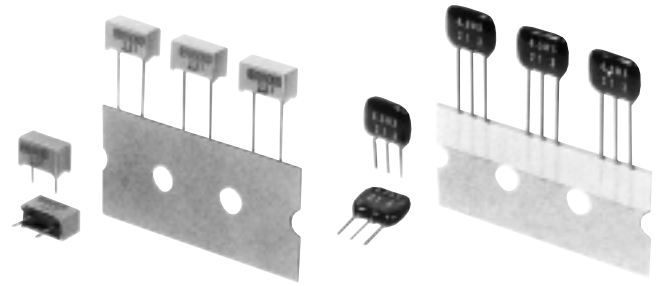


Ceramic Trap Filters "CERAP"

Type: **BN/ W/composite/3F**



Ceramic Filter, "CERAP" is useful in a sound trap circuit of a TV receiver whereby the sound i-f signal can be successfully eliminated from the video signal. Use of "CERAP" makes the circuitry simple and adjustment-free.

■ Features

- Conventional LC filters can be replaced
- Contributes to circuit simplification because it is adjustment-free
- Low insertion loss
- Excellent spurious suppression characteristics in video frequency range
- Wide bandwidth can be achieved with inductors

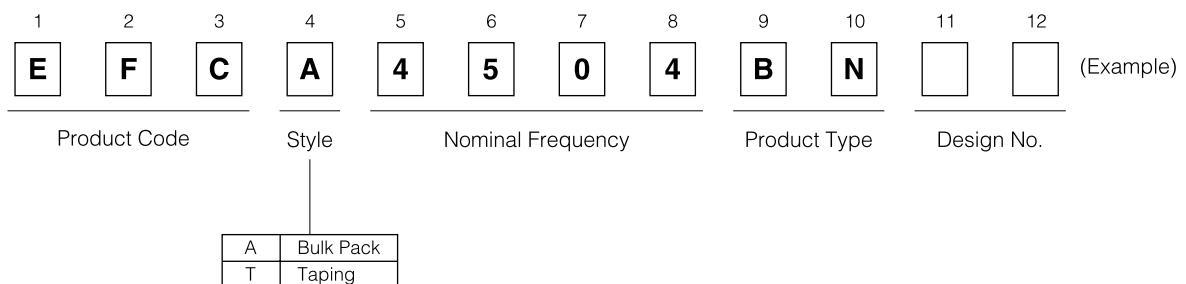
■ Recommended Applications

- Sound trap filter for TVs and VCRs
- Chroma trap filter for TVs and VCRs

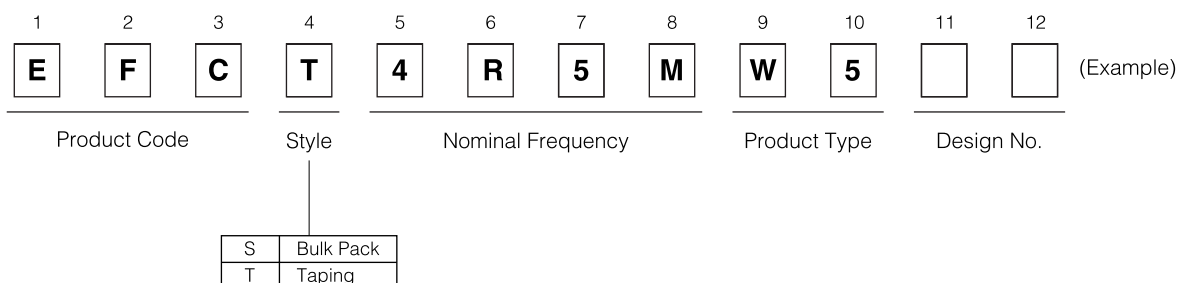
■ Safety Precautions (See Page 217)

■ Explanation of Part Numbers

BN Type



W/Composite/3F Type



① Type BN, 2-Terminals Type "CERAP"

■ Ratings and Characteristics

Part No.		Nominal Frequency* (F ₀)	Center Frequency (f ₀)	Attenuation at f ₀	Spurious Response
Bulk Pack	Taping				
EFGA3584BN	EFCT3584BN	3.58 MHz	3.58 MHz ±0.5 %	20 dB min.	Below 3.58 MHz: 2 dB max.
EFGA4434BN	EFCT4434BN	4.43 MHz	4.43 MHz ±0.5 %	20 dB min.	Below 4.43 MHz: 2 dB max.
EFGA4504BN	EFCT4504BN	4.5 MHz	4.5 MHz ±0.5 %	20 dB min.	Below 4.5 MHz: 2 dB max.
EFGA5504BN	EFCT5504BN	5.5 MHz	5.5 MHz ±0.5 %	20 dB min.	Below 5.5 MHz: 2 dB max.
EFGA6004BN	EFCT6004BN	6.0 MHz	6.0 MHz ±0.5 %	20 dB min.	Below 6.0 MHz: 2 dB max.
EFGA6504BN	EFCT6504BN	6.5 MHz	6.5 MHz ±0.5 %	20 dB min.	Below 6.5 MHz: 2 dB max.

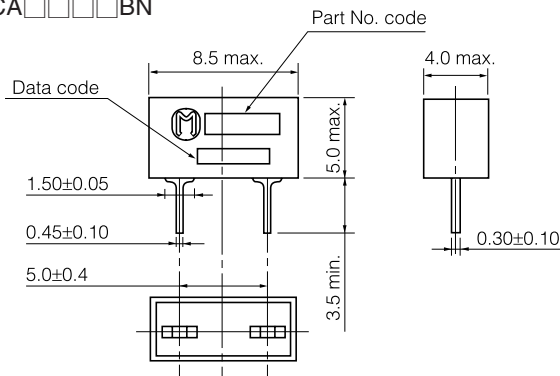
● Operating Temperature Range: -20 to 80 °C

* Other frequencies are available between 3.58 to 7 MHz upon special order.

■ Dimensions in mm (not to scale)

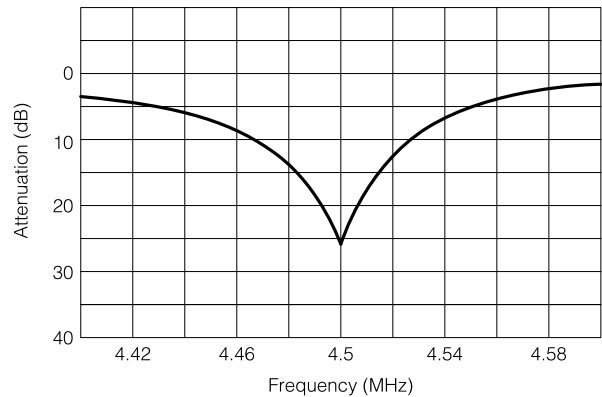
● Bulk Pack

EFGA□□□□BN

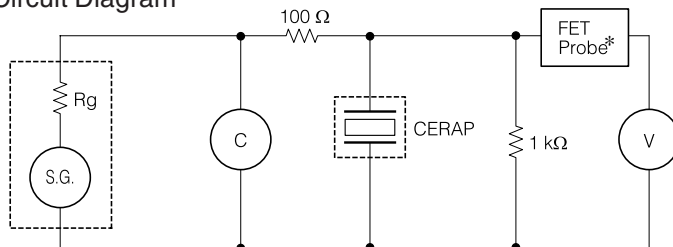


■ Typical Characteristics

[EFGA4504BN]



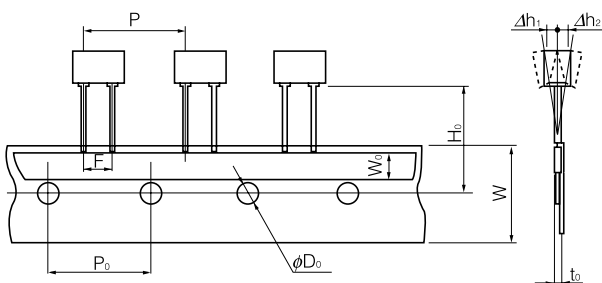
■ Test Circuit Diagram



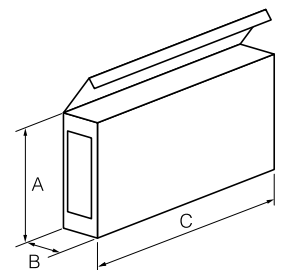
C : Frequency counter
S.G. : Signal generator
V : Voltmeter

*10 MΩ min. and 2 pF max.

■ Dimensions for Taping in mm (not to scale)



Dimensions	
P	12.7±1.0
P ₀	12.7±0.3
W	18.0±1.0
W ₀	6.0 min.
H ₀	18.50±0.75
φD ₀	φ4.0±0.2
F	5.0±0.4
t ₀	1.5 max.
Δh ₁ , Δh ₂	2.0 max.



Dimensions*	
A	160 to 170
B	40 to 45
C	330

* Tolerance: ±3 mm

● Packing Quantity: 1000 pcs./box

② Type W, 3-Terminals Type "CERAP"

■ Ratings and Characteristics

Part No.		Nominal Frequency* (F ₀)	Attenuation at Nominal Frequency	Attenuation at Nominal Frequency ±30 kHz	Spurious Response
Bulk Pack	Taping				
EFCS4R5MW5	EFCT4R5MW5	4.5 MHz	30 dB min.	17 dB min.	Below 4.5 MHz: 1 dB max.
EFCS5R5MW5	EFCT5R5MW5	5.5 MHz	30 dB min.	17 dB min.	Below 5.5 MHz: 1 dB max.
EFCS6R0MW5	EFCT6R0MW5	6.0 MHz	30 dB min.	17 dB min.	Below 6.0 MHz: 1 dB max.
EFCS6R5MW5	EFCT6R5MW5	6.5 MHz	30 dB min.	17 dB min.	Below 6.5 MHz: 1 dB max.

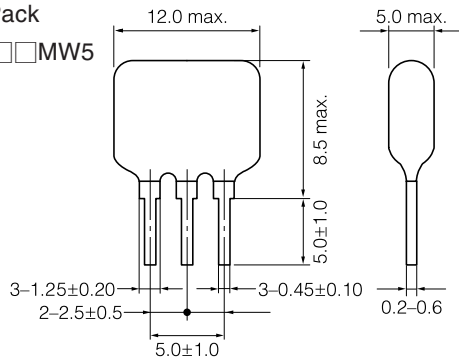
● Operating Temperature Range: -20 to 80 °C

* Other combinations of 3-different frequency ratings are available between 3.58 to 7 MHz upon special order.

■ Dimensions in mm (not to scale)

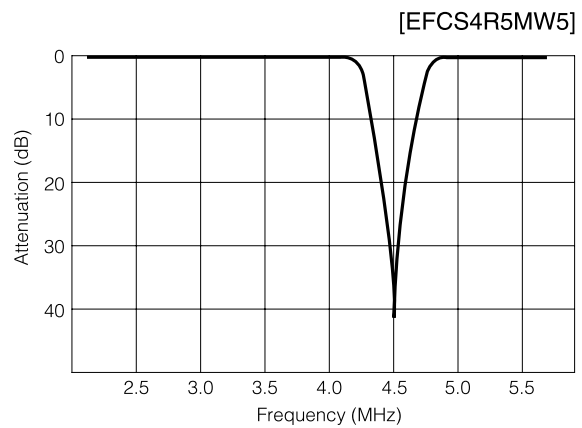
● Bulk Pack

EFCS□□□MW5



● Packing Quantity: 4000 pcs./box

■ Typical Characteristics



③ Composite Type "CERAP"

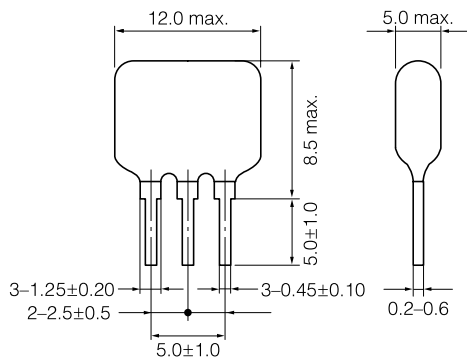
■ Ratings and Characteristics

Part No.		Nominal Frequency* (F _□)	Attenuation at F _□		Bandwidth (-30 dB)
Bulk Pack	Taping		(F ₁)	(F ₂)	
EFCS5M7MW5	EFCT5M7MW5	(F ₁) 5.5 MHz (F ₂) 5.74 MHz	30 dB min.	30 dB min.	70 kHz min.
EFCS5M6MW5	EFCT5M6MW5	(F ₁) 5.5 MHz (F ₂) 6.0 MHz	30 dB min.	30 dB min.	70 kHz min.
EFCS5M65MW5	EFCT5M65MW5	(F ₁) 5.5 MHz (F ₂) 6.5 MHz	30 dB min.	30 dB min.	70 kHz min.
EFCS6M65MW5	EFCT6M65MW5	(F ₁) 6.0 MHz (F ₂) 6.5 MHz	30 dB min.	30 dB min.	70 kHz min.

● Operating Temperature Range: -20 to 80 °C

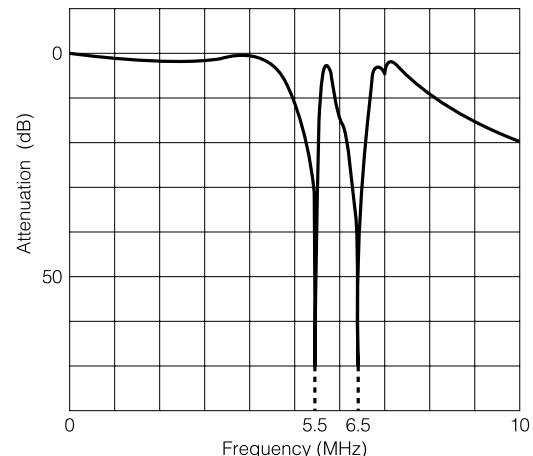
* Other frequencies are available between 3.58 to 7 MHz upon special order.

■ Dimensions in mm (not to scale)



● Packing Quantity: 4000 pcs./box

■ Typical Characteristics [EFCS5M65MW5]



④ Type 3F, Built-In 3 Trap-filters

■ Ratings and Characteristics

Part No.		Nominal Frequency* (F _□)	Attenuation at F ₀	Attenuation at F _□ ±30 kHz	Band Width (-30 dB)
Bulk Pack	Taping				
EFCS3F01W5	EFCT3F01W5	(F ₁) 5.5 MHz (F ₂) 5.74 MHz (F ₃) 6.5 MHz	30 dB min.	20 dB min.	70 kHz min.
EFCS3F02W5	EFCT3F02W5	(F ₁) 5.5 MHz (F ₂) 6.0 MHz (F ₃) 6.5 MHz	30 dB min.	20 dB min.	70 kHz min.

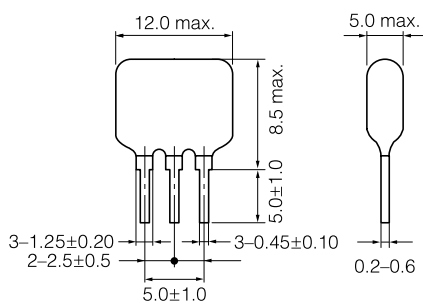
● Operating Temperature Range: -20 to 80 °C

* Other combinations of 3-different frequency ratings are available between 3.58 to 7 MHz upon special order.

■ Dimensions in mm (not to scale)

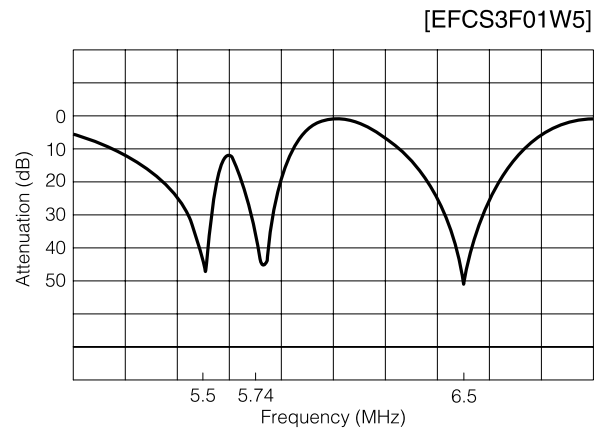
● Bulk Pack

EFCS3F□□W5



● Packing Quantity: 4000 pcs./box

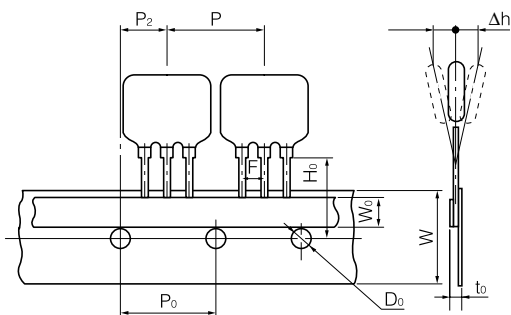
■ Typical Characteristics



■ Dimensions in mm (not to scale)

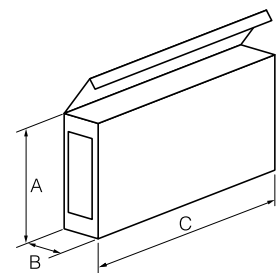
● Taping

● Type W, Composite Type and Type 3F



● Packing Quantity: 1000 pcs./box

Dimensions	
P	12.7±1.0
P ₀	12.7±0.3
P ₂	6.35±1.30
H ₀	18.50±0.75
F	2.5±0.8
Δh	2.0 max.
W	18.0±1.0
W ₀	6.0 min.
D ₀	φ4.0±0.2
t ₀	1.5 max.



Dimensions*	
A	160 to 170
B	40 to 45
C	330

* Tolerance: ±3 mm