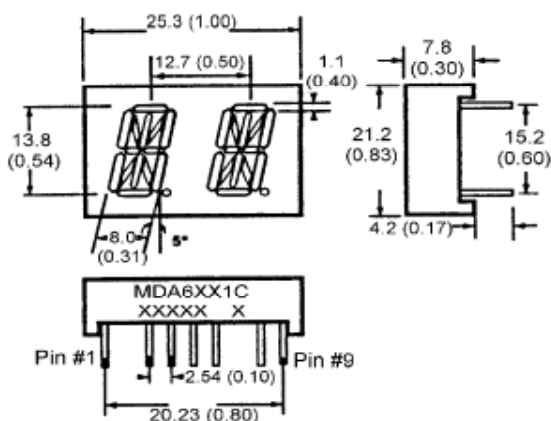




**0.54 INCH (13.8MM)  
14 SEGMENT, DUAL DIGIT  
ALPHA - NUMERIC STICK DISPLAY**

<b>BRIGHT RED</b>	<b>MDA6111C</b>
<b>YELLOW</b>	<b>MDA6311C</b>
<b>GREEN</b>	<b>MDA6411C</b>
<b>HIGH EFF. RED</b>	<b>MDA6911C</b>

**PACKAGE DIMENSIONS**



**FEATURES**

- Easy to read digits.
- 2 digit common cathode.
- Multiplexing pin out
- Low power consumption.
- Bold segments that are highly visible.
- High brightness with high contrast
- White segments on a grey face.
- Directly compatible with integrated circuits.
- Rugged plastic/epoxy construction.

**APPLICATIONS**

- Digital readout displays.
- Instrument panels.

NOTES: Dimensions are in mm (inch)  
All pins are 0.5 (0.02) diameter  
Tolerances are ± 0.25 (0.01) unless otherwise noted.

**MODEL NUMBERS**

<u>Part number</u>	<u>Color</u>	<u>Description</u>
MDA6111C	Bright Red	2 Digit; Common Andoe; Rt.Hand Decimal
MDA6311C	Yellow	2 Digit; Common Anode; Rt.Hand Decimal
MDA6411C	Green	2 Digit; Common Anode; Rt Hand Decimal
MDA6911C	High Eff. Red	2 Digit; Common Anode; Rt Hand Decimal

(For other color options, contact your local area Sales Office)



**0.54 INCH (13.8MM)  
14 SEGMENT, DUAL DIGIT  
ALPHA - NUMERIC STICK DISPLAY**

**ABSOLUTE MAXIMUM RATING** ( $T_A=25^{\circ}\text{C}$  unless otherwise specified)

Part number	B.Red MDA 6111C	Yellow MDA 6311C	Green MDA 6411C	High Eff. Red MDA 6911C	Unit
Continuous forward current ( $I_F$ ) Per Segment.....	15	20	30	30	mA
Peak forward current per die ( $I_P$ ). (at $f = 1.0$ KHz, Duty factor = 1/10)	50	80	90	160	mA
Power dissipation ( $P_D$ ).....	40*	70*	70*	90*	mW
*Derate Linearly From $25^{\circ}\text{C}$ .....	0.17	0.25	0.33	0.33	mW/ $^{\circ}\text{C}$
Reverse voltage per dice.....	5V				
Operating and Storage temperature range.....	- $40^{\circ}\text{C}$ to $+85^{\circ}\text{C}$				
Lead soldering time (at 1/16 inch from the bottom of lamp).....	5 seconds @ $230^{\circ}\text{C}$				

**ELECTRO - OPTICAL CHARACTERISTICS** ( $T_A = 25^{\circ}\text{C}$  unless otherwise specified)

Part number	B. Red MDA 6111C	Yellow MDA 6311C	Green MDA 6411C	High Eff. Red MDA 6911C	Test Condition
Luminous intensity (ucd) minimum	500	1000	750	1000	$I_F = 20$ mA
typical	1400	4000	5000	4000	$I_F = 20$ mA
Forward voltage ( $V_F$ ) typical	2.1	2.1	2.1	2.0	$I_F = 20$ mA
maximum	2.6	2.8	2.8	2.8	$I_F = 20$ mA
Peak wavelength (nm)	697	590	570	635	$I_F = 20$ mA
Spectral line half width (nm)	90	30	30	35	$I_F = 20$ mA
Reverse breakdown voltage ( $V_R$ )	5	5	5	5	$I_R = 100$ uA



0.54 INCH (13.8MM)  
14 SEGMENT, DUAL DIGIT  
ALPHA - NUMERIC STICK DISPLAY

PINOUT

MDA6X11C - Common Anode

