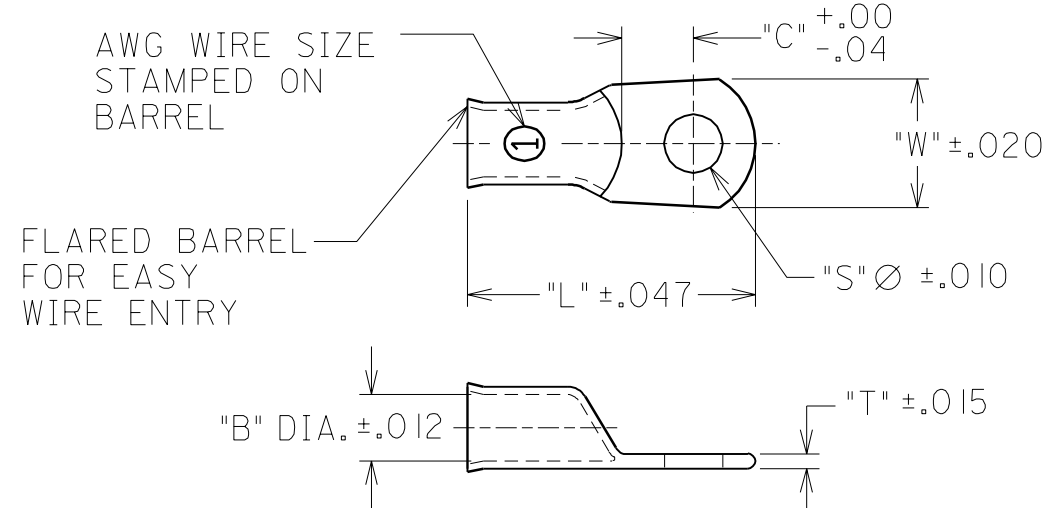


10	9	8	7	6	5	4	3	2	1		
TIN PLATED MATERIAL NO. (E)	TIN PLATED ALTERNATE NO.	UNPLATED MATERIAL NO. (E)	UNPLATED ALTERNATE NO. (E)	AWG WIRE RANGE	STUD SIZE	"S"	"L"	"W"	"C"	"B"	"T"
192210223	BCL-810-PL	192210408	BCL-810	8	10	.214	1.200	.445	.375	.185	.070
192210224	BCL-814-PL	192210409	BCL-814	8	1/4	.278	1.200	.445	.375	.185	.070
192210225	BCL-8516-PL	192210411	BCL-8516	8	5/16	.340	1.200	.445	.375	.185	.070
192210226	BCL-838-PL	192210410	BCL-838	8	3/8	.400	1.305	.605	.375	.185	.070
192210414 (E)	BCL-812-PL	192210415	BCL-812	8	1/2	.520	1.470	.765	.410	.185	.070
192210424	BCL-610-PL	192210425	BCL-610	6	10	.214	1.270	.445	.350	.230	.075
192210227	BCL-614-PL	192210406	BCL-614	6	1/4	.278	1.270	.630	.390	.230	.080
192210228	BCL-6516-PL	192210407	BCL-6516	6	5/16	.340	1.410	.630	.390	.230	.080
192210229	BCL-638-PL	192210384	BCL-638	6	3/8	.400	1.410	.630	.390	.230	.080
192210416 (E)	BCL-612-PL	192210417	BCL-612	6	1/2	.520	1.560	.765	.410	.230	.080
192210230	BCL-414-PL	192210404	BCL-414	4	1/4	.278	1.530	.525	.410	.283	.080
192210231	BCL-4516-PL	192210405	BCL-4516	4	5/16	.340	1.530	.525	.410	.283	.080
192210232	BCL-438-PL	192210383	BCL-438	4	3/8	.400	1.530	.525	.410	.283	.080
192210418 (E)	BCL-214-PL	192210419	BCL-214	2	1/4	.278	1.620	.615	.410	.330	.095
192210233	BCL-2516-PL	192210400	BCL-2516	2	5/16	.340	1.620	.615	.410	.330	.095
192210235	BCL-238-PL	192210380	BCL-238	2	3/8	.400	1.620	.615	.410	.330	.095
192210236	BCL-212-PL	192210399	BCL-212	2	1/2	.520	1.750	.765	.468	.330	.095
192210420 (E)	BCL-114-PL	192210421	BCL-114	1	1/4	.278	1.720	.655	.410	.350	.100
192210237	BCL-1516-PL	192210396	BCL-1516	1	5/16	.340	1.720	.655	.410	.350	.100
192210238	BCL-138-PL	192210378	BCL-138	1	3/8	.400	1.720	.655	.410	.350	.100
192210239	BCL-112-PL	192210395	BCL-112	1	1/2	.520	1.830	.765	.468	.350	.100
192210422 (E)	BCL-1014-PL	192210423	BCL-1014	1/0	1/4	.278	1.830	.725	.410	.400	.110
192210240	BCL-10516-PL	192210394	BCL-10516	1/0	5/16	.340	1.830	.725	.410	.400	.110
192210241	BCL-1038-PL	192210377	BCL-1038	1/0	3/8	.400	1.830	.725	.410	.400	.110
192210242	BCL-1012-PL	192210393	BCL-1012	1/0	1/2	.520	1.830	.725	.410	.400	.110
192210234 (E)	BCL-2014-PL	192210249	BCL-2014	2/0	1/4	.340	2.062	.815	.500	.454	.110
192210243	BCL-20516-PL	192210398	BCL-20516	2/0	5/16	.340	2.062	.815	.500	.454	.110
192210244	BCL-2038-PL	192210379	BCL-2038	2/0	3/8	.400	2.062	.815	.500	.454	.110
192210245	BCL-2012-PL	192210397	BCL-2012	2/0	1/2	.520	2.062	.815	.500	.454	.110
192210246	BCL-30516-PL	192210402	BCL-30516	3/0	5/16	.340	2.160	.906	.500	.509	.115
192210247	BCL-3038-PL	192210381	BCL-3038	3/0	3/8	.400	2.160	.906	.500	.509	.115
192210248	BCL-3012-PL	192210401	BCL-3012	3/0	1/2	.520	2.160	.906	.500	.509	.115
192210412	BCL-40516-PL	192210413	BCL-40516	4/0	5/16	.340	2.350	.985	.530	.557	.135
192210250	BCL-4038-PL	192210382	BCL-4038	4/0	3/8	.400	2.350	.985	.530	.557	.135
192210251	BCL-4012-PL	192210403	BCL-4012	4/0	1/2	.520	2.350	.985	.530	.557	.135

E	ADDED 192210234 AND 192210249 ETC2000-0026 9/2
D	CHANGE DIMENSIONS ON THREE PARTS ET80563 12/17 JH
C	ADD DIMENSIONS FOR BCL-610-PL ECN60597 10/31 JH
B	DCN-1201 10/19/94 EMF
LTR.	REVISIONS

MATERIAL: COPPER
PLATING: TIN

NOTES:
1. FOR INSPECTION SIGHT HOLE, PLEASE CONSULT FACTORY.
2. OTHER STUD SIZES MAY BE AVAILABLE, PLEASE CONSULT FACTORY.



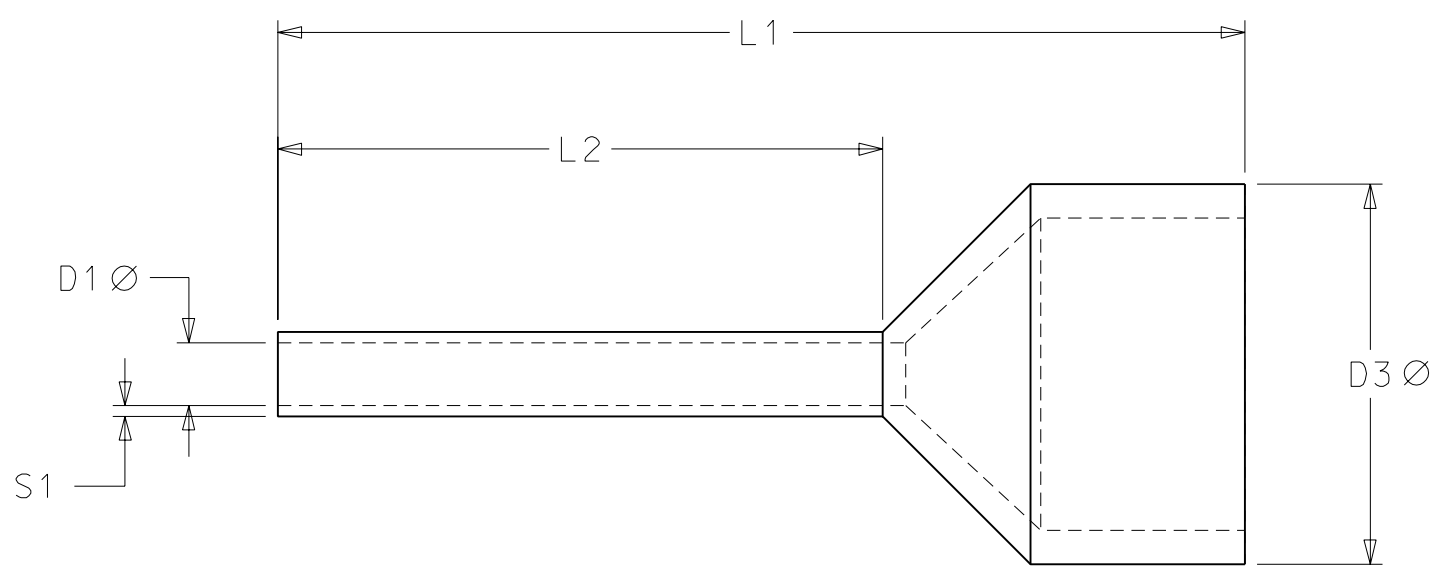
CUSTOMER DRAWING

DIMENSIONS SHOWN (METRIC) INCH	
UNLESS OTHERWISE SPECIFIED TOLERANCES: ANGULAR ± 1/2°	
	INCH METRIC
3 PLACE	± .005 ± ---
2 PLACE	± .01 ± 0.13
1 PLACE	± --- ± 0.25
DRAFT WHERE APPLICABLE MUST REMAIN WITHIN DIMENSIONS	
DRWG. BY: JM	CHK'D. BY: RWD
APP'D. BY: RWD	SCALE: NO:NE

REVISE ONLY ON CAD SYSTEM			
TITLE EYELET STYLE COPPER TERMINALS LUGS			
molex ETC INC. PINELLAS PARK, FLA. 33781 U.S.A.		SHEET NO.	DATE 94/02/14
PART NO. SEE CHART		DRWG. NO. SD-19221-001	
FILE NAME 19221001 CST	THIS DRAWING CONTAINS INFORMATION THAT IS PROPRIETARY TO MOLEX-ETC INC. AND SHOULD NOT BE USED WITHOUT WRITTEN PERMISSION.		SIZE B

10	9	8	7	6	5	4	3	2	1
MATERIAL NUMBER	COLOR	WIRE SIZE AWG(mm)	D1	D3	L1	L2	S1		
195021001	WHITE	20(0,5)	.039(1,0)	.122(3,1)	.475(12)	.236(6)	.006(0,15)		
195021002	WHITE	20(0,5)	.039(1,0)	.122(3,1)	.551(14)	.315(8)	.006(0,15)		
195021003	WHITE	20(0,5)	.039(1,0)	.122(3,1)	.630(16)	.394(10)	.006(0,15)		
195021004	GREY	18(0,75)	.047(1,2)	.130(3,3)	.475(12)	.236(6)	.006(0,15)		
195021005	GREY	18(0,75)	.047(1,2)	.130(3,3)	.551(14)	.315(8)	.006(0,15)		
195021006	GREY	18(0,75)	.047(1,2)	.130(3,3)	.630(16)	.394(10)	.006(0,15)		
195021007	GREY	18(0,75)	.047(1,2)	.130(3,3)	.708(18)	.472(12)	.006(0,15)		
195021008	RED	17(1,0)	.055(1,4)	.138(3,5)	.475(12)	.236(6)	.006(0,15)		
195021009	RED	17(1,0)	.055(1,4)	.138(3,5)	.551(14)	.315(8)	.006(0,15)		
195021010	RED	17(1,0)	.055(1,4)	.138(3,5)	.630(16)	.394(10)	.006(0,15)		
195021011	RED	17(1,0)	.055(1,4)	.138(3,5)	.708(18)	.472(12)	.006(0,15)		
195021012	BLACK	16(1,5)	.067(1,7)	.157(4,0)	.551(14)	.315(8)	.006(0,15)		
195021013	BLACK	16(1,5)	.067(1,7)	.157(4,0)	.630(16)	.394(10)	.006(0,15)		
195021014	BLACK	16(1,5)	.067(1,7)	.157(4,0)	.708(18)	.472(12)	.006(0,15)		
195021015	BLACK	16(1,5)	.067(1,7)	.157(4,0)	.945(24)	.709(18)	.006(0,15)		
195021016	BLUE	14(2,5)	.087(2,2)	.185(4,7)	.551(14)	.315(8)	.006(0,15)		
195021017	BLUE	14(2,5)	.087(2,2)	.185(4,7)	.708(18)	.472(12)	.006(0,15)		
195021018	BLUE	14(2,5)	.087(2,2)	.185(4,7)	.945(24)	.709(18)	.006(0,15)		
195021019	GREY	12(4,0)	.110(2,8)	.213(5,4)	.669(17)	.394(10)	.008(0,20)		
195021020	GREY	12(4,0)	.110(2,8)	.213(5,4)	.787(20)	.472(12)	.008(0,20)		
195021021	GREY	12(4,0)	.110(2,8)	.213(5,4)	1.024(26)	.709(18)	.008(0,20)		
195021022	YELLOW	10(6,0)	.137(3,5)	.272(6,9)	.787(20)	.472(12)	.008(0,20)		
195021023	YELLOW	10(6,0)	.137(3,5)	.272(6,9)	1.024(26)	.709(18)	.008(0,20)		

NOTES:
1.MATERIAL: COPPER
PLATING: ELECTRO-TIN
2.INSULATION: NYLON
3.ALL DIMENTIONS=INCHES(MM)



A	PRODUCT RELEASE ETC 1999-0019 HEB 3/12
LTR.	REVISIONS

CUSTOMER DRAWING

DIMENSIONS SHOWN (METRIC) INCH		REVISE ONLY ON CAD SYSTEM																					
UNLESS OTHERWISE SPECIFIED TOLERANCES: ANGULAR ± 1/2°		TITLE INSULATED FERRULES COLOR CODED																					
<table border="1"> <thead> <tr> <th></th> <th>INCH</th> <th>METRIC</th> </tr> </thead> <tbody> <tr> <td>3 PLACE</td> <td>± .005</td> <td>± ---</td> </tr> <tr> <td>2 PLACE</td> <td>± .01</td> <td>± 0.13</td> </tr> <tr> <td>1 PLACE</td> <td>± ---</td> <td>± 0.25</td> </tr> </tbody> </table>			INCH	METRIC	3 PLACE	± .005	± ---	2 PLACE	± .01	± 0.13	1 PLACE	± ---	± 0.25	<table border="1"> <tr> <td colspan="2">molex ETC INC. PINELLAS PARK, FLA. 33781 U.S.A.</td> <td>SHEET NO. 1 OF 1</td> <td>DATE 99/03/12</td> </tr> <tr> <td colspan="2">PART NO. SEE CHART</td> <td colspan="2">DRWG. NO. SD-19502-001</td> </tr> </table>		molex ETC INC. PINELLAS PARK, FLA. 33781 U.S.A.		SHEET NO. 1 OF 1	DATE 99/03/12	PART NO. SEE CHART		DRWG. NO. SD-19502-001	
	INCH	METRIC																					
3 PLACE	± .005	± ---																					
2 PLACE	± .01	± 0.13																					
1 PLACE	± ---	± 0.25																					
molex ETC INC. PINELLAS PARK, FLA. 33781 U.S.A.		SHEET NO. 1 OF 1	DATE 99/03/12																				
PART NO. SEE CHART		DRWG. NO. SD-19502-001																					
DRAFT WHERE APPLICABLE MUST REMAIN WITHIN DIMENSIONS		THIS DRAWING CONTAINS INFORMATION THAT IS PROPRIETARY TO MOLEX-ETC INC. AND SHOULD NOT BE USED WITHOUT WRITTEN PERMISSION.																					
DRWG. BY HEB	CHK'D. BY RWD	FILE NAME 19502001 SD	DIV. SIZE ET B																				
APP'D. BY RWD	SCALE NO:NE																						