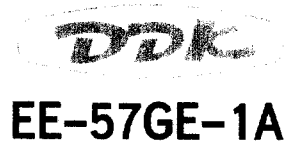
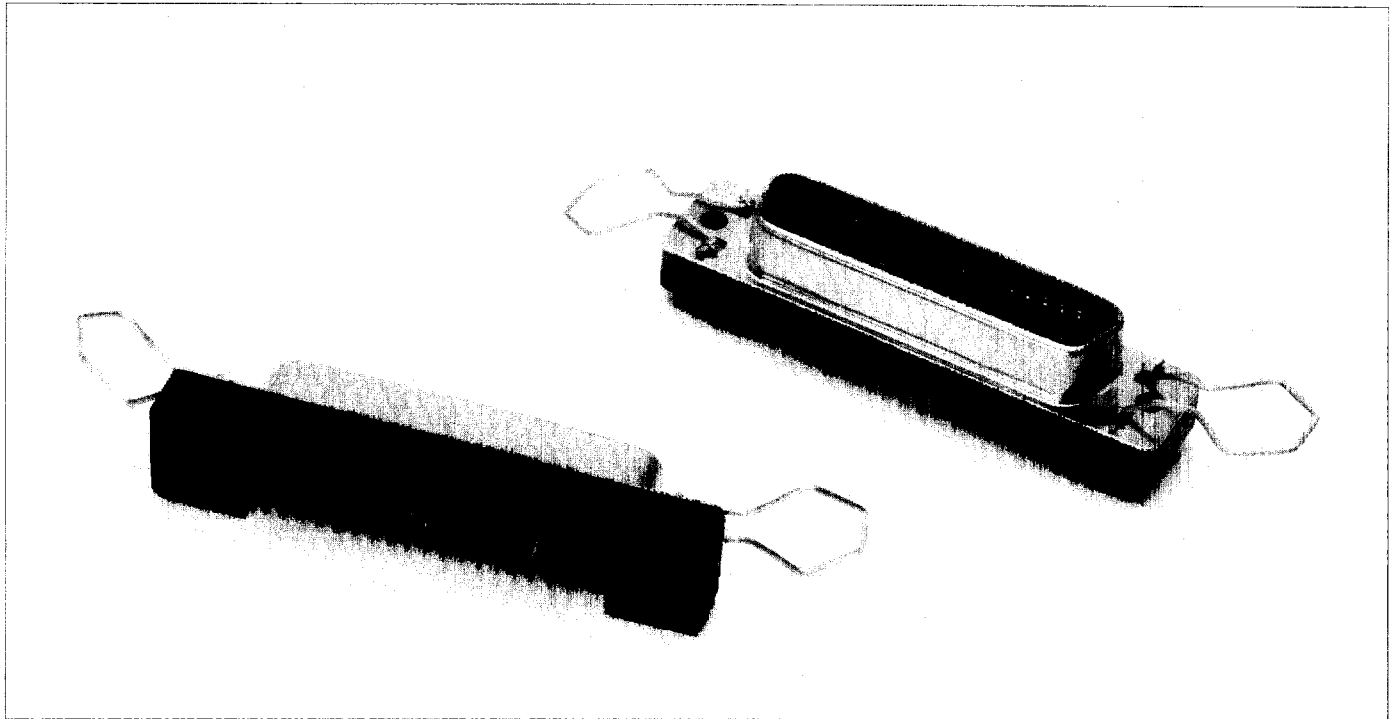


Conforming to IEEE-1284-B

36pin Centronics connector Straight dip type



57GE Series



APPLICATIONS

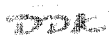
Computers, Printers and electronic equipment etc.

SPECIFICATION

Rated voltage500V AC(r.m.s)
Rated current3A/contact
Dielectric withstanding.....1200V AC(r.m.s) 1 minute
voltage
Insulation resistance1000M Ω min. at 500V DC
Contact resistance35m Ω max.

MATERIAL/FINISH

ContactCopper alloy/Gold over Nickel plate
Insulator.....PBT resin(UL94V-0)/Black
Front shellBrass/Nickel plate
Bail lockStainless steel



SALES OFFICES

• DDK Ltd.(JAPAN)		
MOOKA, JAPAN	:Tel. 0285-84-7861	Fax. 0285-82-9036
SINGAPORE	:Tel. 271-1311	Fax. 273-6532
• DDK ELECTRONICS, INC.(U.S.A.)		
SANTA CLARA, CALIFORNIA	:Tel. 408-980-8344	Fax. 408-980-9750
TORONTO(CANADA)	:Tel. 905-470-1346	Fax. 905-470-1479
• DDK ELECTRONICS(EUPOPE), LTD.(LONDON)	:Tel. 0959-5-61224	Fax. 0959-5-61034
• DDK(THAILAND)LTD.	:Tel. 02-529-1428	Fax. 02-529-1427

57GE Series



Ordering Information

Unit:mm(inch)

57GE-40360-853B(D52)

No.OF CONTACTS:36

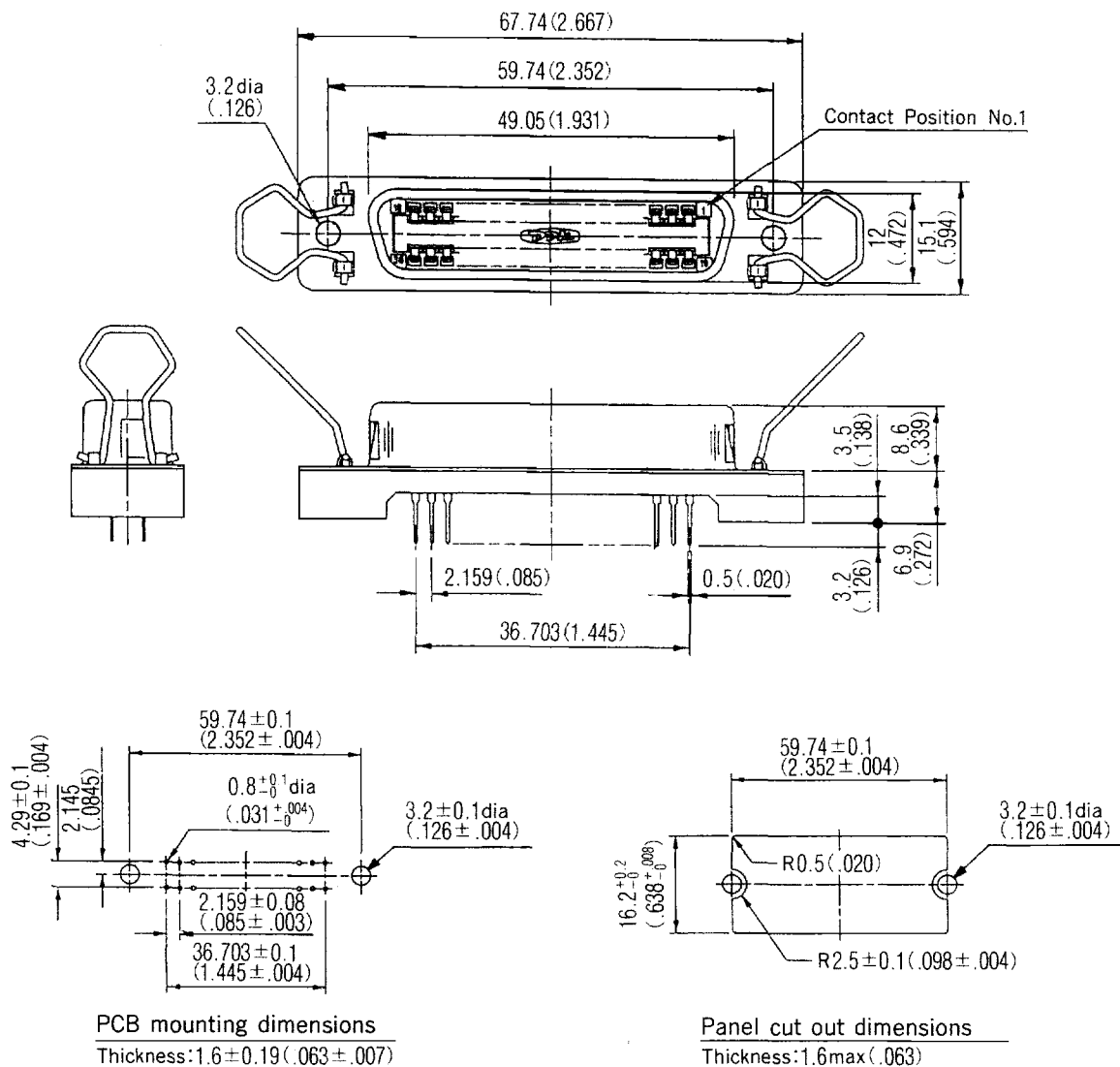
CONTACT PLATING

7:0.38 μ m(15" μ)Gold over Nickel
 8:Gold flash over Nickel (standard)
 Tail...Solder plating

DEVIATION

(D52):Bail locks can stay in any positions

Dimensions



PCB mounting dimensions
 Thickness: 1.6 ± 0.19 (.063 ± .007)

Panel cut out dimensions
 Thickness: 1.6 max (.063)