

To our customers,

Old Company Name in Catalogs and Other Documents

On April 1st, 2010, NEC Electronics Corporation merged with Renesas Technology Corporation, and Renesas Electronics Corporation took over all the business of both companies. Therefore, although the old company name remains in this document, it is a valid Renesas Electronics document. We appreciate your understanding.

Renesas Electronics website: <http://www.renesas.com>

April 1st, 2010
Renesas Electronics Corporation

Issued by: Renesas Electronics Corporation (<http://www.renesas.com>)

Send any inquiries to <http://www.renesas.com/inquiry>.

Notice

1. All information included in this document is current as of the date this document is issued. Such information, however, is subject to change without any prior notice. Before purchasing or using any Renesas Electronics products listed herein, please confirm the latest product information with a Renesas Electronics sales office. Also, please pay regular and careful attention to additional and different information to be disclosed by Renesas Electronics such as that disclosed through our website.
2. Renesas Electronics does not assume any liability for infringement of patents, copyrights, or other intellectual property rights of third parties by or arising from the use of Renesas Electronics products or technical information described in this document. No license, express, implied or otherwise, is granted hereby under any patents, copyrights or other intellectual property rights of Renesas Electronics or others.
3. You should not alter, modify, copy, or otherwise misappropriate any Renesas Electronics product, whether in whole or in part.
4. Descriptions of circuits, software and other related information in this document are provided only to illustrate the operation of semiconductor products and application examples. You are fully responsible for the incorporation of these circuits, software, and information in the design of your equipment. Renesas Electronics assumes no responsibility for any losses incurred by you or third parties arising from the use of these circuits, software, or information.
5. When exporting the products or technology described in this document, you should comply with the applicable export control laws and regulations and follow the procedures required by such laws and regulations. You should not use Renesas Electronics products or the technology described in this document for any purpose relating to military applications or use by the military, including but not limited to the development of weapons of mass destruction. Renesas Electronics products and technology may not be used for or incorporated into any products or systems whose manufacture, use, or sale is prohibited under any applicable domestic or foreign laws or regulations.
6. Renesas Electronics has used reasonable care in preparing the information included in this document, but Renesas Electronics does not warrant that such information is error free. Renesas Electronics assumes no liability whatsoever for any damages incurred by you resulting from errors in or omissions from the information included herein.
7. Renesas Electronics products are classified according to the following three quality grades: “Standard”, “High Quality”, and “Specific”. The recommended applications for each Renesas Electronics product depends on the product’s quality grade, as indicated below. You must check the quality grade of each Renesas Electronics product before using it in a particular application. You may not use any Renesas Electronics product for any application categorized as “Specific” without the prior written consent of Renesas Electronics. Further, you may not use any Renesas Electronics product for any application for which it is not intended without the prior written consent of Renesas Electronics. Renesas Electronics shall not be in any way liable for any damages or losses incurred by you or third parties arising from the use of any Renesas Electronics product for an application categorized as “Specific” or for which the product is not intended where you have failed to obtain the prior written consent of Renesas Electronics. The quality grade of each Renesas Electronics product is “Standard” unless otherwise expressly specified in a Renesas Electronics data sheets or data books, etc.
 - “Standard”: Computers; office equipment; communications equipment; test and measurement equipment; audio and visual equipment; home electronic appliances; machine tools; personal electronic equipment; and industrial robots.
 - “High Quality”: Transportation equipment (automobiles, trains, ships, etc.); traffic control systems; anti-disaster systems; anti-crime systems; safety equipment; and medical equipment not specifically designed for life support.
 - “Specific”: Aircraft; aerospace equipment; submersible repeaters; nuclear reactor control systems; medical equipment or systems for life support (e.g. artificial life support devices or systems), surgical implantations, or healthcare intervention (e.g. excision, etc.), and any other applications or purposes that pose a direct threat to human life.
8. You should use the Renesas Electronics products described in this document within the range specified by Renesas Electronics, especially with respect to the maximum rating, operating supply voltage range, movement power voltage range, heat radiation characteristics, installation and other product characteristics. Renesas Electronics shall have no liability for malfunctions or damages arising out of the use of Renesas Electronics products beyond such specified ranges.
9. Although Renesas Electronics endeavors to improve the quality and reliability of its products, semiconductor products have specific characteristics such as the occurrence of failure at a certain rate and malfunctions under certain use conditions. Further, Renesas Electronics products are not subject to radiation resistance design. Please be sure to implement safety measures to guard them against the possibility of physical injury, and injury or damage caused by fire in the event of the failure of a Renesas Electronics product, such as safety design for hardware and software including but not limited to redundancy, fire control and malfunction prevention, appropriate treatment for aging degradation or any other appropriate measures. Because the evaluation of microcomputer software alone is very difficult, please evaluate the safety of the final products or system manufactured by you.
10. Please contact a Renesas Electronics sales office for details as to environmental matters such as the environmental compatibility of each Renesas Electronics product. Please use Renesas Electronics products in compliance with all applicable laws and regulations that regulate the inclusion or use of controlled substances, including without limitation, the EU RoHS Directive. Renesas Electronics assumes no liability for damages or losses occurring as a result of your noncompliance with applicable laws and regulations.
11. This document may not be reproduced or duplicated, in any form, in whole or in part, without prior written consent of Renesas Electronics.
12. Please contact a Renesas Electronics sales office if you have any questions regarding the information contained in this document or Renesas Electronics products, or if you have any other inquiries.

(Note 1) “Renesas Electronics” as used in this document means Renesas Electronics Corporation and also includes its majority-owned subsidiaries.

(Note 2) “Renesas Electronics product(s)” means any product developed or manufactured by or for Renesas Electronics.

M62501P/FP

PWM IC for the Synchronized Deflection System Control

REJ03D0857-0200

Rev.2.00

Jun 14, 2006

General Description

The M62501P/FP is a controller for a deflection system of CRT display monitors. It performs a stable PWM control over a wide fluctuation of external signals, thanks to the built-in trigger mode oscillator. The IC is suitable for an application to a high voltage drive of monitors because of its following circuits and functions;

- low voltage malfunction protection circuit,
- over or under voltage protection circuit for a control line,
- soft-start function.

It is also applicable to a horizontal output correction.

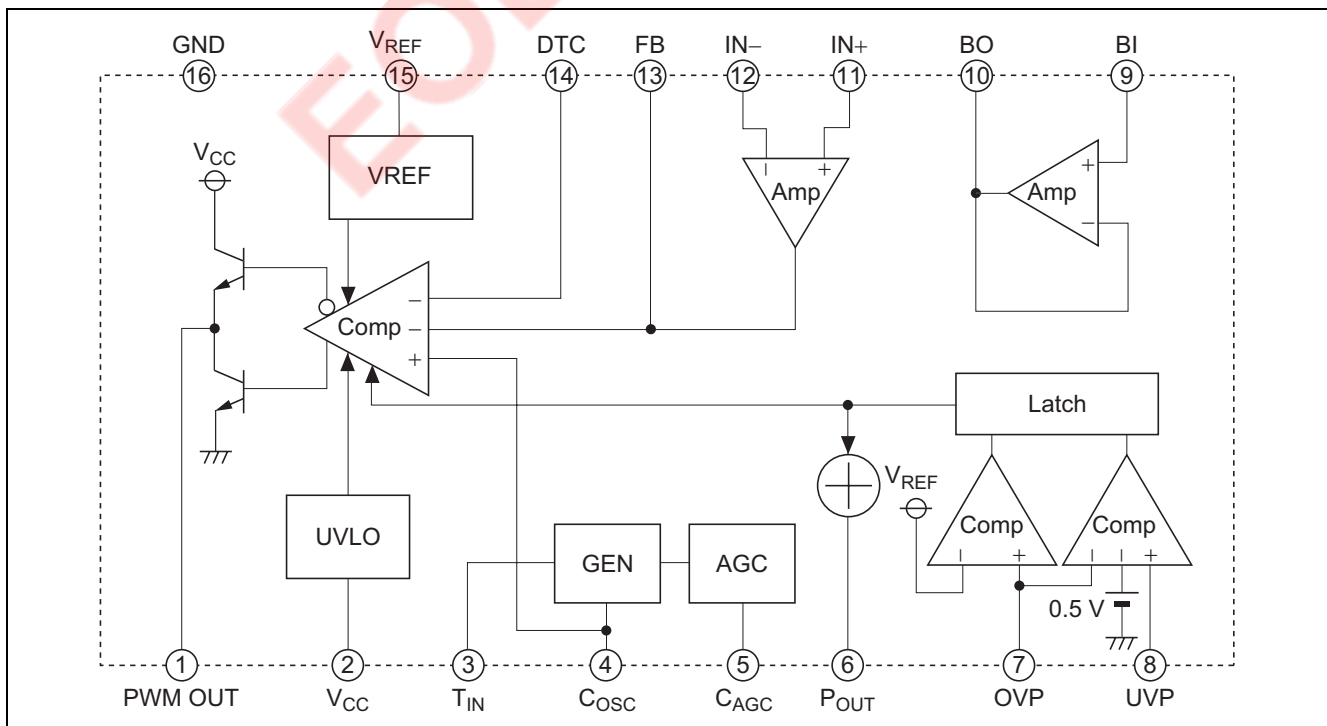
Features

- PWM output synchronized with external signals
- Wide pulse width modulation control frequency
15 kHz to 150 kHz
- Soft start function
- The under voltage output malfunction protection circuit
start $V_{CC} > 9\text{ V}$
stop $V_{CC} < 6\text{ V}$
- Built-in over voltage protection (OVP) and under voltage protection (UVP) control

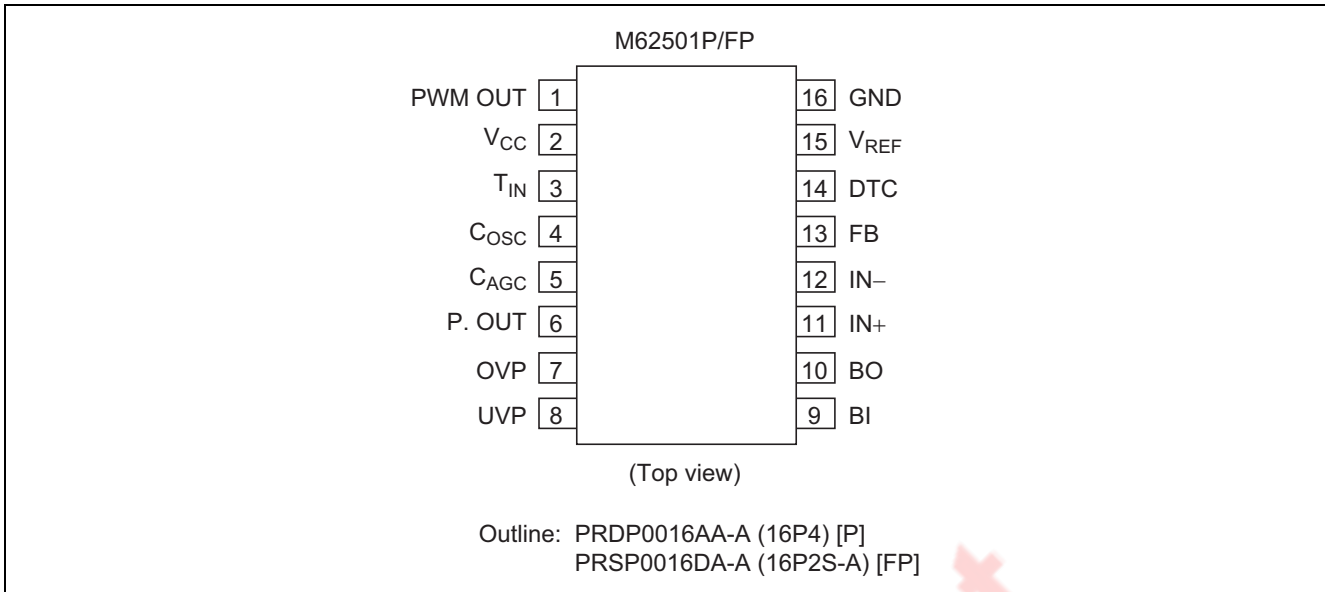
Application

CRT display monitor

Block Diagram



Pin Arrangement



Terminal Number and The Facility

PIN No.	Symbol	Functional Description
1	PWM OUT	PWM output
2	V _{CC}	Power supply
3	T _{IN}	Trigger input
4	C _{OSC}	Setting oscillating frequency
5	C _{AGC}	AGC setting
6	P.OUT	Error signal output
7	OVP	Input of over voltage protection
8	UVP	Input of under voltage protection
9	BI	Positive input of buffer Amp.
10	BO	Output of buffer Amp.
11	IN+	Positive input of Op-Amp.
12	IN-	Negative input of Op-Amp.
13	FB	Output of Op-Amp.
14	DTC	Dead time control (Soft start function)
15	V _{REF}	Output of reference voltage (5 V)
16	GND	Ground

Absolute Maximum Ratings

(T_a = 25°C, unless otherwise noted)

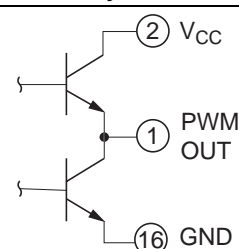
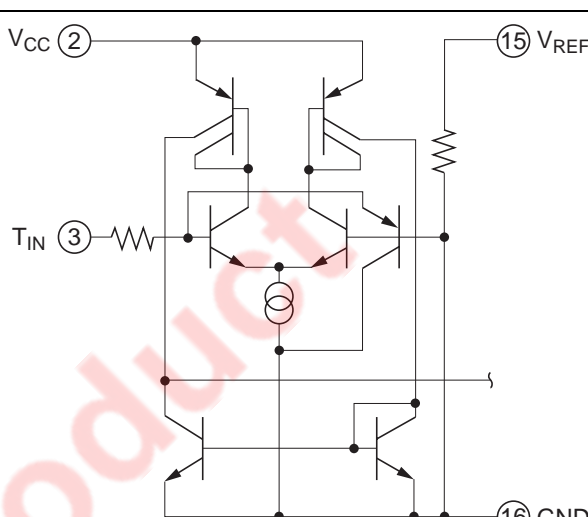
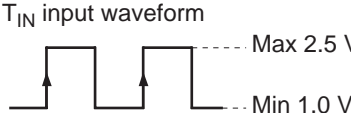
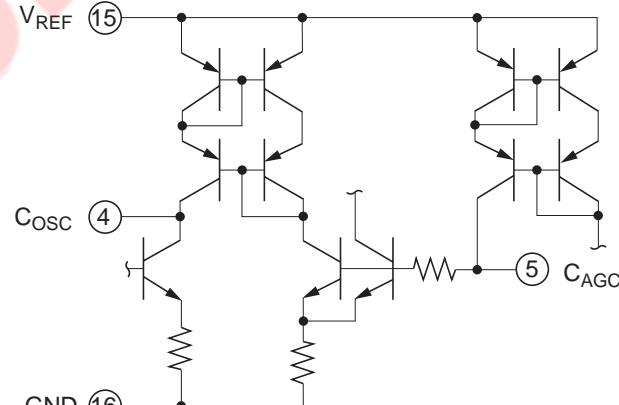
Item	Symbol	Ratings		Unit	Conditions
Supply voltage	V _{CC}	15		V	
Output voltage	V _{OUT}	15		V	
Output current	I _{OUT}	±100		mA	
Error amplifier input common mode voltage	V _{ICM}	-0.3 to V _{CC}		V	
Error amplifier differential input voltage	V _{ID}	V _{CC}		V	
Power dissipation	P _d	P	FP	mW	
		1200	650		
Thermal derating	K _θ	P	FP	mW/°C	T _a ≥ 25°C
		9.6	5.2		
Operating temperature	T _{opr}	-20 to +75		°C	
Storage temperature	T _{stg}	-40 to +150		°C	

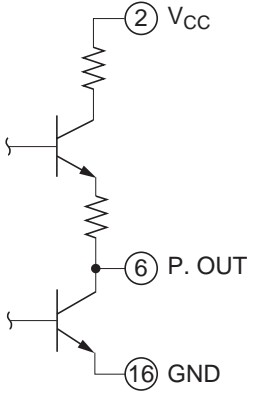
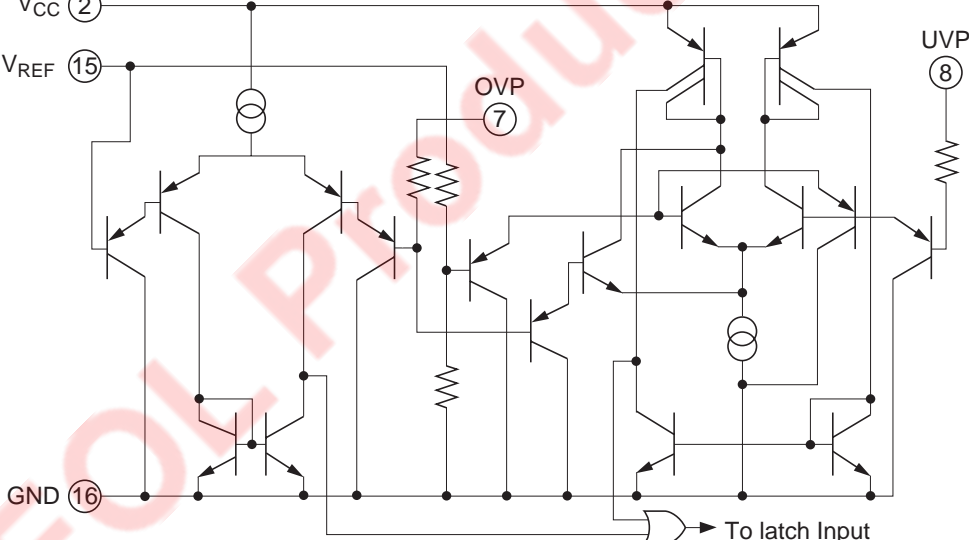
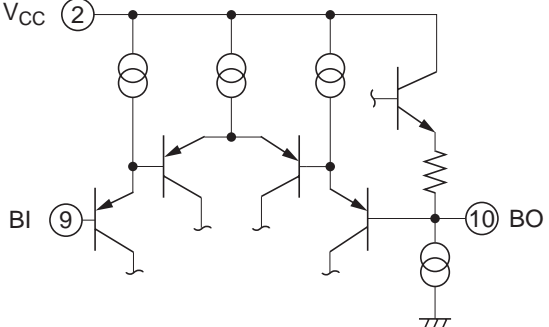
Electrical Characteristics

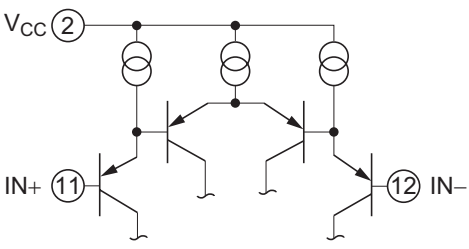
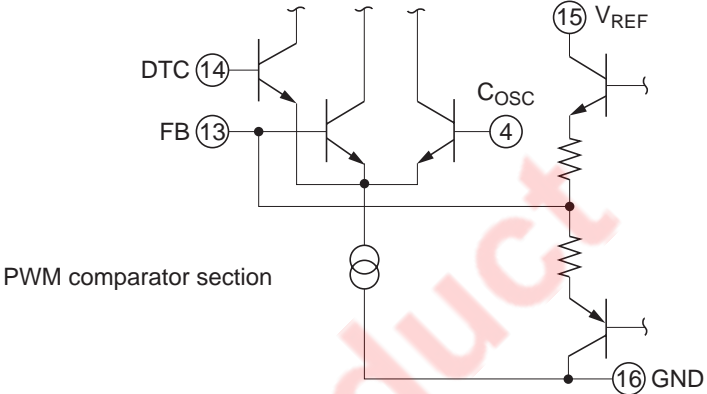
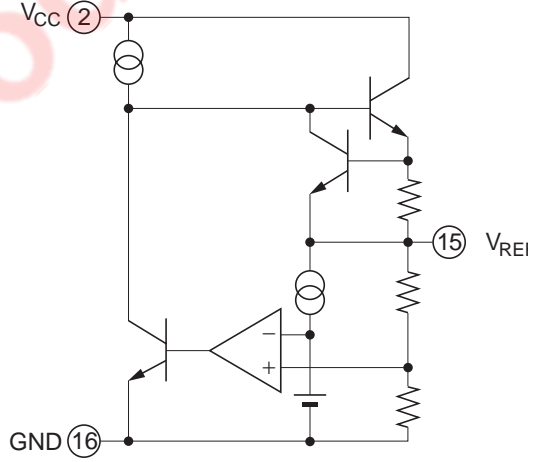
(V_{CC} = 12 V, T_{IN} = 40 kHz, T_a = 25°C, unless otherwise noted)

Block	Item	Symbol	Limits			Unit	Test Conditions
			Min	Typ	Max		
All device	Range of power supply	V _{CC}	V _{CC OFF}		14	V	
	Circuit current	I _{CC}	—	20	—	mA	Output off mode
Reference voltage section	Reference voltage	V _{REF}	4.80	5.00	5.20	V	I _{REF} = -5 mA
	Input regulation	Reg-in	—	1.0	10	mV	V _{CC} = 7 to 14 V I _{REF} = -5 mA
	Load regulation	Reg-L	—	2.0	20	mV	I _{REF} = 0 to -5 mA
	Reference voltage thermal coefficient	TC _{VREF}	—	0.01	—	%/°C	
	Maximum reference current	I _{REF MAX}	—	-30	—	mA	
	Short-circuit current	I _S	—	-30	—	mA	
Error Amp.	Input offset voltage	V _{IO}	—	—	7	mV	
	Input bias current	I _{ib}	-100	—	—	nA	
	Input offset current	I _{IO}	-100	—	100	nA	
	Common mode input voltage range	V _{ICM}	-0.3	—	V _{CC} - 2	V	
	Open loop transmission gain	AV	70	110	—	dB	
	Slew rate	SR	—	4	—	V/μs	
	Output voltage range	V _{OR}	0.3	—	V _{REF} - 1.5	V	
	Output sink current	I _{sink}	10	—	—	mA	
	Output source current	I _{source}	—	—	-10	mA	
Buffer Amp.	Input bias current	I _b	-20	—	—	nA	
	Slew rate	SR	—	4	—	V/μs	
	Output voltage	V _{OR}	0.3	—	V _{CC} - 2.5	V	
	Output sink current	I _{sink}	2	—	—	mA	
	Output source current	I _{source}	—	—	-10	mA	
Oscillator	Oscillation frequency	f _{OSC}	15	—	150	kHz	
	The oscillator waveform bound voltage	V _{OSC H}	—	3.5	—	V	
	The oscillator waveform lower limit voltage	V _{OSC L}	—	1.5	—	V	
	High level of T _{IN}	V _{TIN H}	2.5	—	V _{CC}	V	
	Low level of T _{IN}	V _{TIN L}	—	—	1.0	V	
PWM output section	Output saturation voltage L	V _{sat L}	—	0.7	1.4	V	I _O = 100 mA
	Output saturation voltage H	V _{sat H}	9.5	10.5	—	V	I _O = -100 mA
UVLO section	ON threshold voltage	V _{TH ON}	8.0	9.0	10.0	V	
	OFF threshold voltage	V _{TH OFF}	5.4	6.0	6.6	V	
OVP section	OVP terminal threshold voltage	V _{TH OVP}	4.75	5.00	5.25	V	
	OVP terminal input current	I _{IN OVP}	—	—	1.0	μA	
UVP section	Input offset voltage	V _{UVPO}	—	—	7	mV	
	UVP terminal input current	I _{IN UVP}	—	—	1.0	μA	
P.OUT section	Output saturation voltage	V _{sat}	—	—	0.4	V	I _{PO} = 10 mA
	Output leakage current	I _L	—	—	1.0	μA	V _{PO} = 12 V

Terminal Functional Description and Equivalent Circuit

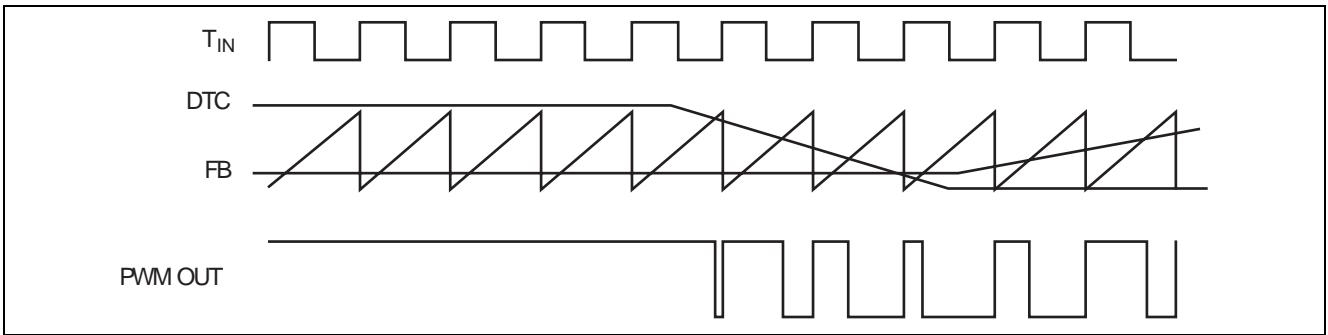
Terminal No.	Symbol	Function and Terminal Circumscription Circuitry
1	PWM OUT	<p>PWM output terminal</p> <ul style="list-style-type: none"> The PWM output synchronized with the T_{IN} input. Output "H" level = 10.5 V typ (The output load current: -100 mA, $V_{CC} = 12$ V) Output "L" level = 0.7 V typ (The output load current: +100 mA, $V_{CC} = 12$ V) 
2	V_{CC}	Power supply terminal
3	T_{IN}	<p>Trigger input terminal</p> <ul style="list-style-type: none"> Frequency range 15 kHz to 150 kHz It takes in a start edge.  <p>T_{IN} input waveform</p> 
4	C_{OSC}	<p>Cosc terminal</p> <ul style="list-style-type: none"> It generates a saw wave by connecting capacitor between 4-pin and GND. Recommended capacitor value is 1000 pF.
5	C_{AGC}	<p>C_{AGC} terminal</p> <ul style="list-style-type: none"> It sets up sensitivity of AGC by connecting capacitor between 5-pin and GND. Recommended capacitor value is 1 μF. 

Terminal No.	Symbol	Function and Terminal Circumscription Circuitry
6	P.OUT	<p>The abnormal state detection output terminal</p> <ul style="list-style-type: none"> The output becomes "H" from "L" when an abnormality is detected in the OVP or UVP terminal. Then the PWM output terminal becomes "H" settlement, too. Do OFF of power supply (V_{CC}) to remove latch of abnormal state. In abnormal state detection; <ul style="list-style-type: none"> Output "H" level = 10.5 V typ (The output load current: no-load, $V_{CC} = 12\text{ V}$) Output "L" level = 1.5 V typ (The output load current: -1 mA, $V_{CC} = 12\text{ V}$) In normal state ; <ul style="list-style-type: none"> Output "L" level = 0.4 V typ (The output load current: $+10\text{ mA}$, $V_{CC} = 12\text{ V}$) 
7 8	OVP UVP	<p>Over voltage protection of the control line (OVP)</p> <ul style="list-style-type: none"> Setting terminal voltage; $GND \leq V_{OVP} < V_{REF}$ <p>Under voltage protection of the control line (UVP)</p> <ul style="list-style-type: none"> Setting terminal voltage; $GND \leq V_{UVP} < V_{OVP}$  <p>Note: It is connected to GND when the abnormal detection terminal is not used.</p>
9 10	BI BO	<p>The input terminal of a buffer Amp. (BI)</p> <p>The output terminal of a buffer Amp. (BO)</p> 

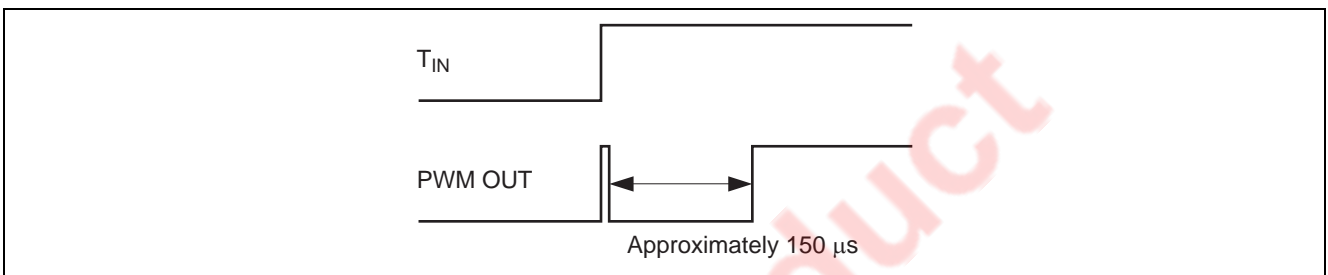
Terminal No.	Symbol	Function and Terminal Circumscription Circuitry
11 12	IN+ IN-	<p>Positive input terminal of an Op-Amp. (IN+) Negative input terminal of an Op-Amp. (IN-)</p> 
13 14	FB DTC	<p>Output terminal of an Op-Amp. (FB) Dead time control terminal (DTC)</p> <ul style="list-style-type: none"> It can do soft start during power-on under keeping time constant. 
15	V _{REF}	<p>Reference voltage terminal</p> <ul style="list-style-type: none"> 5 V output voltage (The terminal can begin to take outside connected load 5 mA.) 
16	GND	Ground terminal

Timing Chart

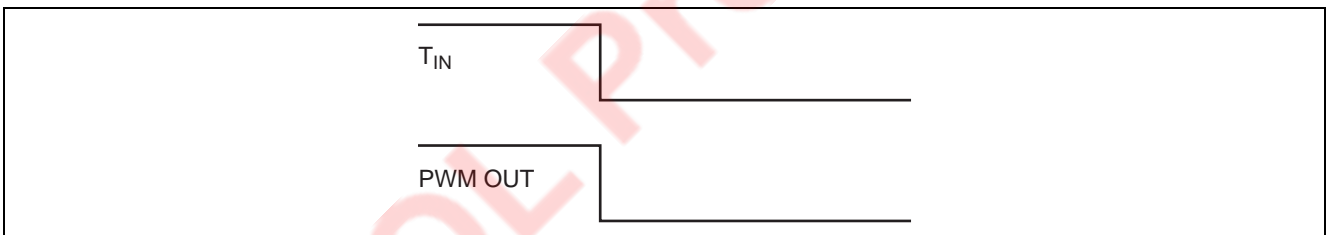
PWM OUT ON Duty is fixed in the voltage of higher one between DTC terminal and FB terminal voltage.



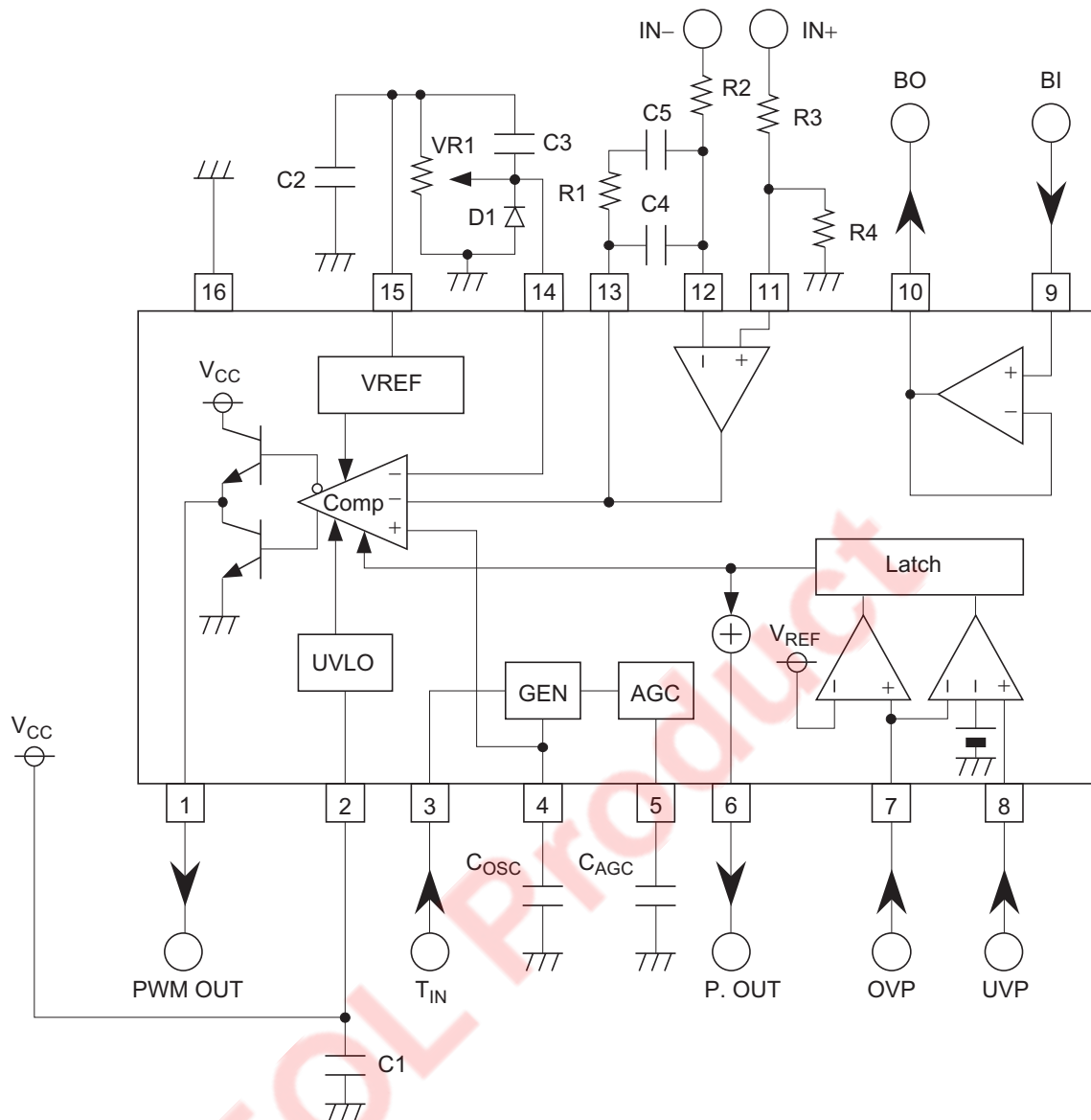
- Waveform at "H" was taken from "L", and having put T_{IN} up.
(PWM output is fixed in "H", too when fix T_{IN} terminal in "H")



- Waveform at "L" was taken from "H", and having put T_{IN} up.
(PWM output is fixed in "L", too when fix T_{IN} terminal in "L")



M62501 Application



C1, C2: Stabilization capacitors of V_{CC} and V_{REF} .

VR1: It is decided considering a load capacity of V_{REF} .
(A load capacity is approximately 5 mA.)
Recommended value is around 10 k Ω .

C3, D1: They are for the soft start function. A time constant is decided considering VR1.

C_{AGC} : This capacitor is for stabilization of AGC. A larger capacitor improves a stability of the system, however a system response is degraded.
Recommended value is around 1 μ F.

C_{OSC} : This capacitor is for a saw wave generation. Recommended value is around 1000 pF.

R1, R2, R3, R4, C4, C5:

They are for a gain setting of the error Amp. R2 should be several k Ω to dozens of k Ω to set a voltage gain 20 dB to 40 dB at $f = 1$ kHz, so that the feed back loop is stable.

When the voltage gain is too low, it causes jitter.

Recommended values of C4, C5 and R1 are ;

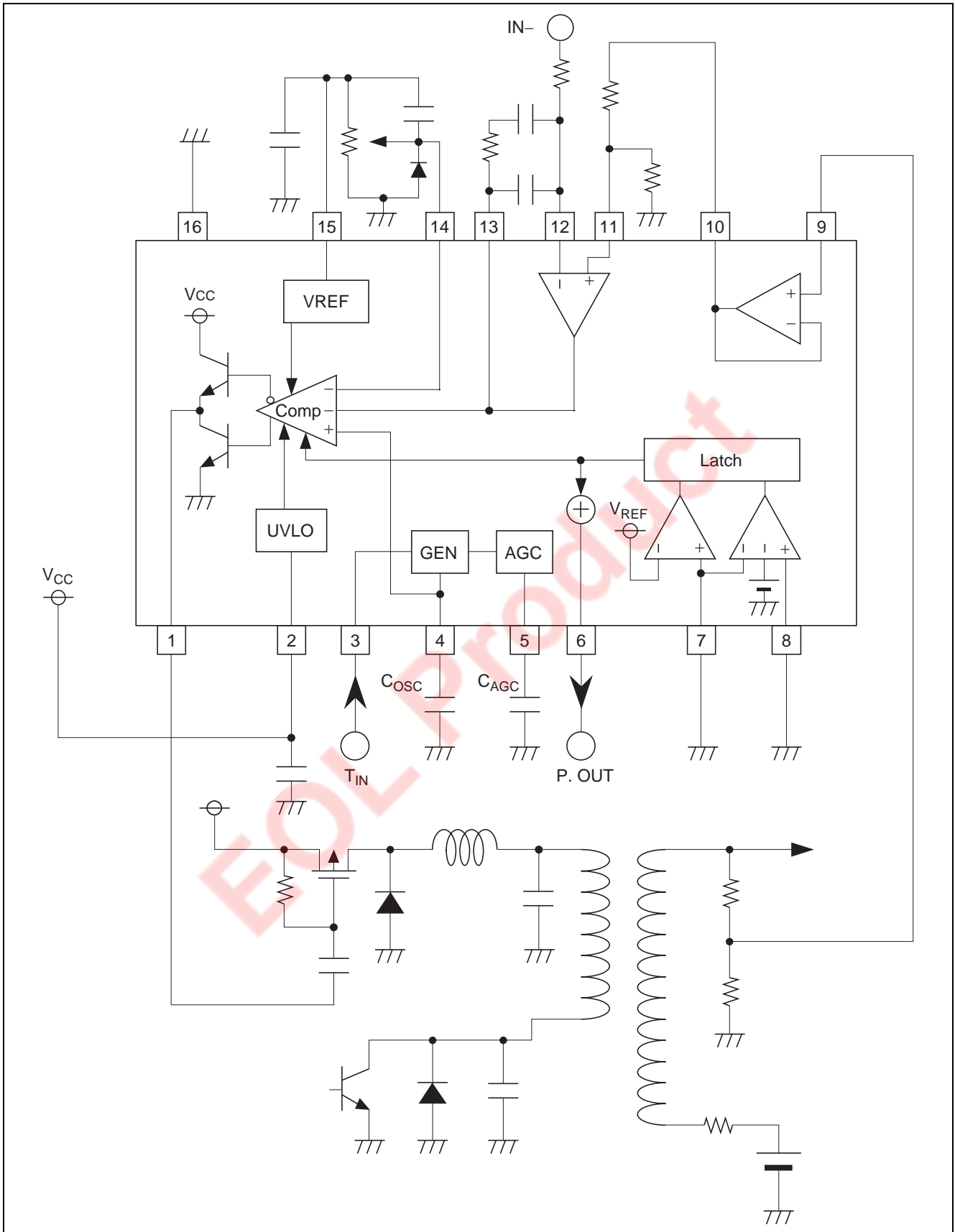
C4 = dozens of pF to several hundreds pF

C5 = several thousands pF to tens of thousands pF

R1 = dozens of k Ω to several hundreds k Ω .

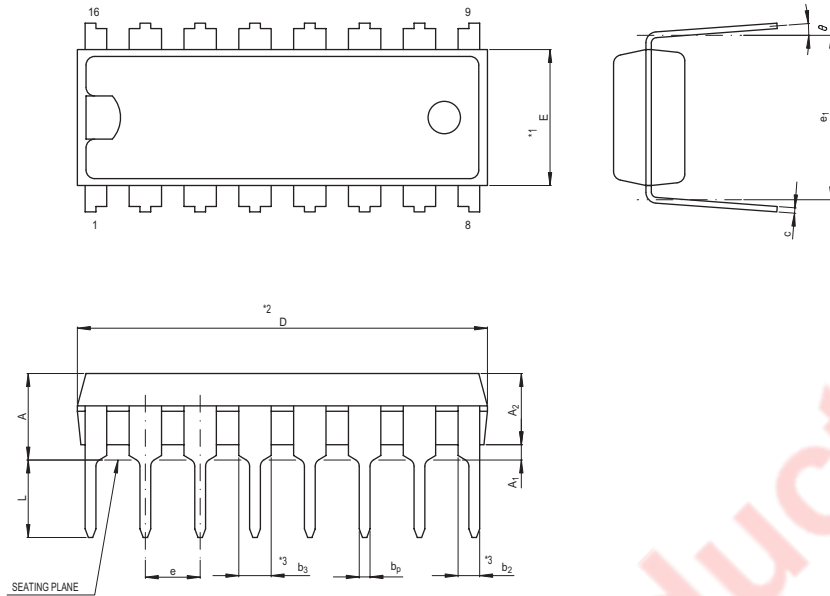
Note: Connect 7-pin and 8-pin terminal to GND when don't use under voltage protection. (UVP)

Example of Application Circuit



Package Dimensions

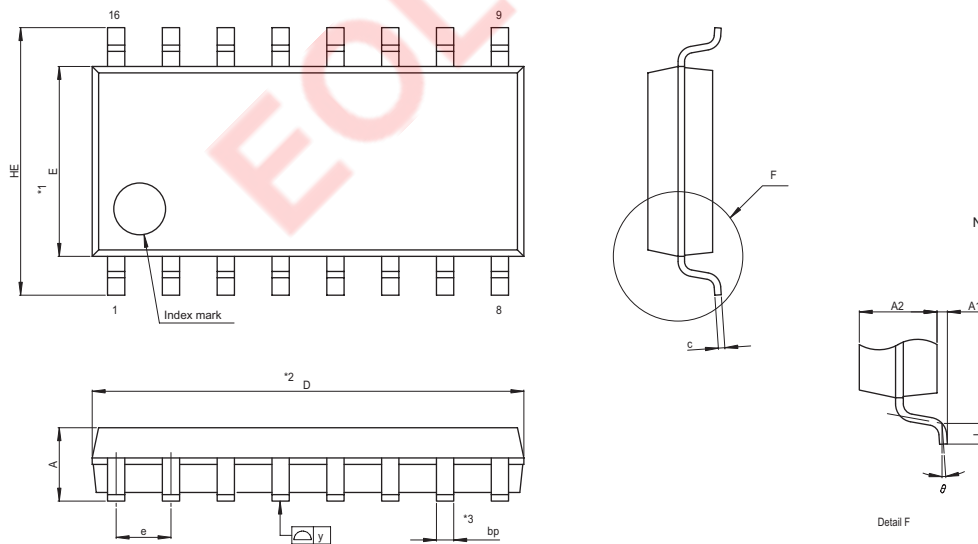
JEITA Package Code	RENESAS Code	Previous Code	MASS[Typ.]
P-DIP16-6.3x19-2.54	PRDP0016AA-A	16P4	1.0g



NOTE)
 1. DIMENSIONS **1" AND **2"
 DO NOT INCLUDE MOLD FLASH.
 2. DIMENSION **3" DOES NOT
 INCLUDE TRIM OFFSET.

Reference Symbol	Dimension in Millimeters		
	Min	Nom	Max
e ₁	7.32	7.62	7.92
D	18.8	19.0	19.2
E	6.15	6.3	6.45
A	—	—	4.5
A ₁	0.51	—	—
A ₂	—	3.3	—
b _p	0.4	0.5	0.6
b ₂	0.9	1.0	1.3
b ₃	1.4	1.5	1.8
c	0.22	0.27	0.34
θ	0°	—	15°
e	2.29	2.54	2.79
L	3.0	—	—

JEITA Package Code	RENESAS Code	Previous Code	MASS[Typ.]
P-SOP16-4.4x10-1.27	PRSP0016DA-A	16P2S-A	0.15g



NOTE)
 1. DIMENSIONS **1" AND **2"
 DO NOT INCLUDE MOLD FLASH.
 2. DIMENSION **3" DOES NOT
 INCLUDE TRIM OFFSET.

Reference Symbol	Dimension in Millimeters		
	Min	Nom	Max
D	9.8	10.0	10.2
E	4.2	4.4	4.6
A ₂	—	1.5	—
A ₁	0.05	—	—
A	—	—	1.9
b _p	0.35	0.4	0.5
c	0.13	0.15	0.2
θ	0°	—	10°
H _E	5.9	6.2	6.5
e	1.07	1.27	1.47
y	—	—	0.1
L	0.2	0.4	0.6

Keep safety first in your circuit designs!

1. Renesas Technology Corp. puts the maximum effort into making semiconductor products better and more reliable, but there is always the possibility that trouble may occur with them. Trouble with semiconductors may lead to personal injury, fire or property damage.
Remember to give due consideration to safety when making your circuit designs, with appropriate measures such as (i) placement of substitutive, auxiliary circuits, (ii) use of nonflammable material or (iii) prevention against any malfunction or mishap.

Notes regarding these materials

1. These materials are intended as a reference to assist our customers in the selection of the Renesas Technology Corp. product best suited to the customer's application; they do not convey any license under any intellectual property rights, or any other rights, belonging to Renesas Technology Corp. or a third party.
 2. Renesas Technology Corp. assumes no responsibility for any damage, or infringement of any third-party's rights, originating in the use of any product data, diagrams, charts, programs, algorithms, or circuit application examples contained in these materials.
 3. All information contained in these materials, including product data, diagrams, charts, programs and algorithms represents information on products at the time of publication of these materials, and are subject to change by Renesas Technology Corp. without notice due to product improvements or other reasons. It is therefore recommended that customers contact Renesas Technology Corp. or an authorized Renesas Technology Corp. product distributor for the latest product information before purchasing a product listed herein.
The information described here may contain technical inaccuracies or typographical errors.
Renesas Technology Corp. assumes no responsibility for any damage, liability, or other loss rising from these inaccuracies or errors.
Please also pay attention to information published by Renesas Technology Corp. by various means, including the Renesas Technology Corp. Semiconductor home page (<http://www.renesas.com>).
 4. When using any or all of the information contained in these materials, including product data, diagrams, charts, programs, and algorithms, please be sure to evaluate all information as a total system before making a final decision on the applicability of the information and products. Renesas Technology Corp. assumes no responsibility for any damage, liability or other loss resulting from the information contained herein.
 5. Renesas Technology Corp. semiconductors are not designed or manufactured for use in a device or system that is used under circumstances in which human life is potentially at stake. Please contact Renesas Technology Corp. or an authorized Renesas Technology Corp. product distributor when considering the use of a product contained herein for any specific purposes, such as apparatus or systems for transportation, vehicular, medical, aerospace, nuclear, or undersea repeater use.
 6. The prior written approval of Renesas Technology Corp. is necessary to reprint or reproduce in whole or in part these materials.
 7. If these products or technologies are subject to the Japanese export control restrictions, they must be exported under a license from the Japanese government and cannot be imported into a country other than the approved destination.
Any diversion or reexport contrary to the export control laws and regulations of Japan and/or the country of destination is prohibited.
 8. Please contact Renesas Technology Corp. for further details on these materials or the products contained therein.
-



RENESAS SALES OFFICES

<http://www.renesas.com>

Refer to "<http://www.renesas.com/en/network>" for the latest and detailed information.

Renesas Technology America, Inc.

450 Holger Way, San Jose, CA 95134-1368, U.S.A
Tel: <1> (408) 382-7500, Fax: <1> (408) 382-7501

Renesas Technology Europe Limited

Dukes Meadow, Millboard Road, Bourne End, Buckinghamshire, SL8 5FH, U.K.
Tel: <44> (1628) 585-100, Fax: <44> (1628) 585-900

Renesas Technology (Shanghai) Co., Ltd.

Unit 204, 205, AZIAcenter, No.1233 Lujiazui Ring Rd, Pudong District, Shanghai, China 200120
Tel: <86> (21) 5877-1818, Fax: <86> (21) 6887-7898

Renesas Technology Hong Kong Ltd.

7th Floor, North Tower, World Finance Centre, Harbour City, 1 Canton Road, Tsimshatsui, Kowloon, Hong Kong
Tel: <852> 2265-6688, Fax: <852> 2730-6071

Renesas Technology Taiwan Co., Ltd.

10th Floor, No.99, Fushing North Road, Taipei, Taiwan
Tel: <886> (2) 2715-2888, Fax: <886> (2) 2713-2999

Renesas Technology Singapore Pte. Ltd.

1 Harbour Front Avenue, #06-10, Keppel Bay Tower, Singapore 098632
Tel: <65> 6213-0200, Fax: <65> 6278-8001

Renesas Technology Korea Co., Ltd.

Kukje Center Bldg. 18th Fl., 191, 2-ka, Hangang-ro, Yongsan-ku, Seoul 140-702, Korea
Tel: <82> (2) 796-3115, Fax: <82> (2) 796-2145

Renesas Technology Malaysia Sdn. Bhd

Unit 906, Block B, Menara Amcorp, Amcorp Trade Centre, No.18, Jalan Persiaran Barat, 46050 Petaling Jaya, Selangor Darul Ehsan, Malaysia
Tel: <603> 7955-9390, Fax: <603> 7955-9510