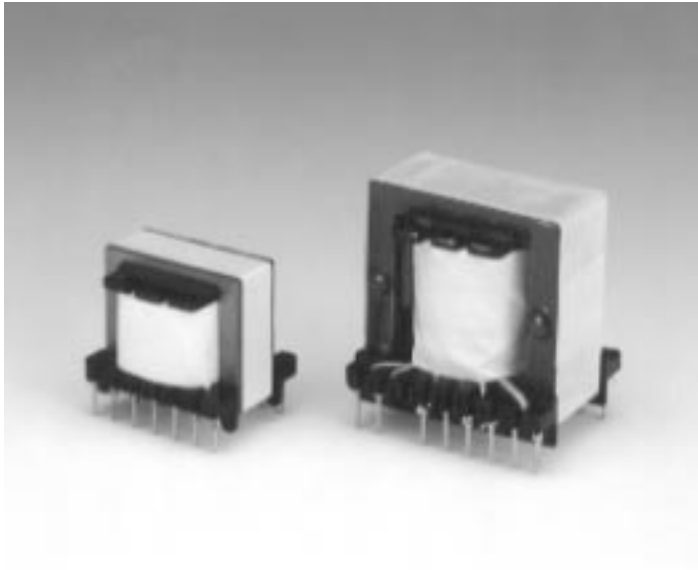


• Transformer •

Switching Transformer
EE, EI type



◆ Performance

Size	Item	Output (W) F=100KMZ	PINS
DBES19S4		30	4×4
DBES22S4		40	4×4
DBEL22S5		60	5×5
DBES28S5		80	5×5
DBEL28S5		110	5×5
DBES33S7		130	7×7
DBES33S7A		130	7×7
DBES40S8		160	8×8
DBES44S8		200	8×8
DBES50S7		230	7×7

◆ Features

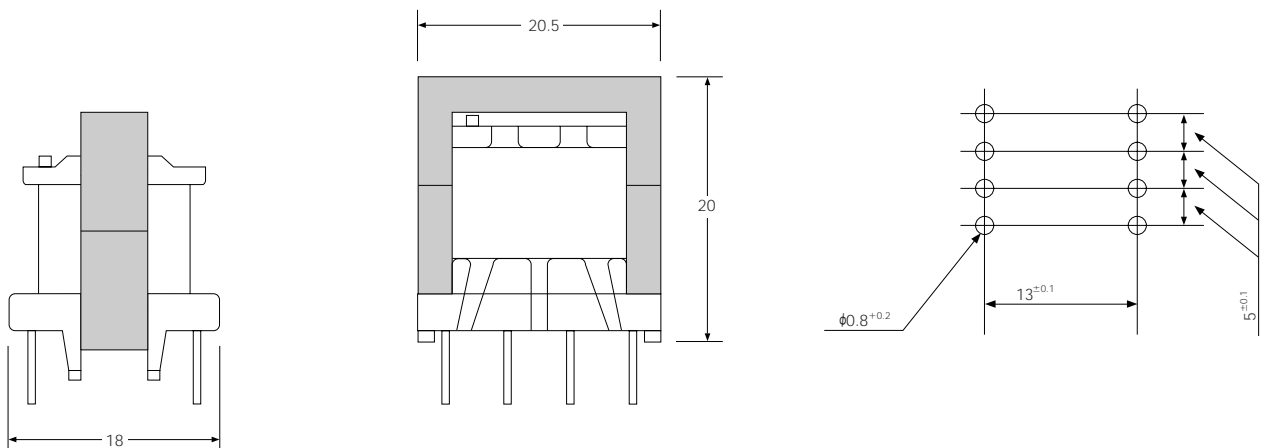
- Low cost
- High flux density

◆ Applications

- TV, OA, SMPS

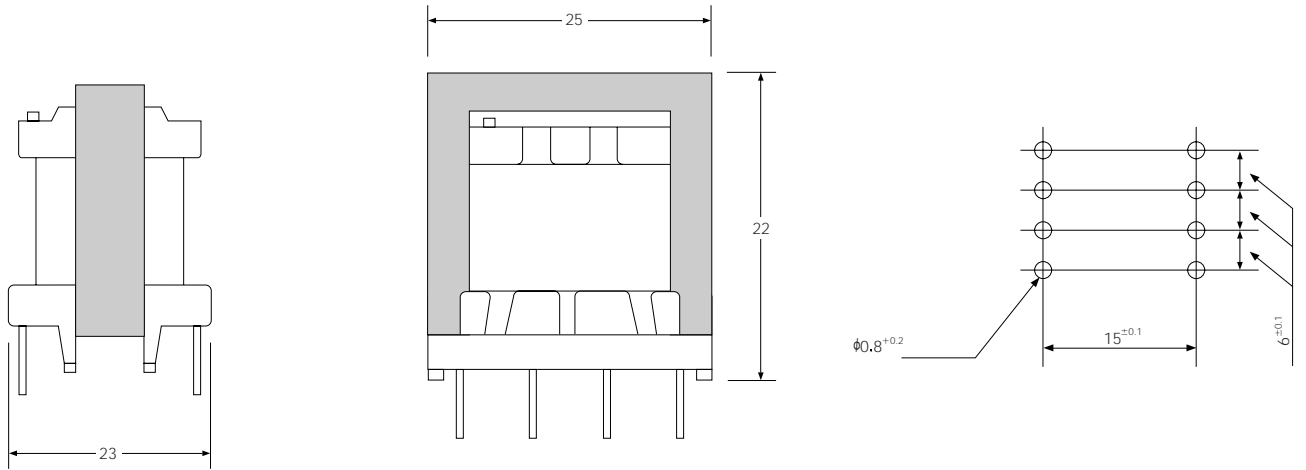
◆ Dimensions In mm (not to scale)

DBES19S4

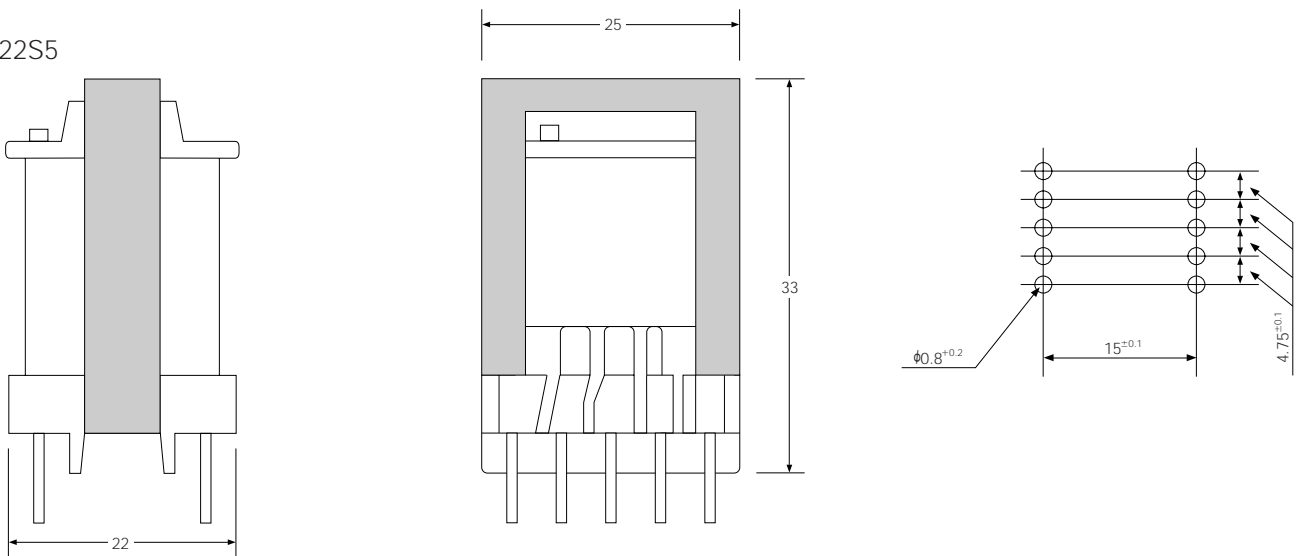


◆ Dimensions In mm (not to scale)

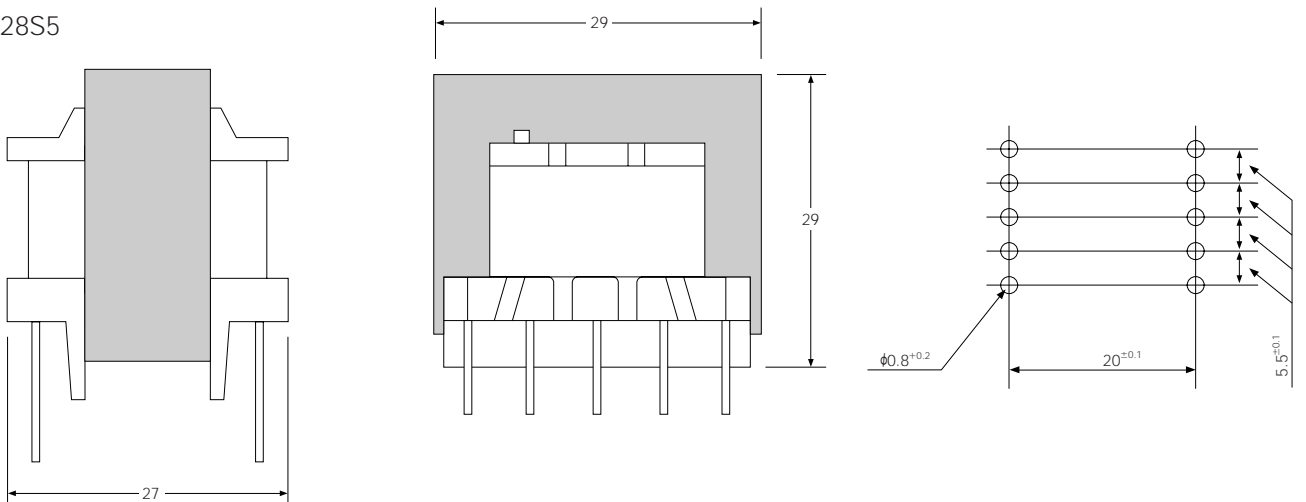
DBES22S4



DBEL22S5



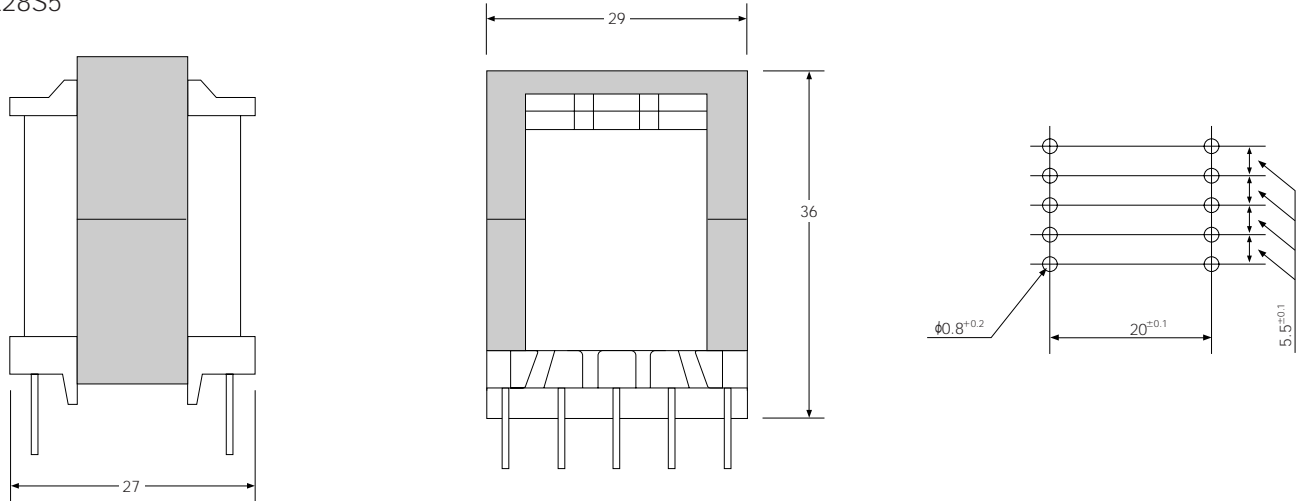
DBES28S5



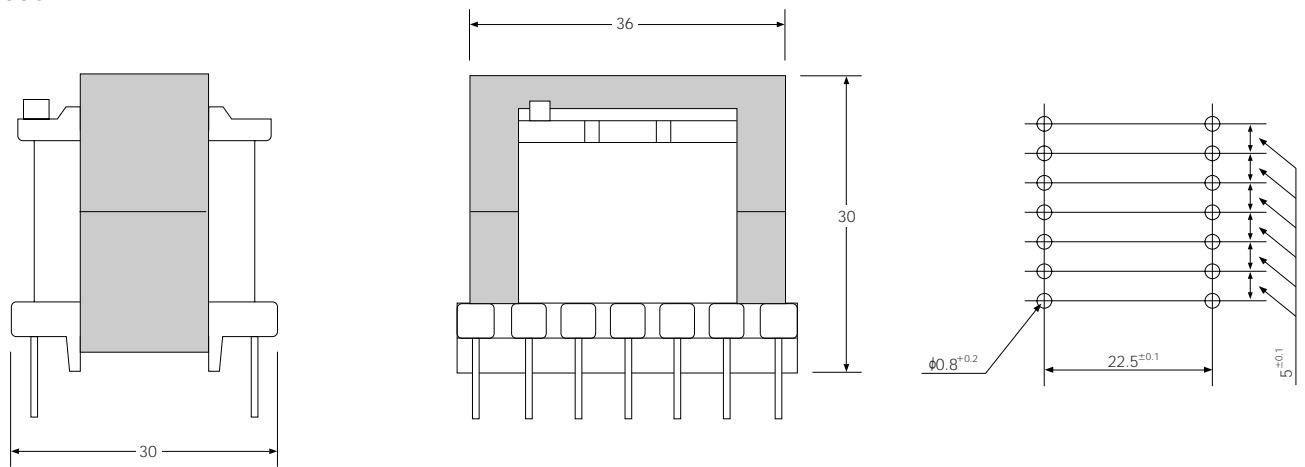
Switching Transformer EE, EI type

◆ Dimensions In mm (not to scale)

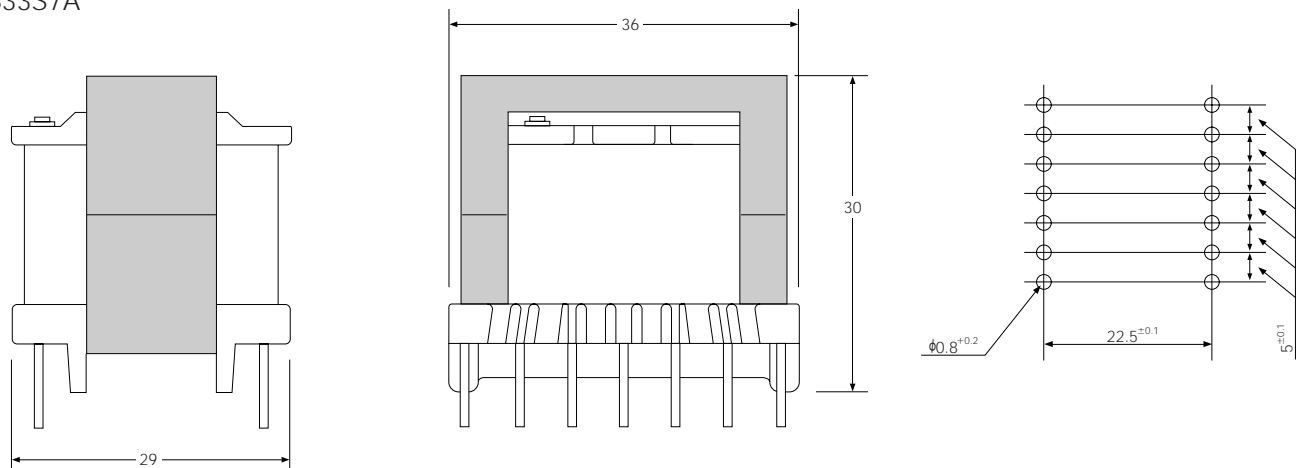
DBEL28S5



DBES33S7

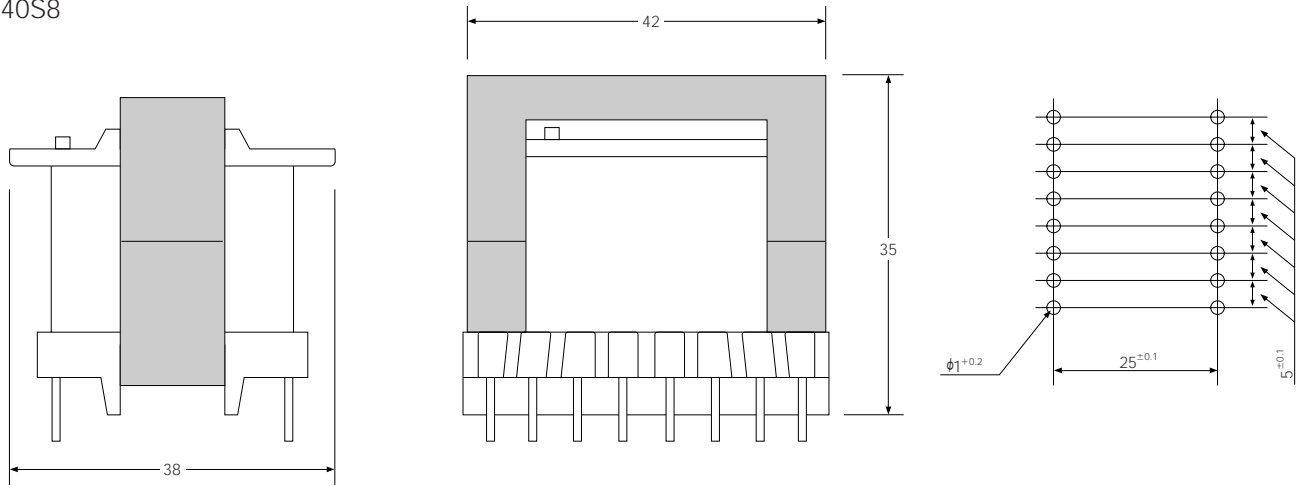


DBES33S7A

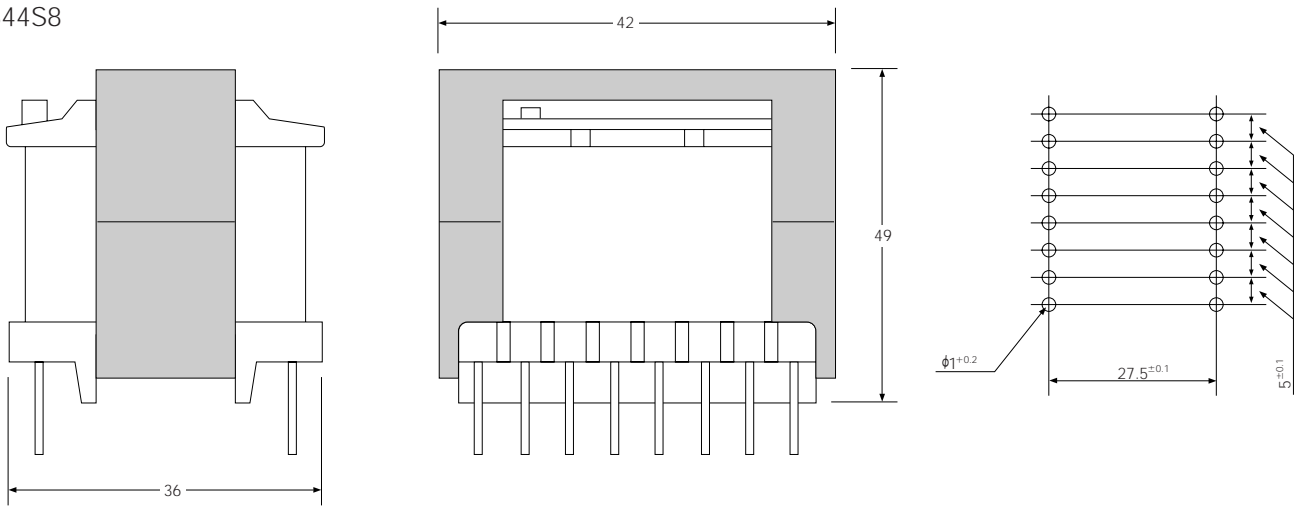


◆ Dimensions In mm (not to scale)

DBES40S8



DBES44S8



DBES50S7

