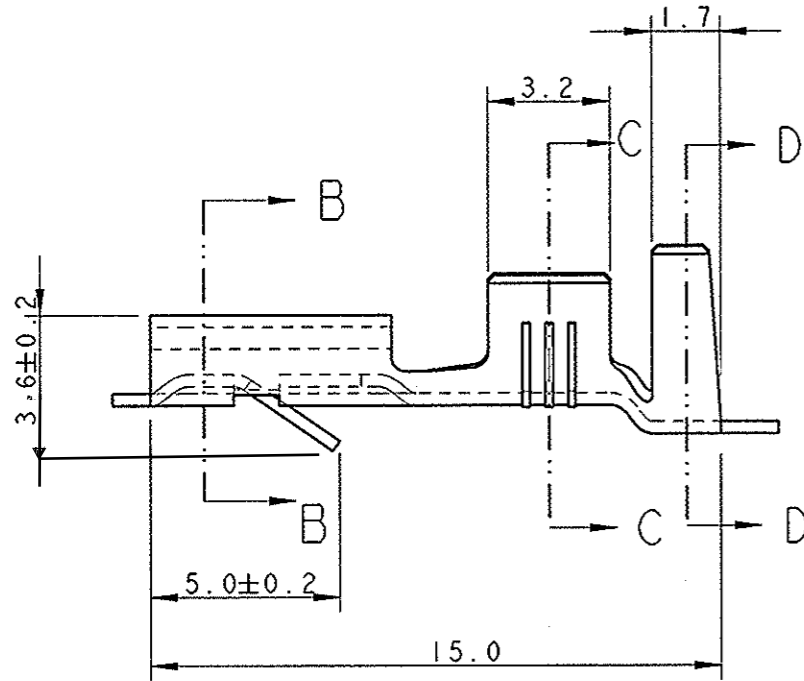
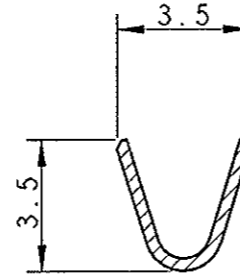


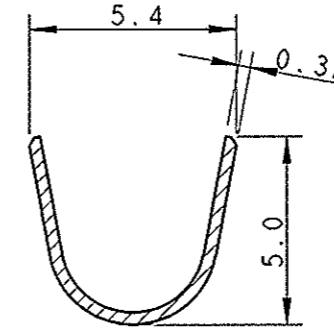
LOC	DIST	REVISIONS					
		P	LTR	DESCRIPTION	DATE	DWN	APVD
1	-		L	REDRAWN CHANGED BASE MTL. ET00-0108-04	17MAY2004	AV	GT
			L1	ECR-17-013482	27DEC17		
			L3	ECR-19-000827	15JAN19	GG	TD



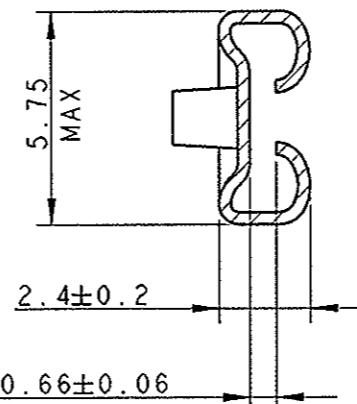
SECTION C-C



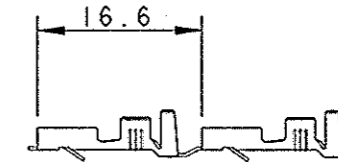
SECTION D-D



SECTION B-B



1) CONDIZIONI DI FORNITURA (SUPPLYING CONDITION)



SENSO DI USCITA DELLA BOBINA (DIRECTION OFF TOP OF REEL)

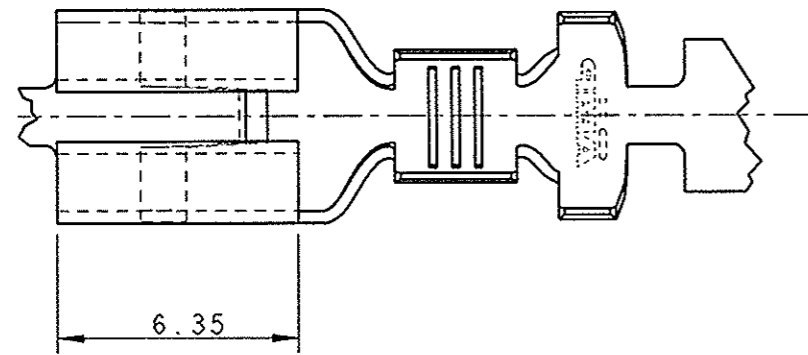
2) BOBINATO SU BOBINA DA 12" CON CARTA INTERPOSTA TRA LE SPIRE (REELED ON 12" CARTON REEL WITH INTERLEAVE PAPER STRIP)

DIAMETRO ISOLANTE 3.0 - 4.3 mm (INS. DIA. RANGE 3.0-4.3mm)

RANGO FILO 1.0-2.5 mm² (WIRE RANGE 1.0-2.5 mm²)

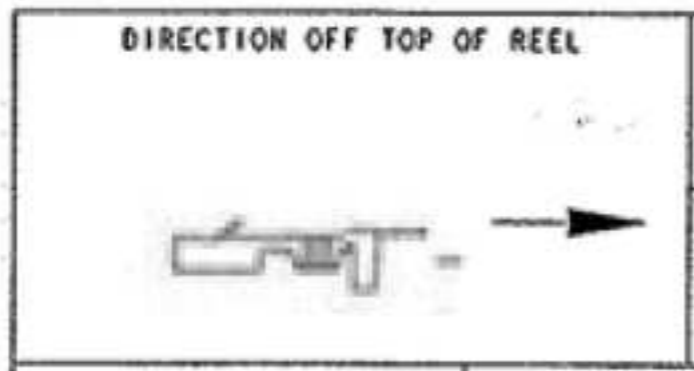
PART NUMBER 281197-2 AS SHOWN

3) PN 281197-6 is same as 281197-2, carton reel and interleave paper is customer specific.



ADATTO PER UNA LINGUETTA DI 0.8 mm DI SPESSORE (SUITABLE FOR 0.8 mm THK TAB)

REELING DIRECTION FOR PN 281197-5



THIS DRAWING IS A CONTROLLED DOCUMENT FOR TYCO ELECTRONICS CORPORATION IT IS SUBJECT TO CHANGE AND THE CONTROLLING ENGINEERING ORGANIZATION SHOULD BE CONTACTED FOR THE LATEST REVISION.

DIMENSIONS:	TOLERANCES UNLESS OTHERWISE SPECIFIED:
mm	
0 PLC	±0.3
1 PLC	±
2 PLC	±
3 PLC	±
4 PLC	±
ANGLES	±2°
MATERIAL	FINISH
BRONZO FOSFOROSO (PH. BRONZE)	PRE-STAGNATO (Pre-tin plated)

DWN	17MAY2004
CHK	A. Vecchia
	G. Tartari
APVD	17MAY2004
	G. Turco
PRODUCT SPEC	20020
APPLICATION SPEC	20011
WEIGHT	-
CUSTOMER DRAWING	

		TE Connectivity	
		NAME FASTIN-FASTON Connector 4.8 mm sr. REC. CONTACT	
SIZE	CAGE CODE	DRAWING NO	RESTRICTED TO
A3	00779	C-281197	
SCALE 5:1		SHEET 1 OF 1	REV L3

Mouser Electronics

Authorized Distributor

Click to View Pricing, Inventory, Delivery & Lifecycle Information:

[TE Connectivity:](#)

[281197-2](#)