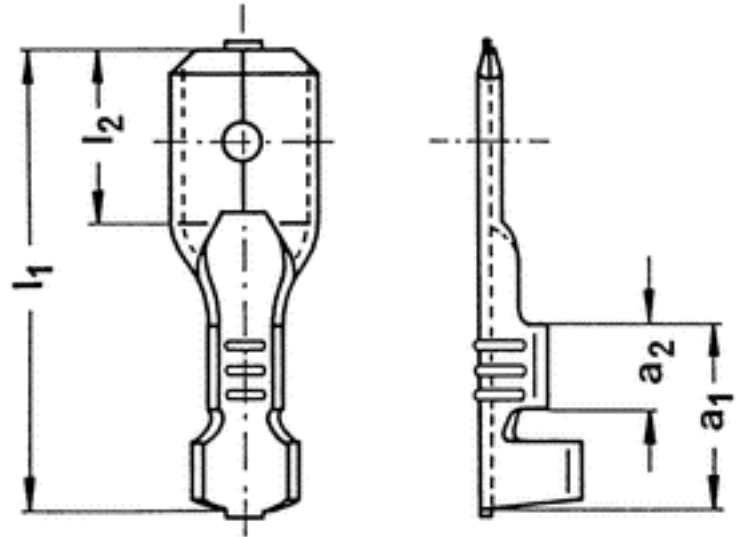




Characteristics and dimensions of terminals

Part number	25135.123.009
Specification	Tab
Material	CuZn
Form	Chain form
Transport	Standard traverse transport
Single part	X
Packing unit / piece	4000
Section area (mm ²)	0.50-1.00
Tab thickness (mm)	0.80
Tab width (mm)	6.30
DIN	46248 Teil 3 Form A
Nominal size	6.3-1
Material thickness (mm)	0.38
a ₁	8.50
a ₂	4.60
l ₁	20.00
l ₂	8.80



Note: The drawing only gives an overview of the geometry of the part. The crimp area is shown as supplied in strip form. A technical drawing is available on request.

[Contents of your inquiry](#)

Packing Units (per 4000 pieces)

CW