

## LM2907EP/LM2917EP

# Enhanced Plastic Frequency to Voltage Converter

### General Description

The LM2907EP, LM2917EP series are monolithic frequency to voltage converters with a high gain op amp/comparator designed to operate a relay, lamp, or other load when the input frequency reaches or exceeds a selected rate. The tachometer uses a charge pump technique and offers frequency doubling for low ripple, full input protection in two versions (LM2907-8EP, LM2917-8EP) and its output swings to ground for a zero frequency input.

The op amp/comparator is fully compatible with the tachometer and has a floating transistor as its output. This feature allows either a ground or supply referred load of up to 50 mA. The collector may be taken above  $V_{CC}$  up to a maximum  $V_{CE}$  of 28V.

The two basic configurations offered include an 8-pin device with a *ground referenced tachometer* input and an internal connection between the tachometer output and the op amp non-inverting input. This version is well suited for single speed or frequency switching or fully buffered frequency to voltage conversion applications.

The more versatile configurations provide differential tachometer input and uncommitted op amp inputs. With this version the tachometer input may be floated and the op amp becomes suitable for active filter conditioning of the tachometer output.

Both of these configurations are available with an active shunt regulator connected across the power leads. The regulator clamps the supply such that stable frequency to voltage and frequency to current operations are possible with any supply voltage and a suitable resistor.

#### ENHANCED PLASTIC

- Extended Temperature Performance of  $-40^{\circ}\text{C}$  to  $+85^{\circ}\text{C}$
- Baseline Control - Single Fab & Assembly Site
- Process Change Notification (PCN)
- Qualification & Reliability Data
- Solder (PbSn) Lead Finish is standard
- Enhanced Diminishing Manufacturing Sources (DMS) Support

### Features

- Ground referenced tachometer input interfaces directly with variable reluctance magnetic pickups
- Op amp/comparator has floating transistor output
- 50 mA sink or source to operate relays, solenoids, meters, or LEDs
- Frequency doubling for low ripple
- Tachometer has built-in hysteresis with either differential input or ground referenced input
- Built-in zener on LM2917EP
- $\pm 0.3\%$  linearity typical
- Ground referenced tachometer is fully protected from damage due to swings above  $V_{CC}$  and below ground

### Advantages

- Output swings to ground for zero frequency input
- Easy to use;  $V_{OUT} = f_{IN} \times V_{CC} \times R1 \times C1$
- Only one RC network provides frequency doubling
- Zener regulator on chip allows accurate and stable frequency to voltage or current conversion (LM2917EP)

### Applications

- Selected Military Applications
- Selected Avionics Applications

### Ordering Information

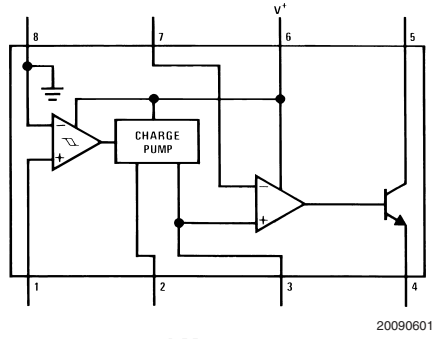
| PART NUMBER  | VIN PART NUMBER | NS PACKAGE NUMBER (Note 3) |
|--------------|-----------------|----------------------------|
| LM2907MX-8EP | V62/04635-01    | M08A                       |
| LM2917MXEP   | V62/04635-02    | M14A                       |
| (Notes 1, 2) | TBD             | TBD                        |

**Note 1:** For the following (Enhanced Plastic) versions, check for availability: LM2907M-8EP, LM2907MEP, LM2907MXEP, LM2907N-8EP, LM2907NEP and LM2917M-8EP, LM2917MX-8EP, LM2917MEP, LM2917N-8EP, LM2917NEP. Parts listed with an "X" are provided in Tape & Reel and parts without an "X" are in Rails.

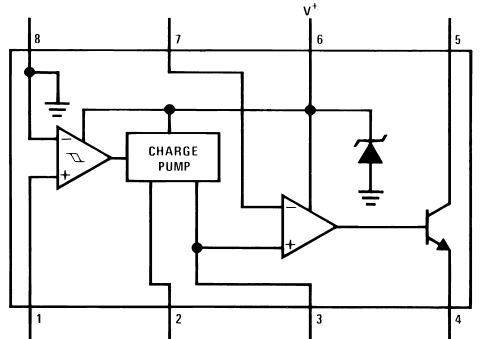
**Note 2:** FOR ADDITIONAL ORDERING AND PRODUCT INFORMATION, PLEASE VISIT THE ENHANCED PLASTIC WEB SITE AT: [www.national.com/mil](http://www.national.com/mil)

**Note 3:** Refer to package details under Physical Dimensions

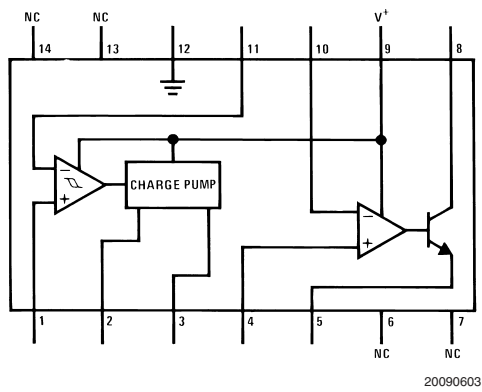
# Block and Connection Diagrams Dual-In-Line and Small Outline Packages, Top Views



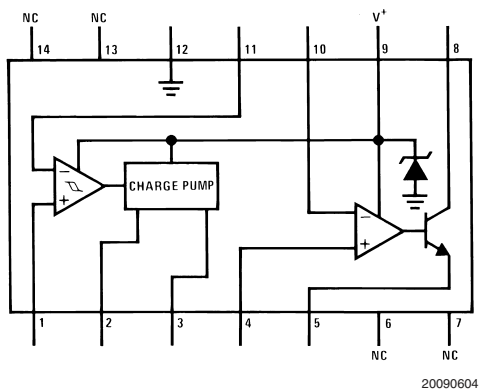
**LM2907-8**  
See NS Package Number M08A or N08E



**LM2917-8**  
See NS Package Number M08A or N08E



**LM2907**  
See NS Package Number M14A or N14A



**LM2917**  
See NS Package Number M14A or N14A

### Absolute Maximum Ratings (Note 4)

If Military/Aerospace specified devices are required, please contact the National Semiconductor Sales Office/Distributors for availability and specifications.

|                            |              |
|----------------------------|--------------|
| Supply Voltage             | 28V          |
| Collector Voltage          | 28V          |
| Differential Input Voltage |              |
| Tachometer                 | 28V          |
| Op Amp/Comparator          | 28V          |
| Input Voltage Range        |              |
| Tachometer                 |              |
| LM2907-8EP, LM2917-8EP     | ±28V         |
| LM2907EP, LM2917EP         | 0.0V to +28V |

|                             |                 |
|-----------------------------|-----------------|
| Op Amp/Comparator           | 0.0V to +28V    |
| Power Dissipation (Note 4)  |                 |
| LM2907-8EP, LM2917-8EP      | 1200 mW         |
| LM2907-14EP, LM2917-14EP    | 1580 mW         |
| Operating Temperature Range | -40°C to +85°C  |
| Storage Temperature Range   | -65°C to +150°C |
| Soldering Information       |                 |
| Dual-In-Line Package        |                 |
| Soldering (10 seconds)      | 260°C           |
| Small Outline Package       |                 |
| Vapor Phase (60 seconds)    | 215°C           |
| Infrared (15 seconds)       | 220°C           |

### Electrical Characteristics $V_{CC} = 12 V_{DC}$ , $T_A = 25^\circ C$ , see test circuit

| Symbol                   | Parameter                 | Conditions   | Min  | Typ  | Max             | Units |
|--------------------------|---------------------------|--|------|------|-----------------|-------|
| <b>TACHOMETER</b>        |                           |  |      |      |                 |       |
|                          | Input Thresholds          | $V_{IN} = 250 \text{ mVp-p @ } 1 \text{ kHz (Note 5)}$             | ±10  | ±25  | ±40             | mV    |
|                          | Hysteresis                | $V_{IN} = 250 \text{ mVp-p @ } 1 \text{ kHz (Note 5)}$             |      | 30   |                 | mV    |
|                          | Offset Voltage            | $V_{IN} = 250 \text{ mVp-p @ } 1 \text{ kHz (Note 5)}$             |      |      |                 |       |
|                          | LM2907EP/LM2917EP         |  |      | 3.5  | 10              | mV    |
|                          | LM2907-8EP/LM2917-8EP     |  |      | 5    | 15              | mV    |
|                          | Input Bias Current        | $V_{IN} = \pm 50 \text{ mV}_{DC}$                                  |      | 0.1  | 1               | µA    |
| $V_{OH}$                 | Pin 2                     | $V_{IN} = +125 \text{ mV}_{DC} \text{ (Note 6)}$                   |      | 8.3  |                 | V     |
| $V_{OL}$                 | Pin 2                     | $V_{IN} = -125 \text{ mV}_{DC} \text{ (Note 6)}$                   |      | 2.3  |                 | V     |
| $I_2, I_3$               | Output Current            | $V_2 = V_3 = 6.0V \text{ (Note 7)}$                                | 140  | 180  | 240             | µA    |
| $I_3$                    | Leakage Current           | $I_2 = 0, V_3 = 0$   |      |      | 0.1             | µA    |
| K                        | Gain Constant             | (Note 6)   | 0.9  | 1.0  | 1.1             |       |
|                          | Linearity                 | $f_{IN} = 1 \text{ kHz, } 5 \text{ kHz, } 10 \text{ kHz (Note 8)}$ | -1.0 | 0.3  | +1.0            | %     |
| <b>OP/AMP COMPARATOR</b> |                           |  |      |      |                 |       |
| $V_{OS}$                 |                           | $V_{IN} = 6.0V$  |      | 3    | 10              | mV    |
| $I_{BIAS}$               |                           | $V_{IN} = 6.0V$  |      | 50   | 500             | nA    |
|                          | Input Common-Mode Voltage |  | 0    |      | $V_{CC} - 1.5V$ | V     |
|                          | Voltage Gain              |  |      | 200  |                 | V/mV  |
|                          | Output Sink Current       | $V_C = 1.0$  | 40   | 50   |                 | mA    |
|                          | Output Source Current     | $V_E = V_{CC} - 2.0$   |      | 10   |                 | mA    |
|                          | Saturation Voltage        | $I_{SINK} = 5 \text{ mA}$  |      | 0.1  | 0.5             | V     |
|                          |                           | $I_{SINK} = 20 \text{ mA}$   |      |      | 1.0             | V     |
|                          |                           | $I_{SINK} = 50 \text{ mA}$   |      | 1.0  | 1.5             | V     |
| <b>ZENER REGULATOR</b>   |                           |  |      |      |                 |       |
|                          | Regulator Voltage         | $R_{DROP} = 470\Omega$   |      | 7.56 |                 | V     |
|                          | Series Resistance         |  |      | 10.5 | 15              | Ω     |
|                          | Temperature Stability     |  |      | +1   |                 | mV/°C |
|                          | Total Supply Current      |  |      | 3.8  | 6               | mA    |

**Note 4:** For operation in ambient temperatures above 25°C, the device must be derated based on a 150°C maximum junction temperature and a thermal resistance of 101°C/W junction to ambient for LM2907-8EP and LM2917-8EP, and 79°C/W junction to ambient for LM2907-14EP and LM2917-14EP.

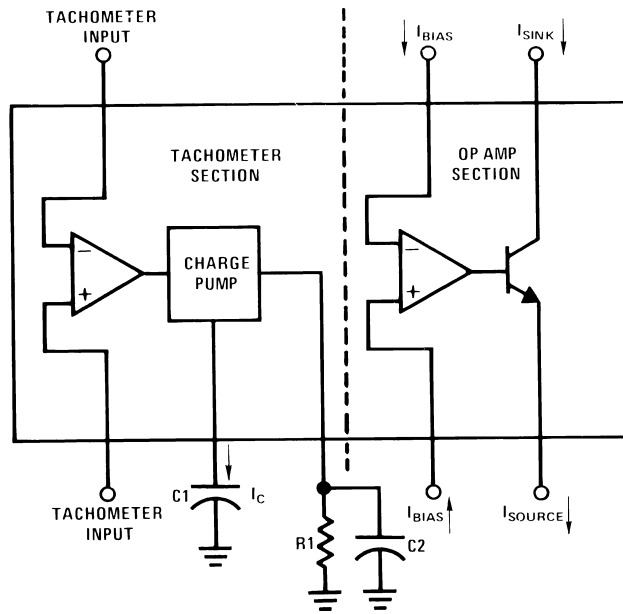
**Note 5:** Hysteresis is the sum  $+V_{TH} - (-V_{TH})$ , offset voltage is their difference. See test circuit.

**Note 6:**  $V_{OH}$  is equal to  $\frac{3}{4} \times V_{CC} - 1 V_{BE}$ ,  $V_{OL}$  is equal to  $\frac{1}{4} \times V_{CC} - 1 V_{BE}$  therefore  $V_{OH} - V_{OL} = V_{CC}/2$ . The difference,  $V_{OH} - V_{OL}$ , and the mirror gain,  $I_2/I_3$ , are the two factors that cause the tachometer gain constant to vary from 1.0.

**Note 7:** Be sure when choosing the time constant  $R1 \times C1$  that  $R1$  is such that the maximum anticipated output voltage at pin 3 can be reached with  $I_3 \times R1$ . The maximum value for  $R1$  is limited by the output resistance of pin 3 which is greater than 10 MΩ typically.

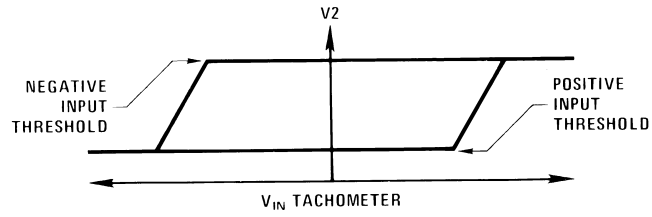
**Note 8:** Nonlinearity is defined as the deviation of  $V_{OUT}$  (@ pin 3) for  $f_{IN} = 5 \text{ kHz}$  from a straight line defined by the  $V_{OUT}$  @ 1 kHz and  $V_{OUT}$  @ 10 kHz.  $C1 = 1000 \text{ pF}$ ,  $R1 = 68k$  and  $C2 = 0.22 \text{ mF}$ .

### Test Circuit and Waveform



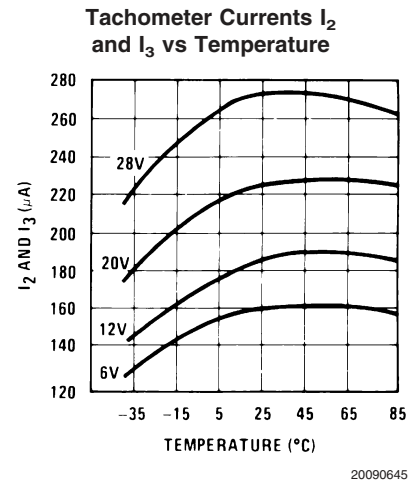
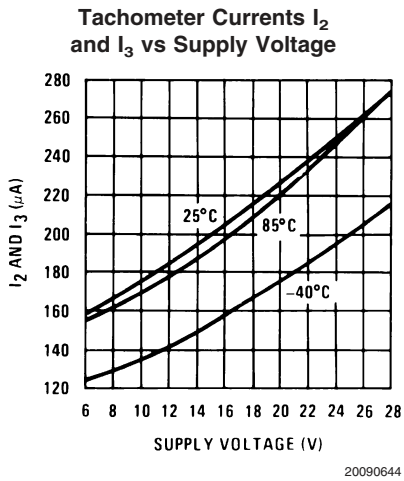
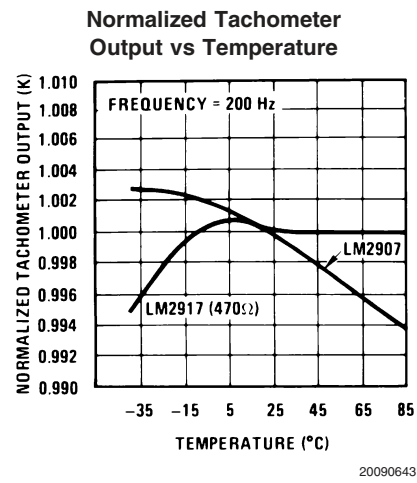
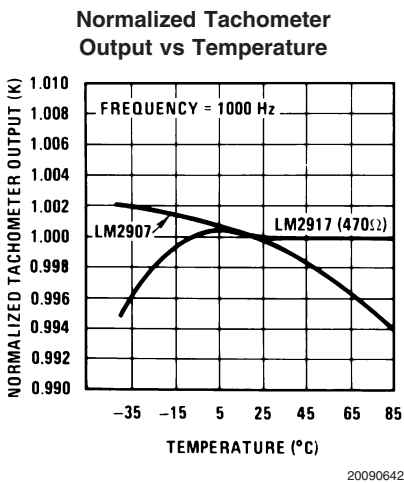
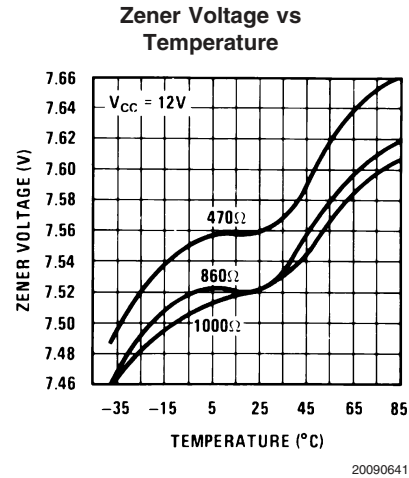
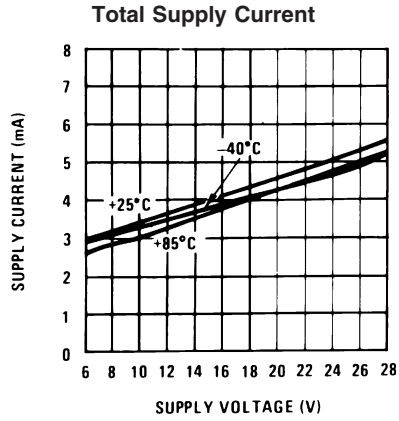
20090606

### Tachometer Input Threshold Measurement

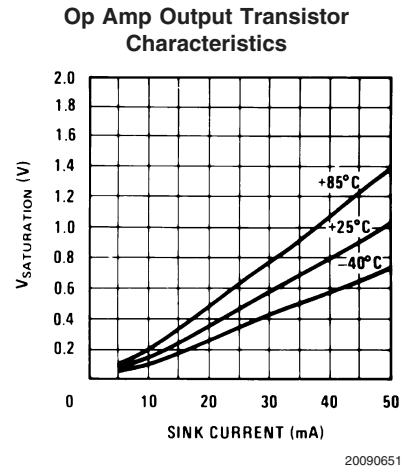
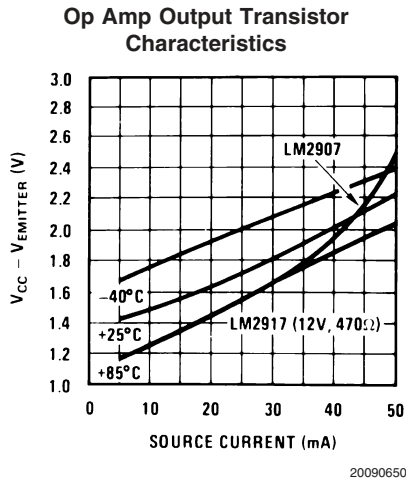
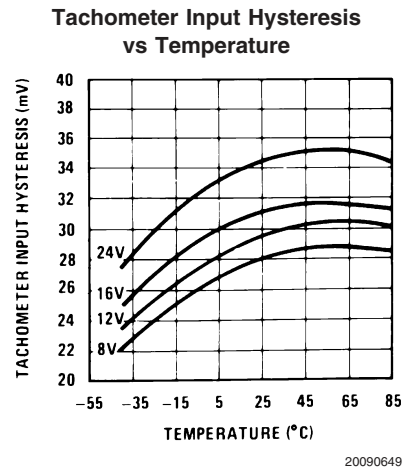
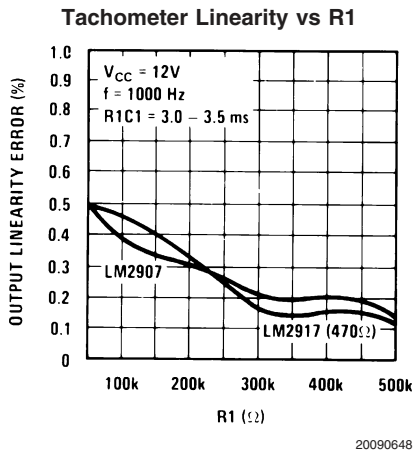
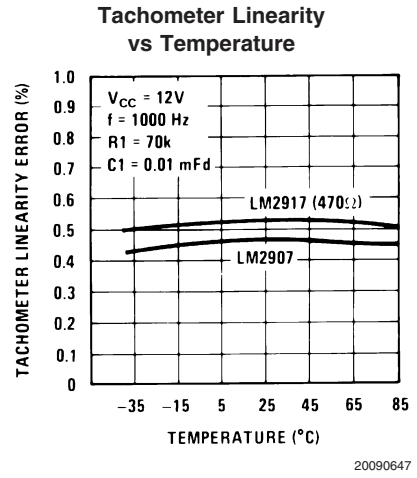
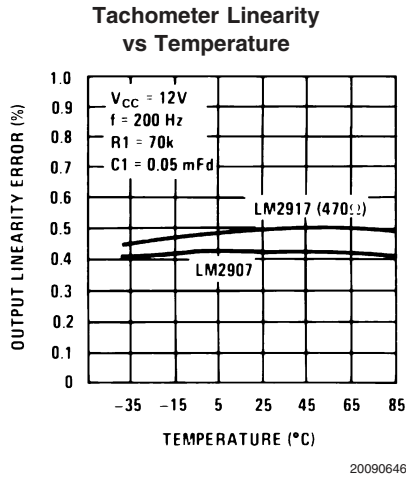


20090607

# Typical Performance Characteristics



Typical Performance Characteristics (Continued)



## Applications Information

The LM2907EP series of tachometer circuits is designed for minimum external part count applications and maximum versatility. In order to fully exploit its features and advantages let's examine its theory of operation. The first stage of operation is a differential amplifier driving a positive feedback flip-flop circuit. The input threshold voltage is the amount of differential input voltage at which the output of this stage changes state. Two options (LM2907-8EP, LM2917-8EP) have one input internally grounded so that an input signal must swing above and below ground and exceed the input thresholds to produce an output. This is offered specifically for magnetic variable reluctance pickups which typically provide a single-ended ac output. This single input is also fully protected against voltage swings to  $\pm 28V$ , which are easily attained with these types of pickups.

The differential input options (LM2907EP, LM2917EP) give the user the option of setting his own input switching level and still have the hysteresis around that level for excellent noise rejection in any application. Of course in order to allow the inputs to attain common-mode voltages above ground, input protection is removed and neither input should be taken outside the limits of the supply voltage being used. It is very important that an input not go below ground without some resistance in its lead to limit the current that will then flow in the epi-substrate diode.

Following the input stage is the charge pump where the input frequency is converted to a dc voltage. To do this requires one timing capacitor, one output resistor, and an integrating or filter capacitor. When the input stage changes state (due to a suitable zero crossing or differential voltage on the input) the timing capacitor is either charged or discharged linearly between two voltages whose difference is  $V_{CC}/2$ . Then in one half cycle of the input frequency or a time equal to  $1/2 f_{IN}$  the change in charge on the timing capacitor is equal to  $V_{CC}/2 \times C1$ . The average amount of current pumped into or out of the capacitor then is:

$$\frac{\Delta Q}{T} = i_{c(AVG)} = C1 \times \frac{V_{CC}}{2} \times (2f_{IN}) = V_{CC} \times f_{IN} \times C1$$

The output circuit mirrors this current very accurately into the load resistor R1, connected to ground, such that if the pulses of current are integrated with a filter capacitor, then  $V_O = i_c \times R1$ , and the total conversion equation becomes:

$$V_O = V_{CC} \times f_{IN} \times C1 \times R1 \times K$$

Where K is the gain constant—typically 1.0.

The size of C2 is dependent only on the amount of ripple voltage allowable and the required response time.

### CHOOSING R1 AND C1

There are some limitations on the choice of R1 and C1 which should be considered for optimum performance. The timing capacitor also provides internal compensation for the charge pump and should be kept larger than 500 pF for very accurate operation. Smaller values can cause an error current on R1, especially at low temperatures. Several considerations must be met when choosing R1. The output current at pin 3 is internally fixed and therefore  $V_O/R1$  must be less than or equal to this value. If R1 is too large, it can become a significant fraction of the output impedance at pin 3 which degrades linearity. Also output ripple voltage must be considered and the size of C2 is affected by R1. An expression that describes the ripple content on pin 3 for a single R1C2 combination is:

$$V_{RIPPLE} = \frac{V_{CC}}{2} \times \frac{C1}{C2} \times \left( 1 - \frac{V_{CC} \times f_{IN} \times C1}{I_2} \right) \text{ pk-pk}$$

It appears R1 can be chosen independent of ripple, however response time, or the time it takes  $V_{OUT}$  to stabilize at a new voltage increases as the size of C2 increases, so a compromise between ripple, response time, and linearity must be chosen carefully.

As a final consideration, the maximum attainable input frequency is determined by  $V_{CC}$ , C1 and  $I_2$ :

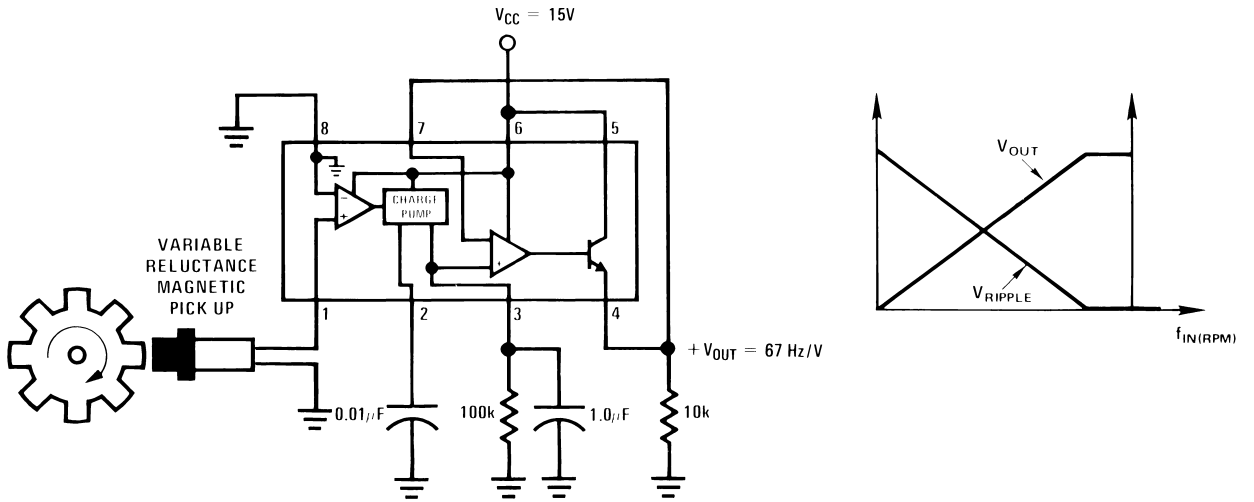
$$f_{MAX} = \frac{I_2}{C1 \times V_{CC}}$$

### USING ZENER REGULATED OPTIONS (LM2917EP)

For those applications where an output voltage or current must be obtained independent of supply voltage variations, the LM2917EP is offered. The most important consideration in choosing a dropping resistor from the unregulated supply to the device is that the tachometer and op amp circuitry alone require about 3 mA at the voltage level provided by the zener. At low supply voltages there must be some current flowing in the resistor above the 3 mA circuit current to operate the regulator. As an example, if the raw supply varies from 9V to 16V, a resistance of 470 $\Omega$  will minimize the zener voltage variation to 160 mV. If the resistance goes under 400 $\Omega$  or over 600 $\Omega$  the zener variation quickly rises above 200 mV for the same input variation.

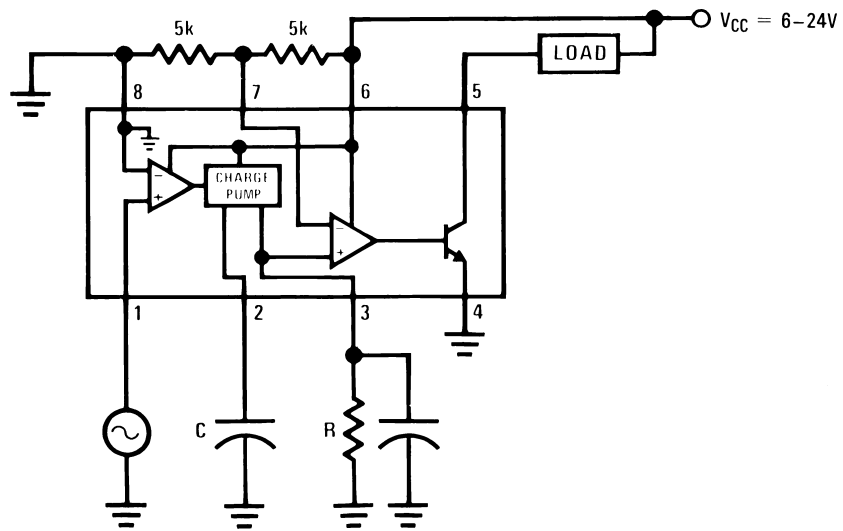
# Typical Applications

Minimum Component Tachometer



20090608

"Speed Switch" Load is Energized When  $f_{IN} \geq \frac{1}{2RC}$

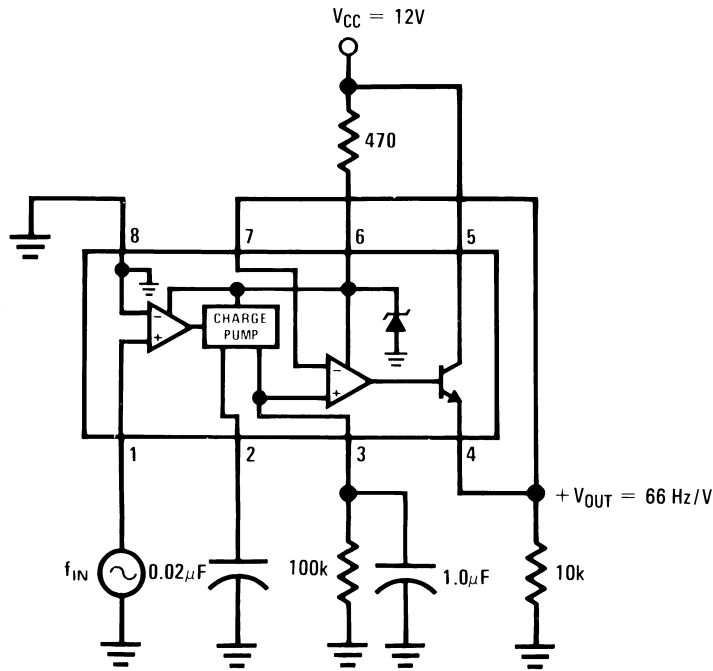


20090609



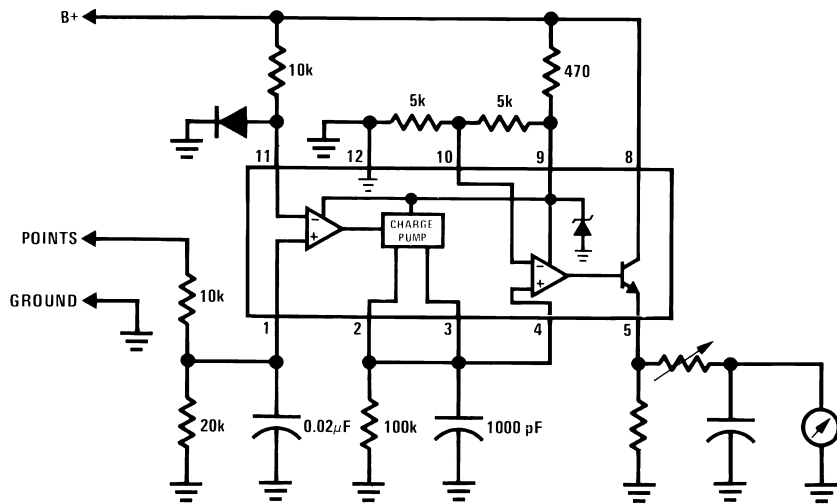
Typical Applications (Continued)

Zener Regulated Frequency to Voltage Converter



20090610

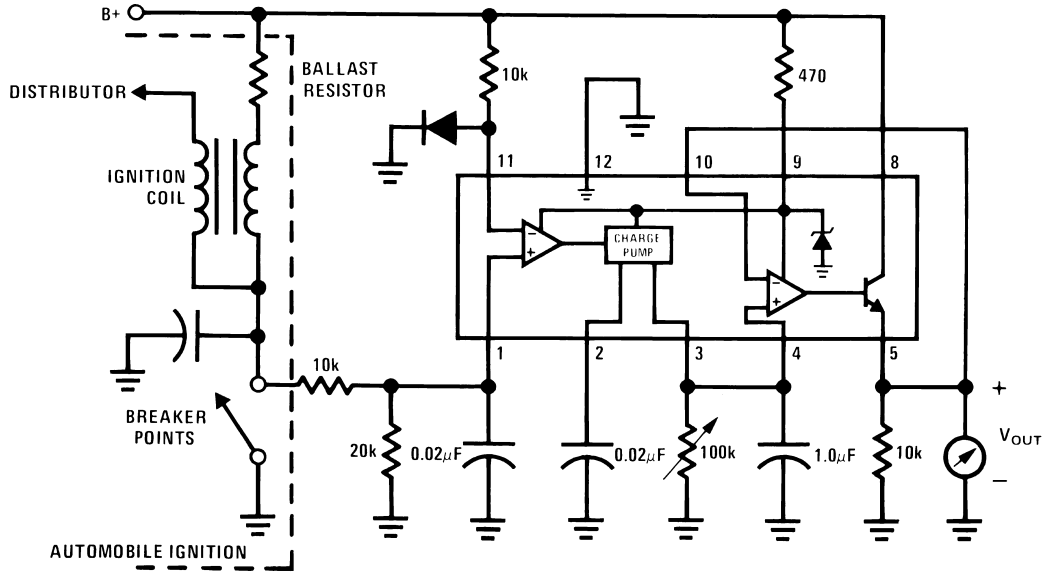
Breaker Point Dwell Meter



20090611

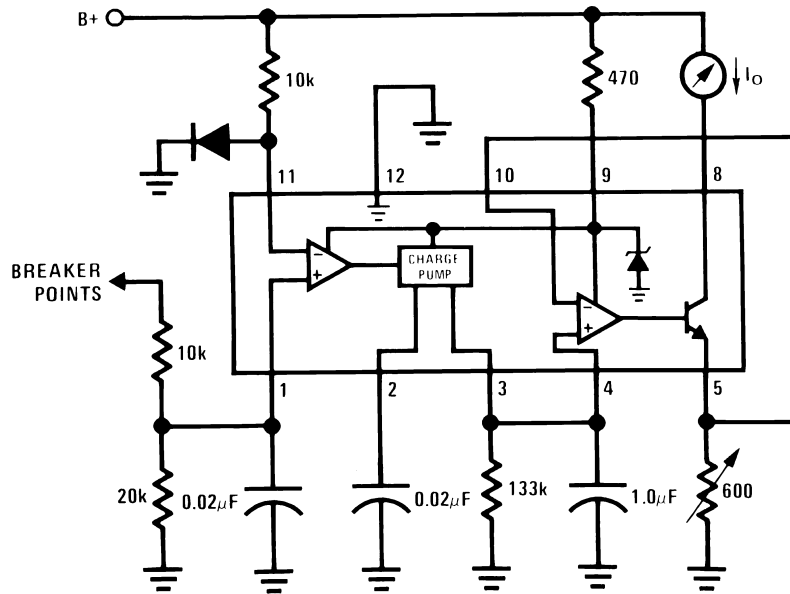
Typical Applications (Continued)

Voltage Driven Meter Indicating Engine RPM  
 $V_o = 6V @ 400 \text{ Hz or } 6000 \text{ ERPM (8 Cylinder Engine)}$



20090612

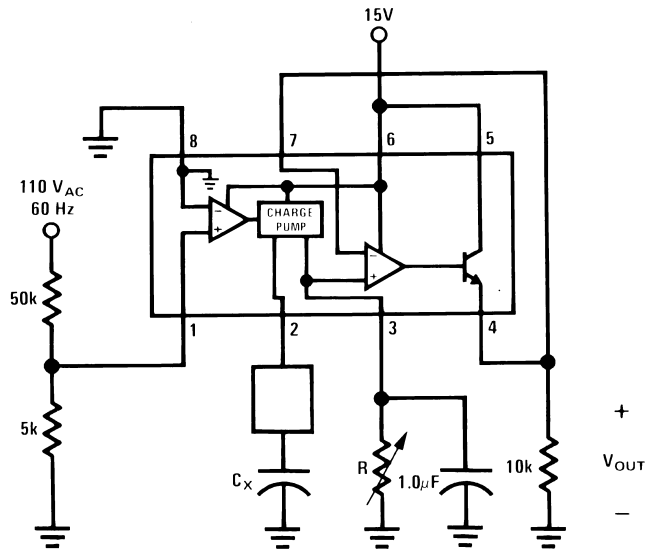
Current Driven Meter Indicating Engine RPM  
 $I_o = 10 \text{ mA @ } 300 \text{ Hz or } 6000 \text{ ERPM (6 Cylinder Engine)}$



20090613

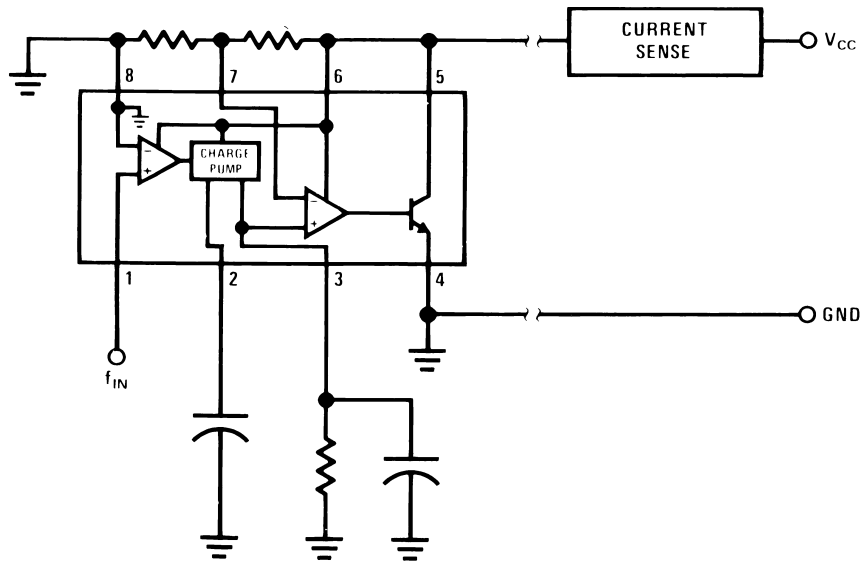
Typical Applications (Continued)

**Capacitance Meter**  
 $V_{OUT} = 1V-10V$  for  $C_X = 0.01$  to  $0.1$  mFd  
 ( $R = 111k$ )



20090614

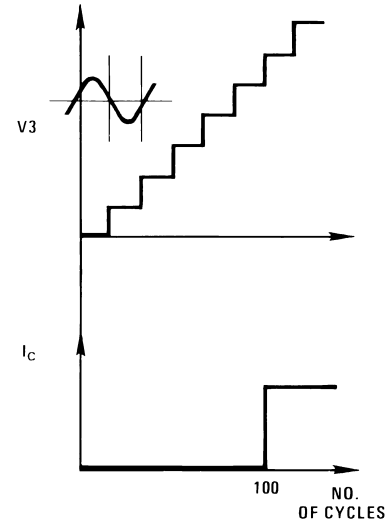
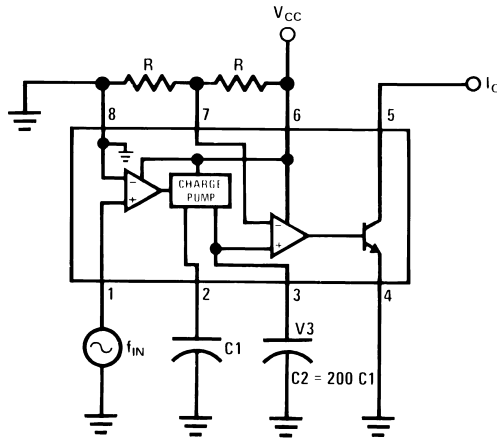
**Two-Wire Remote Speed Switch**



20090615

## Typical Applications (Continued)

### 100 Cycle Delay Switch



20090616

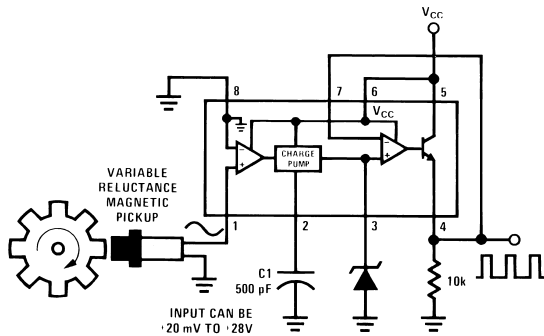
$V_3$  steps up in voltage by the amount  $\frac{V_{CC} \times C_1}{C_2}$   
for each complete input cycle (2 zero crossings)

Example:

if  $C_2 = 200 C_1$  after 100 consecutive input cycles.

$$V_3 = 1/2 V_{CC}$$

### Variable Reluctance Magnetic Pickup Buffer Circuits

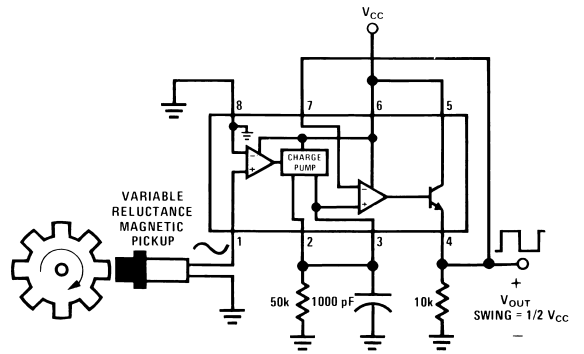


20090639

Precision two-shot output frequency  
equals twice input frequency.

$$\text{Pulse width} = \frac{V_{CC} C_1}{2 I_2}$$

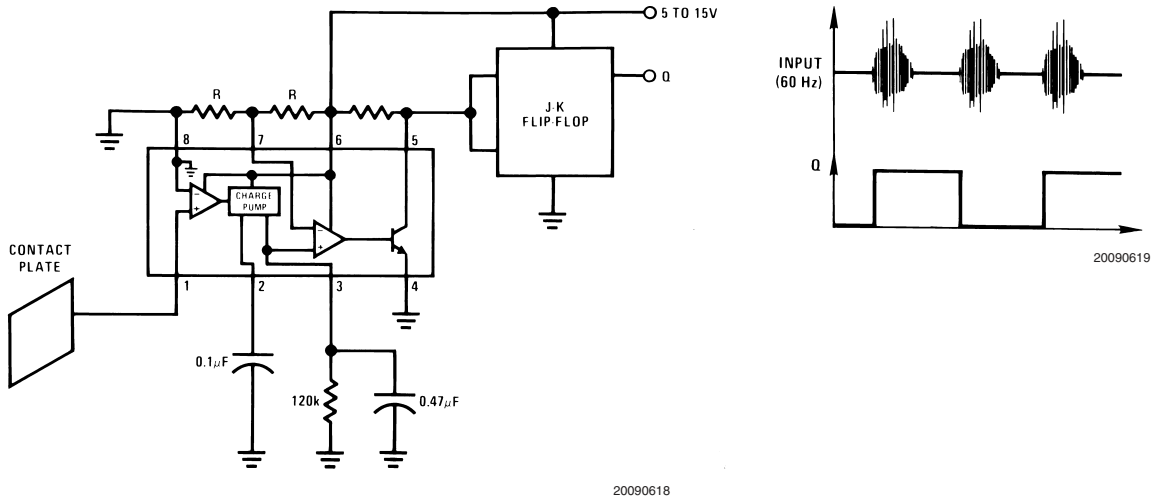
Pulse height =  $V_{ZENER}$



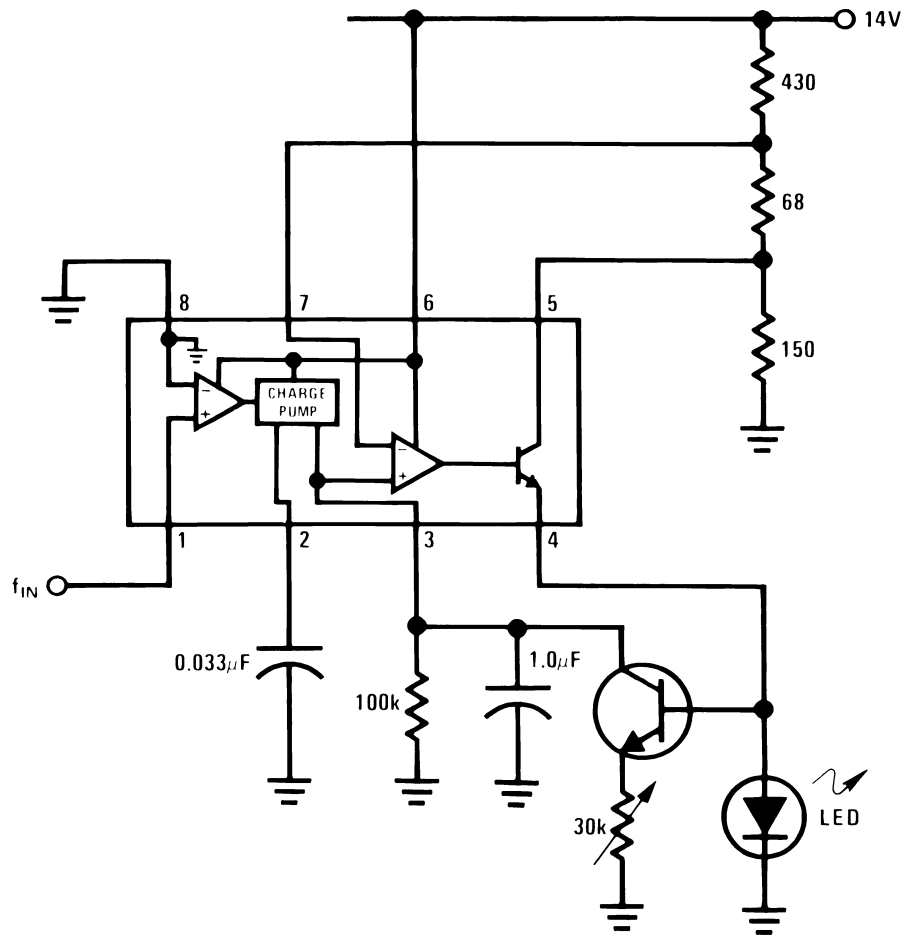
20090617

# Typical Applications (Continued)

## Finger Touch or Contact Switch



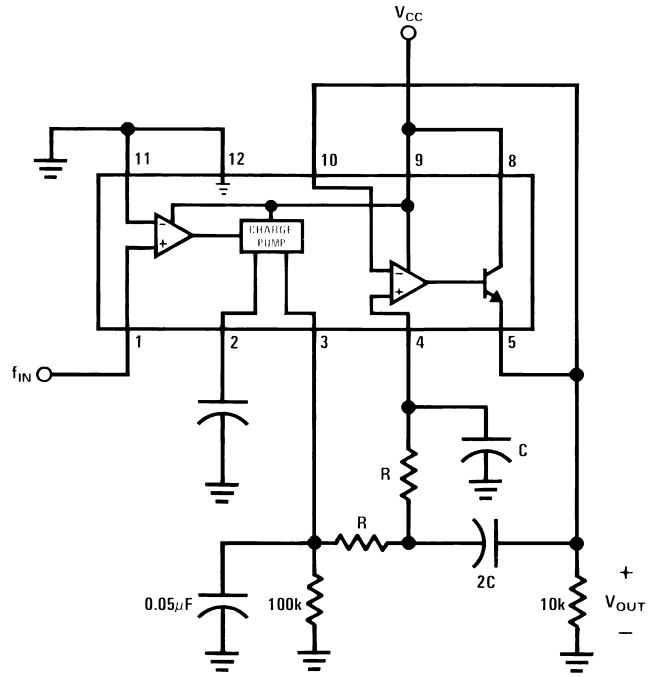
## Flashing LED Indicates Overspeed



Flashing begins when  $f_{IN} \geq 100$  Hz.  
Flash rate increases with input frequency  
increase beyond trip point.

## Typical Applications (Continued)

### Frequency to Voltage Converter with 2 Pole Butterworth Filter to Reduce Ripple

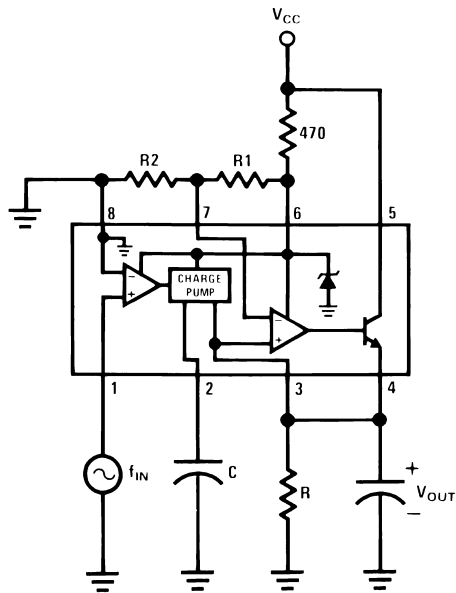


20090621

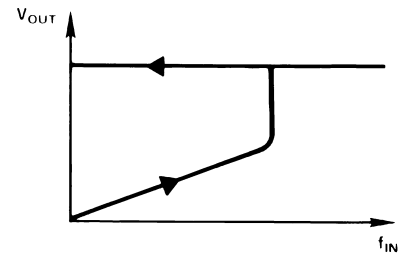
$$f_{POLE} = \frac{0.707}{2\pi RC}$$

$$T_{RESPONSE} = \frac{2.57}{2\pi f_{POLE}}$$

### Overspeed Latch



20090622



20090623

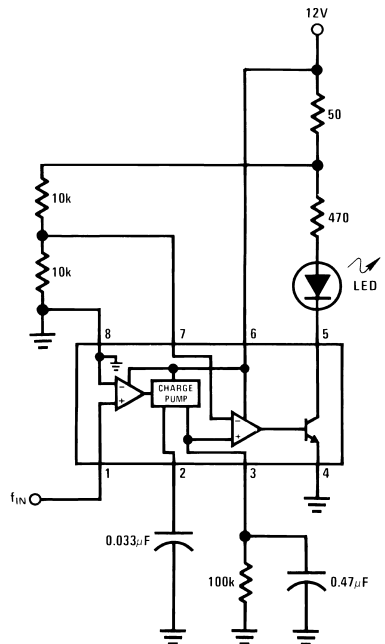
Output latches when

$$f_{IN} = \frac{R2}{R1 + R2} \frac{1}{RC}$$

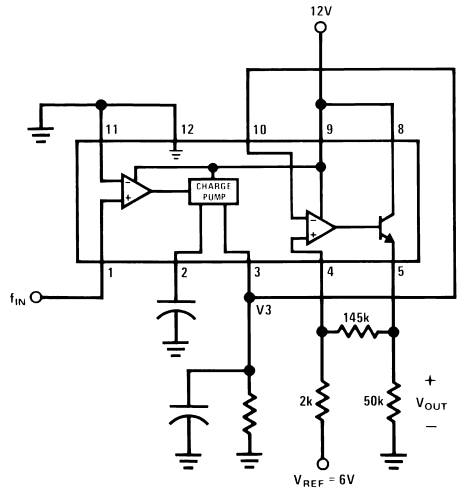
Reset by removing  $V_{CC}$ .

## Typical Applications (Continued)

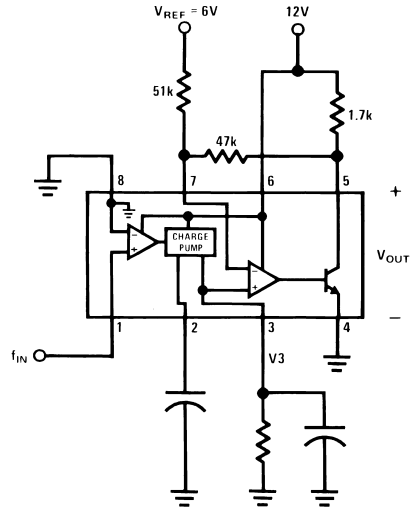
Some Frequency Switch Applications May Require Hysteresis in the Comparator Function Which can be Implemented in Several Ways:



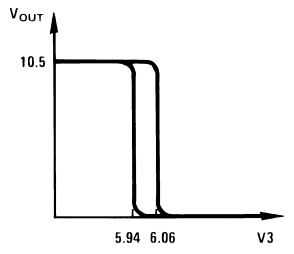
20090624



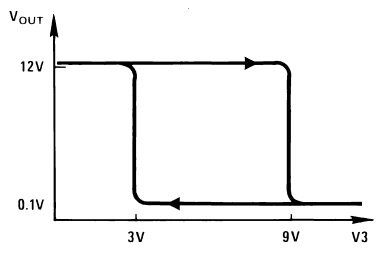
20090625



20090626



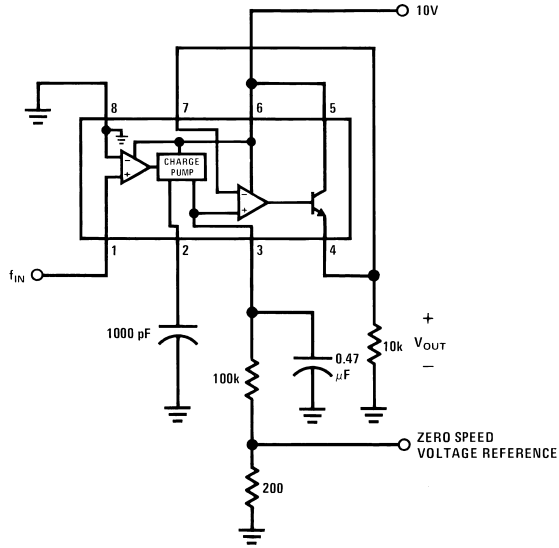
20090627



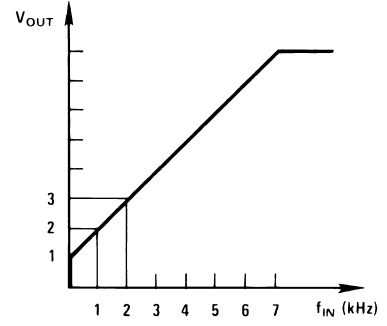
20090628

## Typical Applications (Continued)

### Changing the Output Voltage for an Input Frequency of Zero

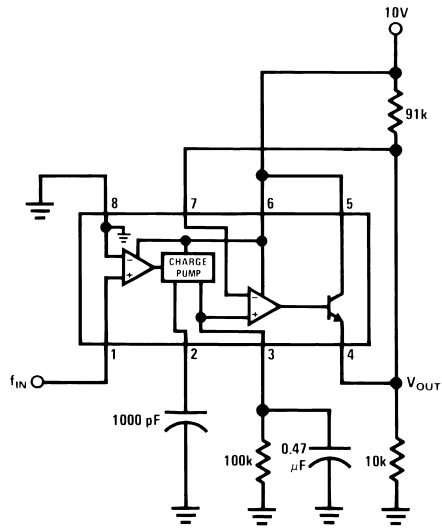


20090629

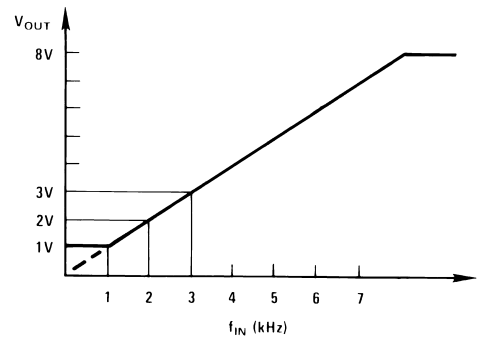


20090630

### Changing Tachometer Gain Curve or Clamping the Minimum Output Voltage



20090631

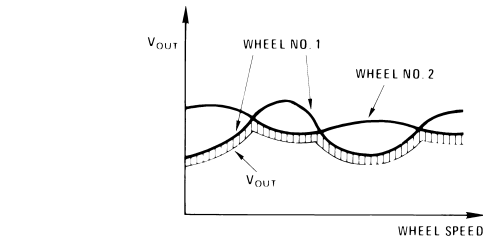
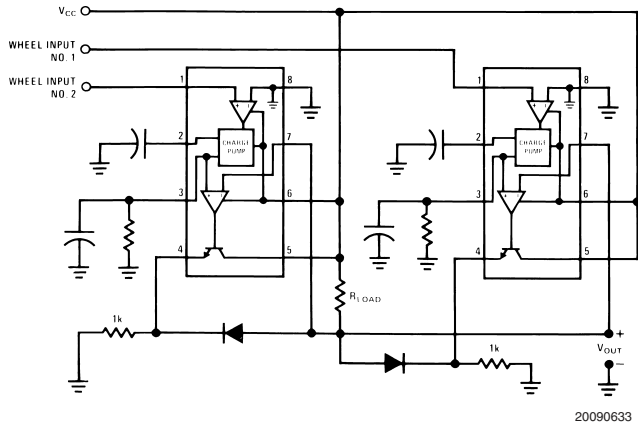


20090632



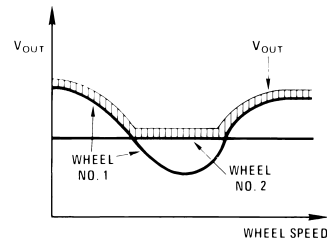
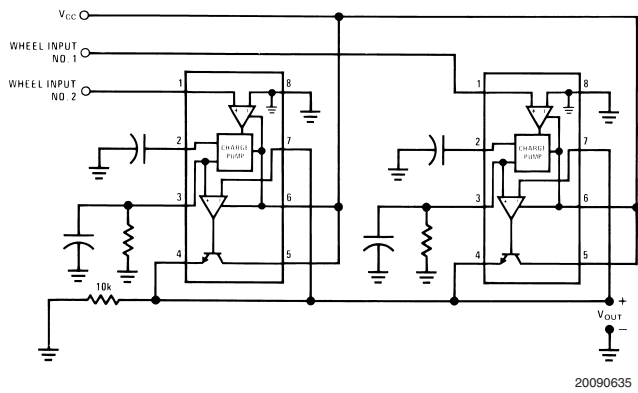
# Anti-Skid Circuit Functions

## “Select-Low” Circuit



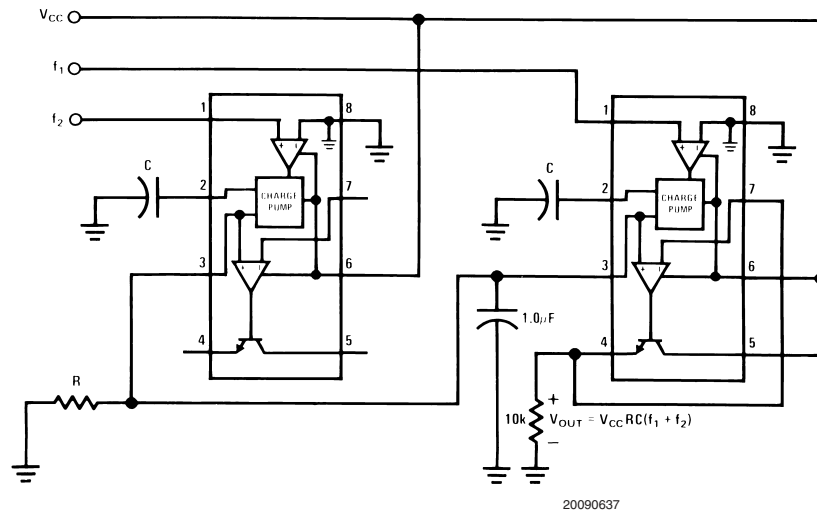
$V_{OUT}$  is proportional to the lower of the two input wheel speeds.

## “Select-High” Circuit



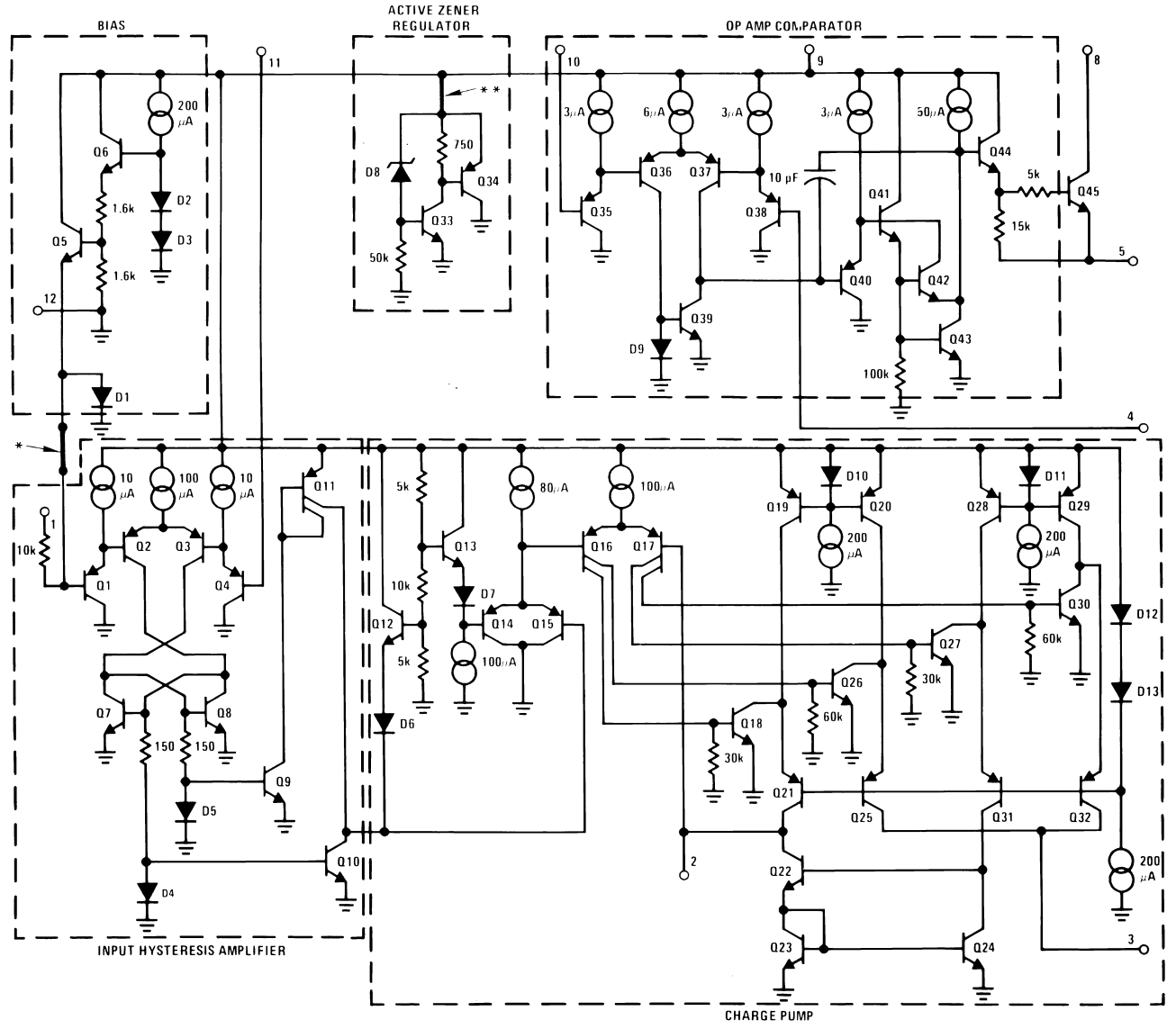
$V_{OUT}$  is proportional to the higher of the two input wheel speeds.

## “Select-Average” Circuit



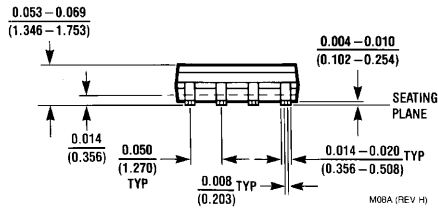
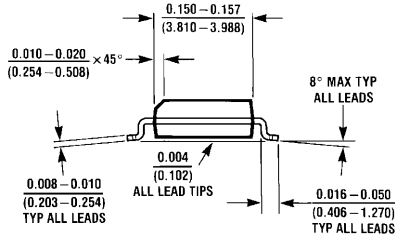
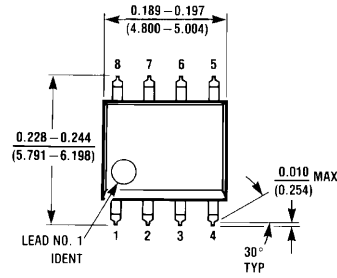
$V_{OUT} = V_{CC}RC(f_1 + f_2)$

# Equivalent Schematic Diagram

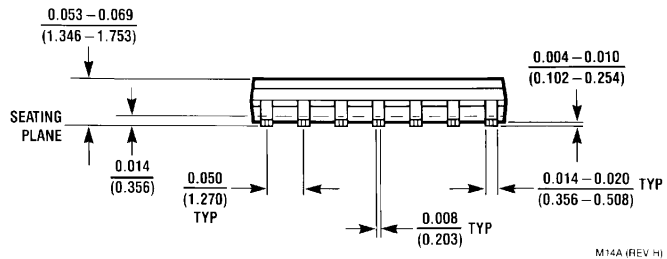
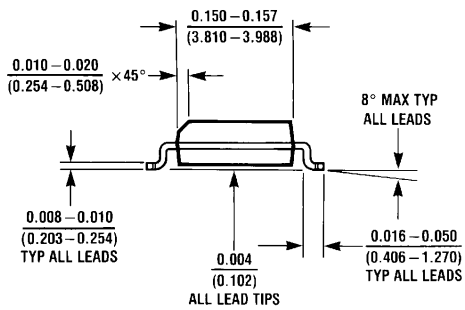
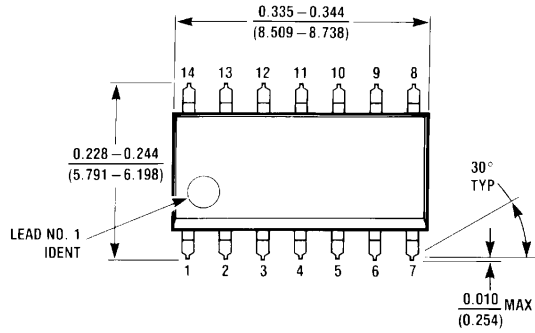


\*This connection made on LM2907-8EP and LM2917-8EP only.  
 \*\*This connection made on LM2917EP and LM2917-8EP only.

**Physical Dimensions** inches (millimeters) unless otherwise noted

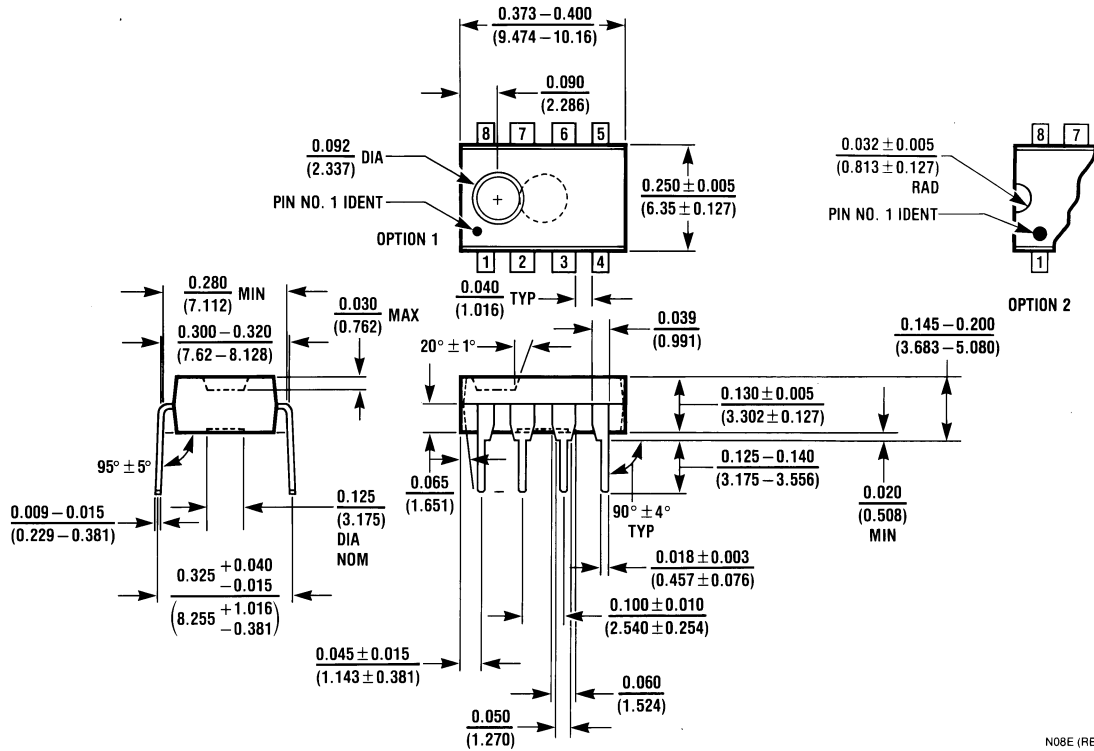


**8-Lead (0.150" Wide) Molded Small Outline Package, JEDEC NS Package Number M08A**

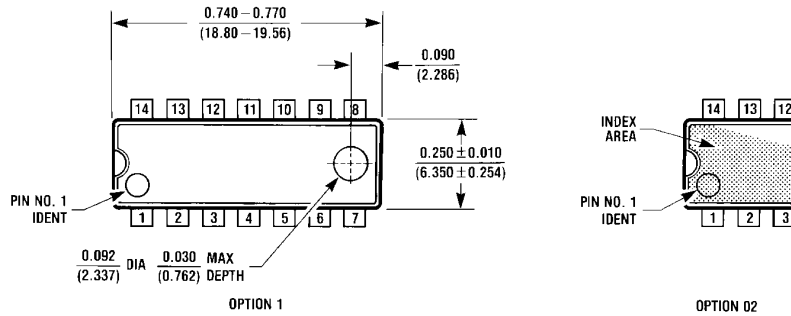


**14-Lead Molded SO Package NS Package Number M14A**

**Physical Dimensions** inches (millimeters) unless otherwise noted (Continued)



Molded Dual-In-Line Package (N)  
NS Package Number N08E



Molded Dual-In-Line Package (N)  
NS Package Number N14A

## Notes

### LIFE SUPPORT POLICY

NATIONAL'S PRODUCTS ARE NOT AUTHORIZED FOR USE AS CRITICAL COMPONENTS IN LIFE SUPPORT DEVICES OR SYSTEMS WITHOUT THE EXPRESS WRITTEN APPROVAL OF THE PRESIDENT AND GENERAL COUNSEL OF NATIONAL SEMICONDUCTOR CORPORATION. As used herein:

1. Life support devices or systems are devices or systems which, (a) are intended for surgical implant into the body, or (b) support or sustain life, and whose failure to perform when properly used in accordance with instructions for use provided in the labeling, can be reasonably expected to result in a significant injury to the user.
2. A critical component is any component of a life support device or system whose failure to perform can be reasonably expected to cause the failure of the life support device or system, or to affect its safety or effectiveness.

### BANNED SUBSTANCE COMPLIANCE

National Semiconductor certifies that the products and packing materials meet the provisions of the Customer Products Stewardship Specification (CSP-9-111C2) and the Banned Substances and Materials of Interest Specification (CSP-9-111S2) and contain no "Banned Substances" as defined in CSP-9-111S2.



**National Semiconductor**  
**Americas Customer**  
**Support Center**  
 Email: [new.feedback@nsc.com](mailto:new.feedback@nsc.com)  
 Tel: 1-800-272-9959

**National Semiconductor**  
**Europe Customer Support Center**  
 Fax: +49 (0) 180-530 85 86  
 Email: [europa.support@nsc.com](mailto:europa.support@nsc.com)  
 Deutsch Tel: +49 (0) 69 9508 6208  
 English Tel: +44 (0) 870 24 0 2171  
 Français Tel: +33 (0) 1 41 91 8790

**National Semiconductor**  
**Asia Pacific Customer**  
**Support Center**  
 Email: [ap.support@nsc.com](mailto:ap.support@nsc.com)

**National Semiconductor**  
**Japan Customer Support Center**  
 Fax: 81-3-5639-7507  
 Email: [jpn.feedback@nsc.com](mailto:jpn.feedback@nsc.com)  
 Tel: 81-3-5639-7560

[www.national.com](http://www.national.com)