



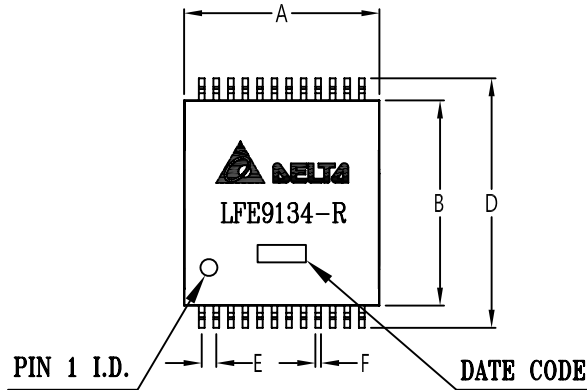
SPECIFICATION FOR APPROVAL

Customer Part No.:
 Delta Part No.: LFE9134-R
 Part Name: LAN Filter (1000 Base-T Single Port)

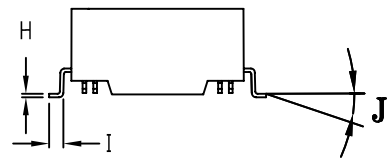
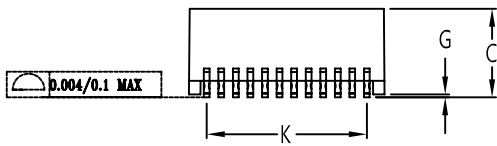
Rev.: D



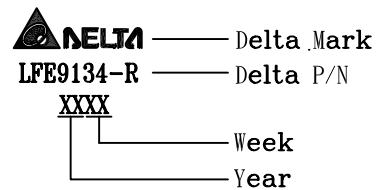
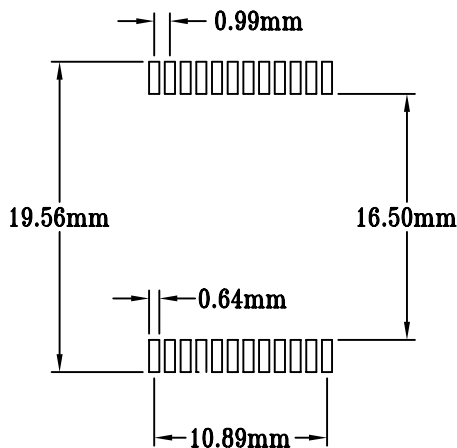
1. Mechanical Dimension:



UNIT: mm/inch
 A = 13.16±0.254/0.518±0.01
 B = 16.00±0.254/0.630±0.01
 C = 6.30±0.254/0.248±0.01
 D = 18.80±0.254/0.74±0.01
 E = 0.99±0.127/0.039±0.005
 F = 0.40±0.127/0.016±0.005
 G = 0.30±0.127/0.011±0.005
 H = 0.25±0.127/0.010±0.005
 I = 0.68±0.127/0.026±0.005
 J = 0°~5°
 K = 10.89±0.127/0.429±0.005
 co planarity : 0.004"



1-1. Marking and Recommended PCB Layout:



(Component Side)
 Suggested PCB Layout

* Marking

Drawn by
Sy.Du

Designed by
Yuyang.Ou

Checked by
Sunboy.Deng

Approved by
Johnson.Liao



SPECIFICATION FOR APPROVAL

Customer Part No.:
Delta Part No.: LFE9134-R
Part Name: LAN Filter (1000 Base-T Single Port)

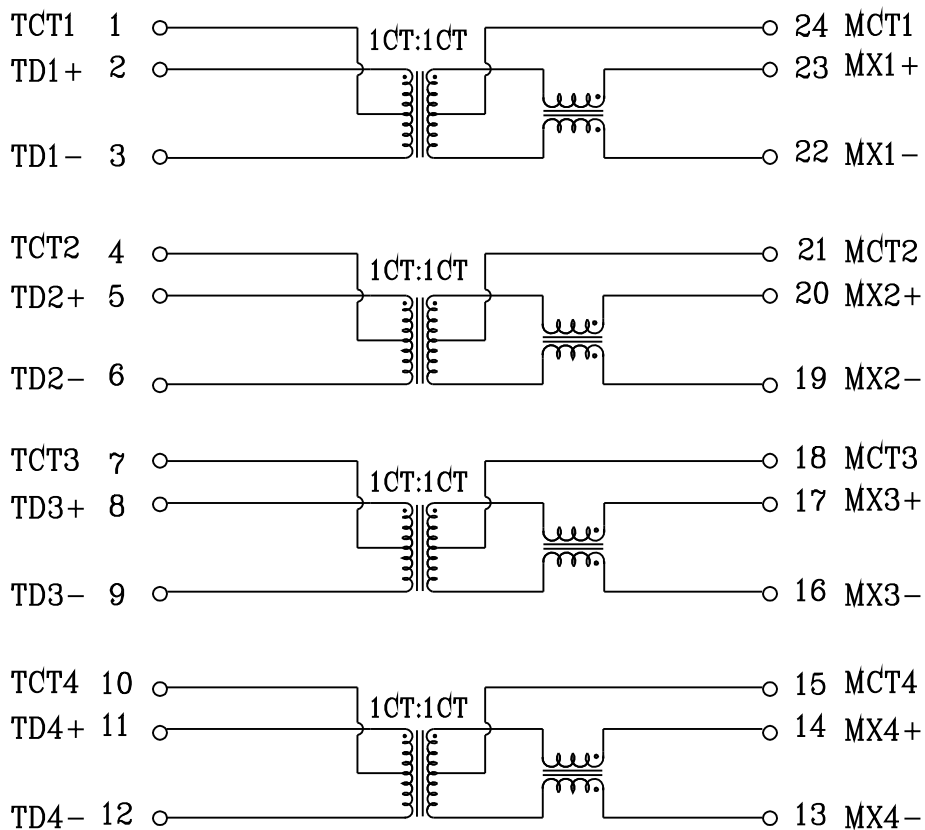
Rev.: D



2. Circuit Schematic

PHY Side

Line Side





SPECIFICATION FOR APPROVAL

Customer Part No.:
Delta Part No.: LFE9134-R
Part Name: LAN Filter (1000 Base-T Single Port)

Rev.: D



3. Electrical Characteristics (Temp.: 20~30°C, Humidity: 40~75% RH)

3-1. Insertion Loss:

1-100MHz -1.0dB MAX.
100-125MHz -1.2dB MAX.

3-2. Return Loss:

30MHz -18dB MIN.
60MHz -14dB MIN.
80MHz -12dB MIN.
100MHz -10dB MIN.

3-3. Cross Talk:

1-100MHz -30dB MIN.

3-4. Turns Ratio: @100KHz

(Pri : Sec) = 1CT:1CT±5%

3-5. Open Circuit Inductance: @100KHz,0.1Vrms

8mA DC Bias 350uH MIN.

3-6. Hi-pot Test: @60Hz,1mA

(Pri To Sec) : 1500Vrms,60Sec

- * RoHs Compliant
- * Solder Wire SAC 305 Sn 97/Ag 3.0
- * Operate Temperature Range: 0~70°C
- * Storage Temperature Range: -40°C~85°C
- * 350mA Current Capability