

TPA Series Navigation Tact Switch for SMT



Features/Benefits

- One touch, 5 way switching
- Distinctive tactile feel for scanning and select functions
- Allows panel sealing
- Normally open momentary contacts
- Subminiature overall dimensions
- Push down to select possible in any position

Typical Applications

- Electronic devices requiring direct control on LCD display
- Cellular phones
- PDA
- Digital cameras
- GPS navigation systems
- Home entertainment systems
- Security

Construction

FUNCTION: Multi-directional momentary action
CONTACT ARRANGEMENT: Make contact = SP, N.O.
TERMINALS: Gullwing type for SMT

Mechanical

SHAFT DISPLACEMENT:
Orthogonal 4 horizontal directions
Vertical Push down
TRAVEL TO MAKE:
Scanning
Orthogonal 0.35 mm±0.15 mm
Push to select 0.25 mm±0.15 mm
OPERATING FORCE:
Scanning Orthogonal 1.85 N ± 0.5 N
Push to select Vertical 4.0 N ± 0.8 N
MAXIMUM APPLIED FORCE:
Horizontal 10 N
Vertical 40 N
LIFE EXPECTANCY:
Scanning 200,000 operations in each direction
Push to select 200,000 operations

Electrical

	Silver	Gold
MAXIMUM POWER:	1 VA	0.2 VA
MAXIMUM VOLTAGE:	24 V	24 V
MAXIMUM CURRENT DC:	50 mA	10 mA
MINIMUM CURRENT DC:	1 mA	1 mA

DIELECTRIC STRENGTH: 250 VDC
CONTACT RESISTANCE, INITIAL: ≤ 200 mΩ
INSULATION RESISTANCE (100 VDC): 10⁹ Ω
BOUNCE TIME: < 10 ms

Environmental

	Silver	Gold
OPERATING TEMPERATURE:	-40°C to 85°C	-40°C to 110°C
STORAGE TEMPERATURE:	-55°C to 85°C	-55°C to 125°C

Process

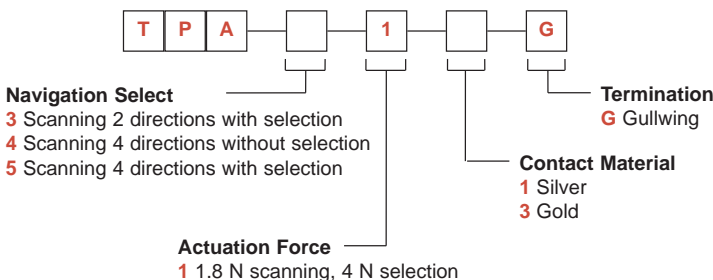
Soldering process: Infrared reflow according to CECC 0802
No washing
Hand soldering max. 350° 3S (CEI 68-2-20)

NOTE: Specifications listed above are for switches with standard options.
For information on specific and custom switches, consult Customer Service Center.

How To Order

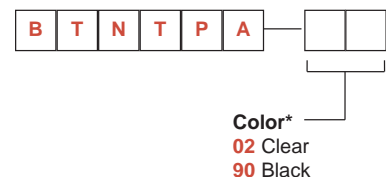
Our easy build-a-switch concept allows you to mix and match options to create the switch you need. To order, select desired option from each category and place it in the appropriate box.

Switch



Button

Buttons ordered separately in bulk, 500 pieces.

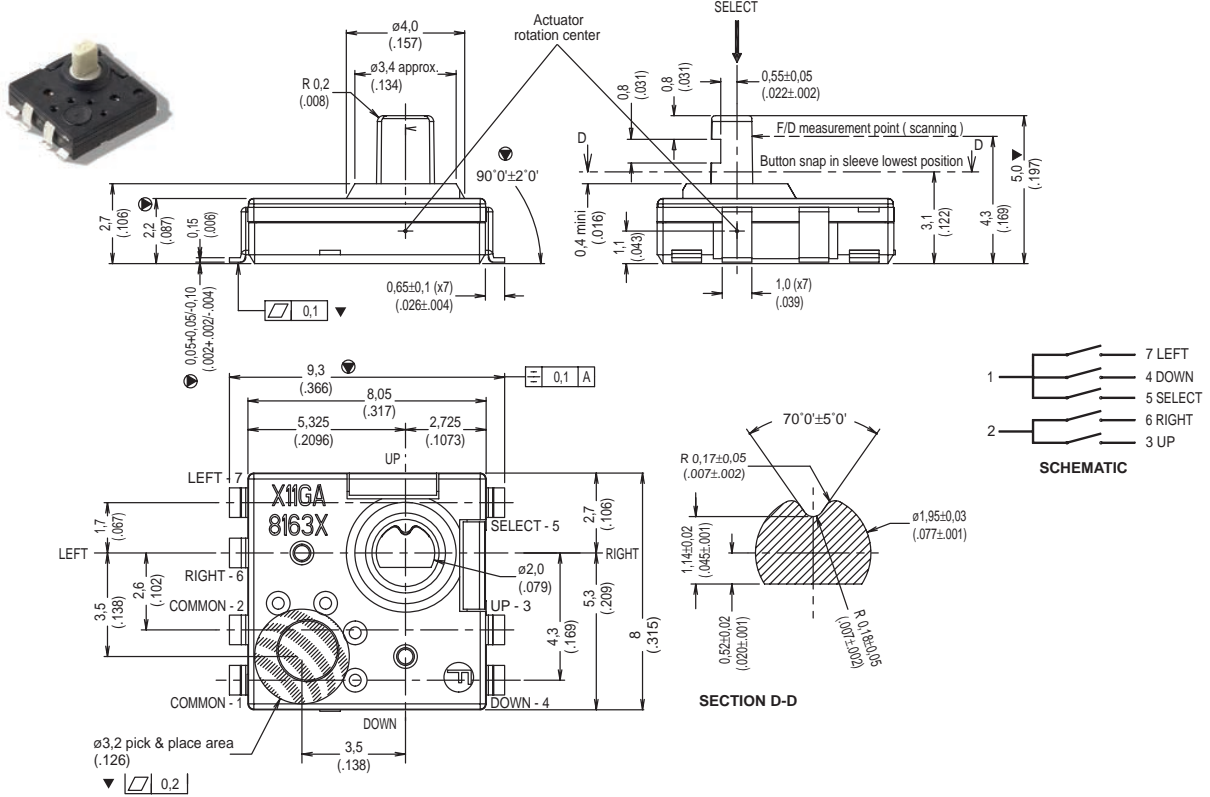


* Other colors by request

TPA Series Navigation Tact Switch for SMT

SERIES

TPA



NAVIGATION SELECT

OPTION CODE	ARRANGEMENT
3	Scanning 2 directions with selection
4	Scanning 4 directions without selection
5	Scanning 4 directions with selection

ACTUATION FORCE

1 1.8 N SCANNING, 4 N SELECTION

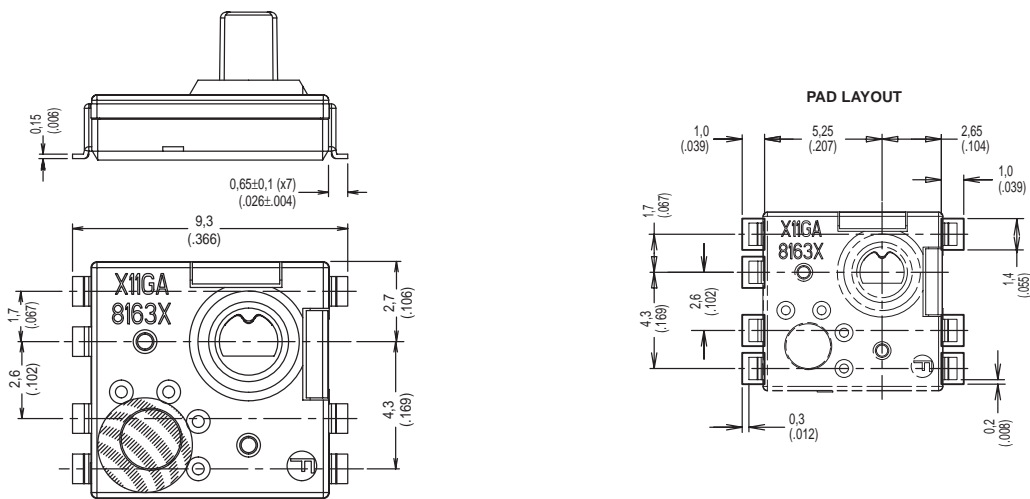
CONTACT MATERIAL

OPTION CODE	MATERIAL
1	SILVER
3	GOLD

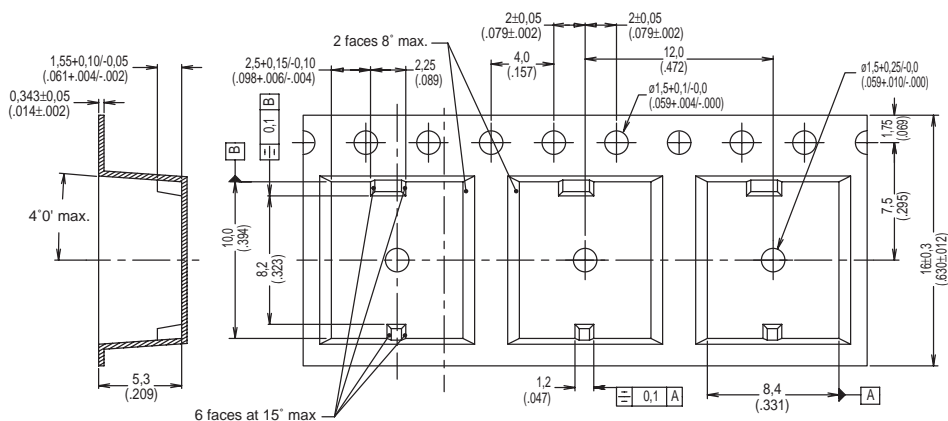
TPA Series Navigation Tact Switch for SMT

TERMINATION

G GULLWING



TAPE & REEL



BUTTON AVAILABLE

BTNTPA 02 (Clear)

BTNTPA 90 (Black)

