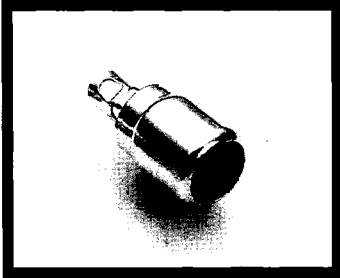


SHOGYO PHONO JACK CONNECTOR

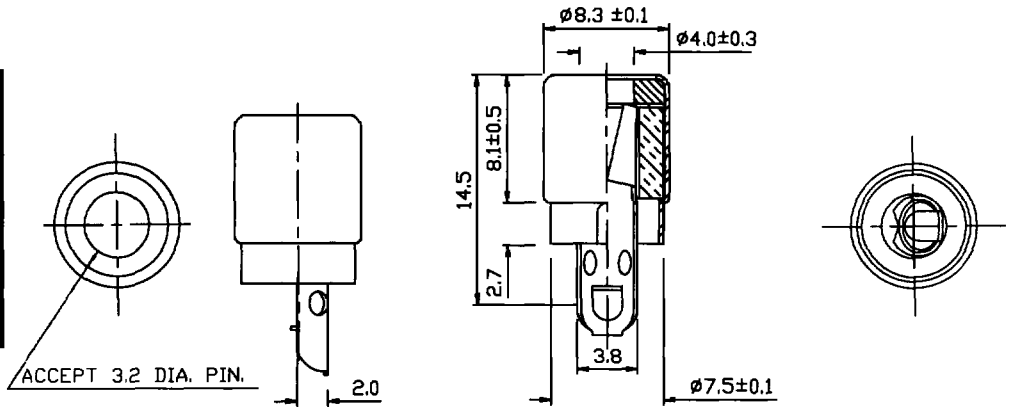
UNIT: MM

STRAIGHT ; SOLDER, MOLDING TYPE

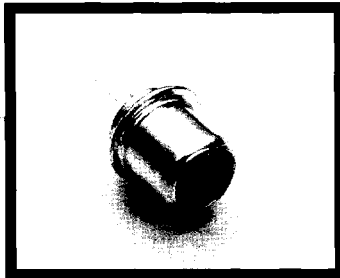
SX-001



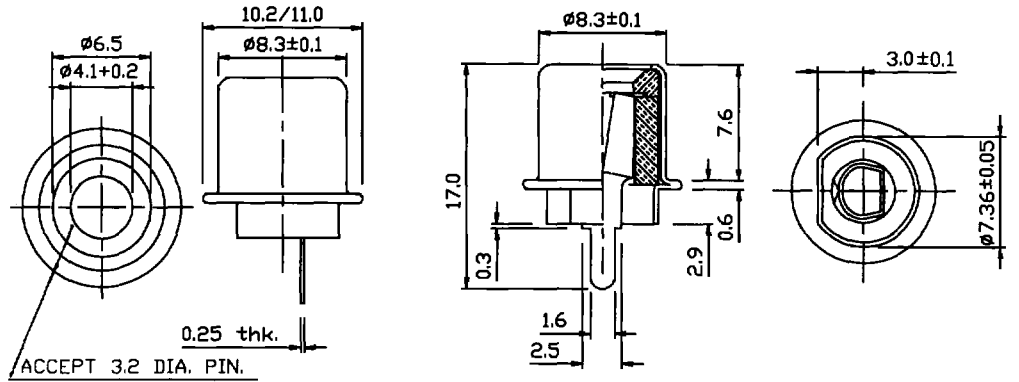
STRAIGHT SOLDER JACK



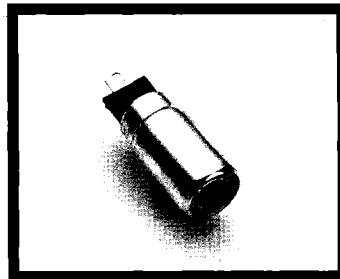
SX-088B



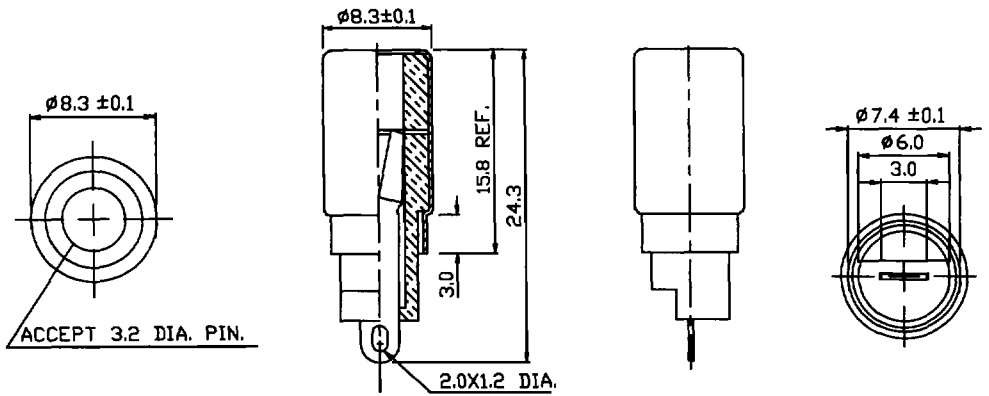
STRAIGHT SOLDER JACK



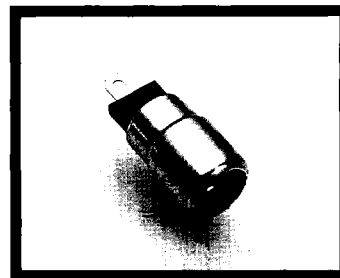
SX-017-2A



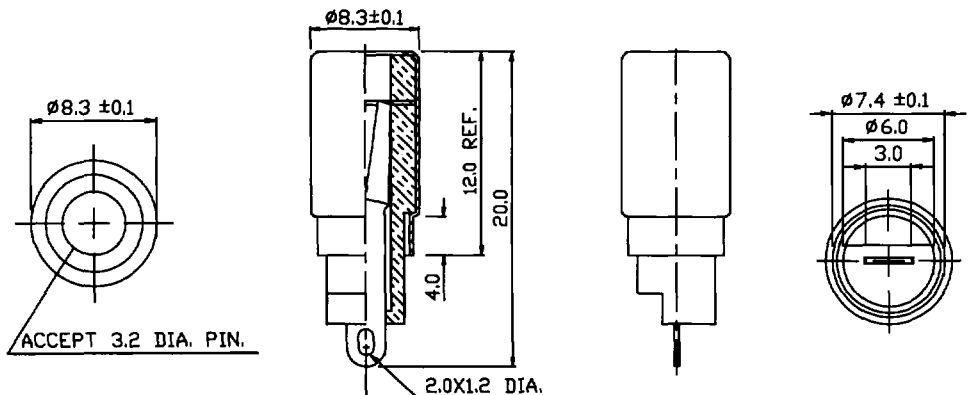
STRAIGHT MOLDING JACK



SX-017-03



STRAIGHT MOLDING JACK

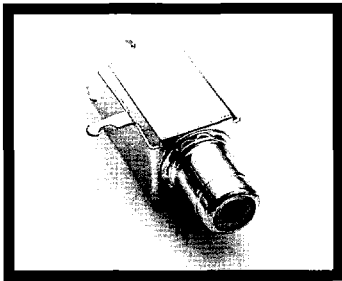


SHOGYO PHONO JACK CONNECTOR

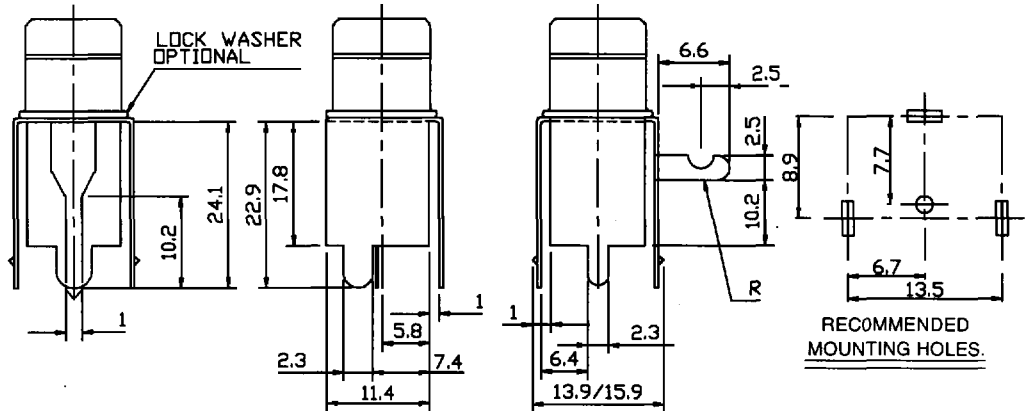
UNIT: MM

STRAIGHT ; PRINTED CIRCUIT BOARD TYPE

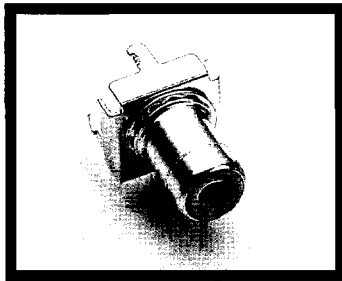
SX-229



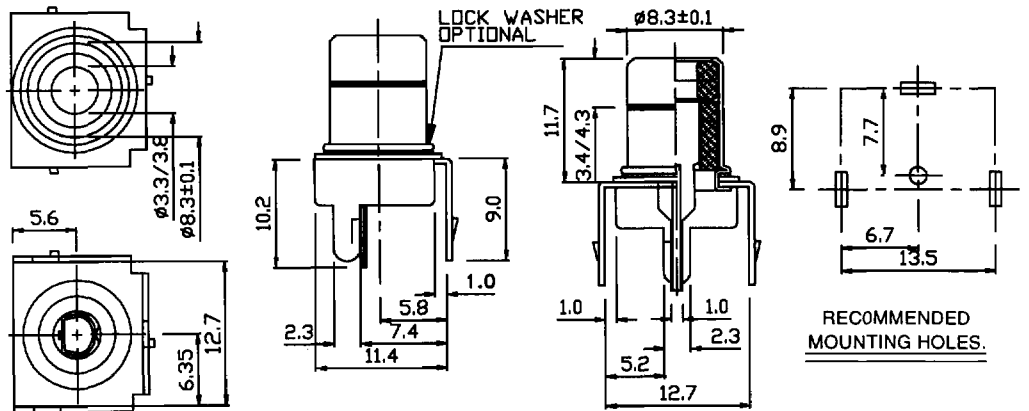
STRAIGHT PCB MOUNT JACK



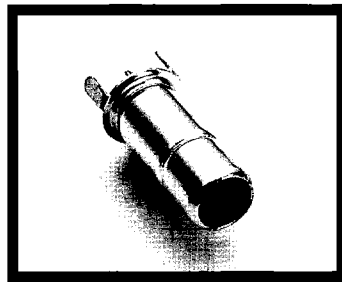
SX-229-01



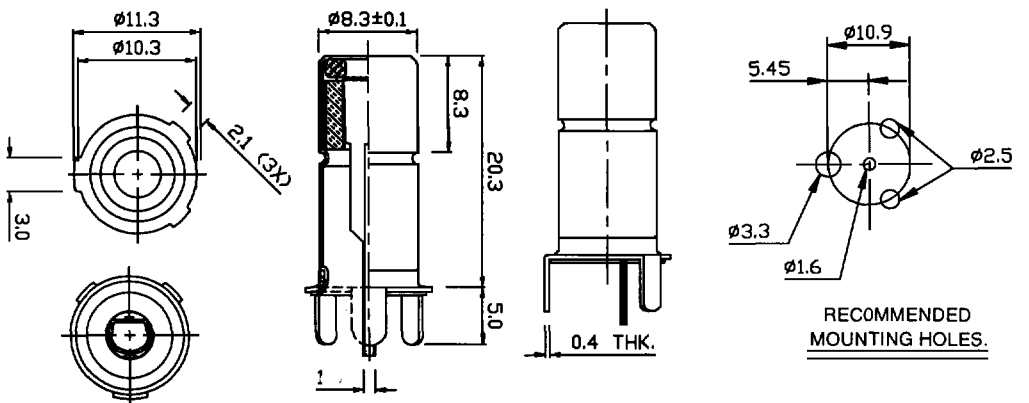
STRAIGHT PCB MOUNT JACK



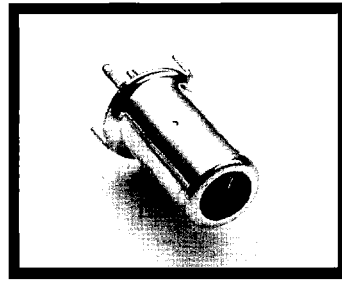
SX-196



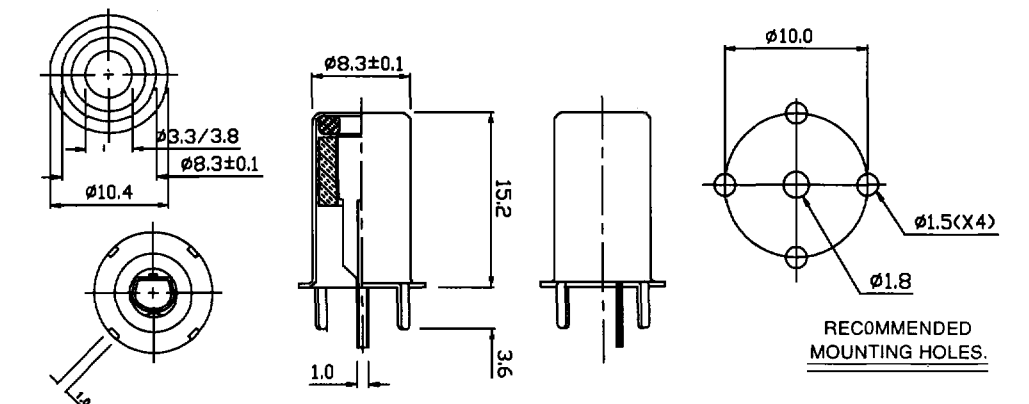
STRAIGHT PCB MOUNT JACK



SX-196A



STRAIGHT PCB MOUNT JACK

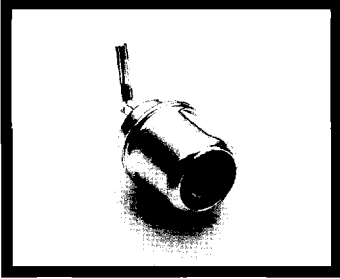


SHOGYO PHONO JACK CONNECTOR

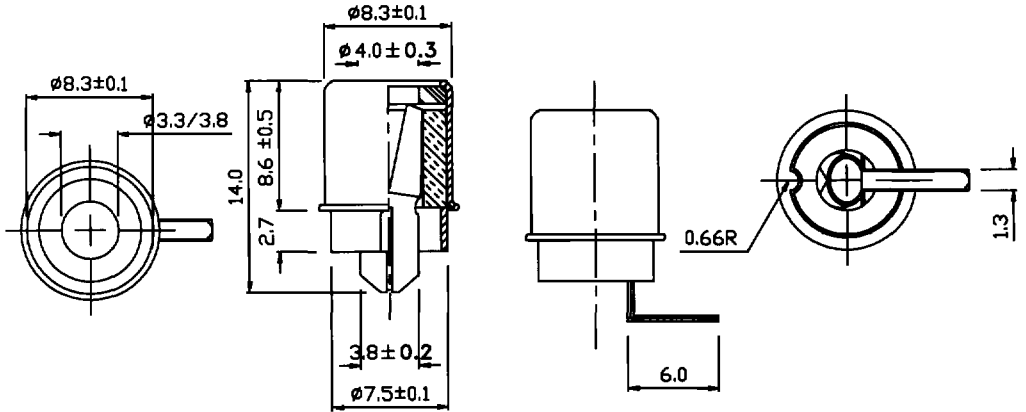
UNIT: MM

RIGHT ANGLE ; SOLDER, PRINTED CIRCUIT BOARD TYPE

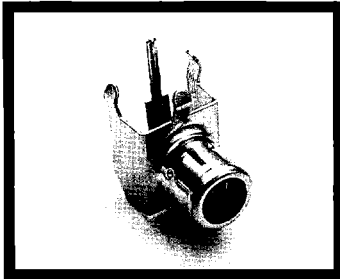
SX-132B-3



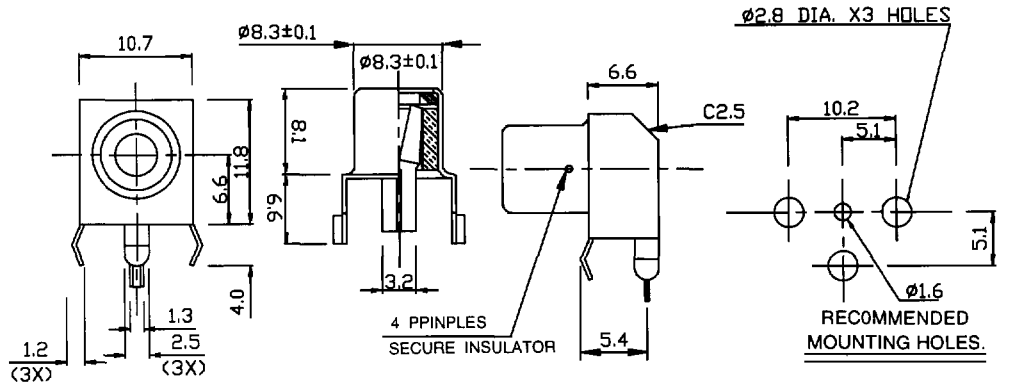
RIGHT ANGLE SOLDER JACK



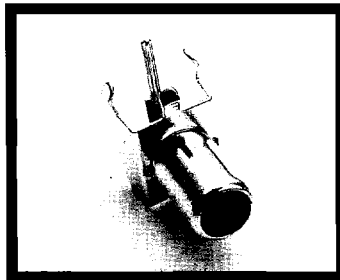
SX-021



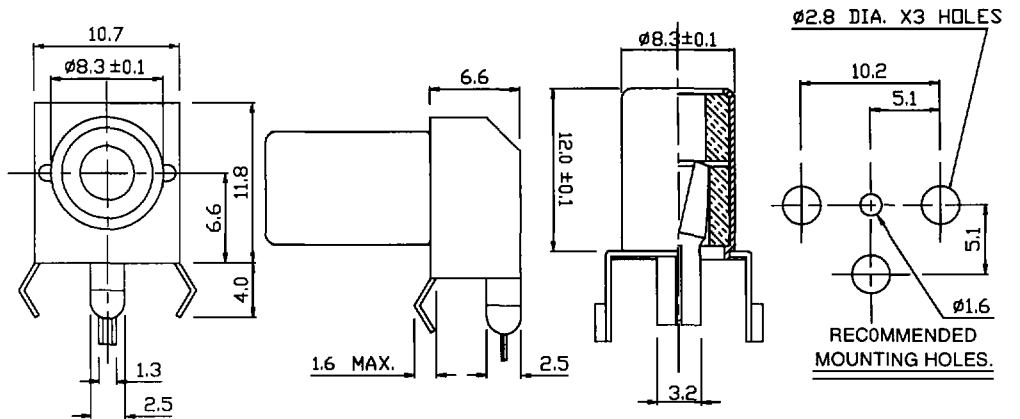
RIGHT ANGLE PCB MOUNT JACK



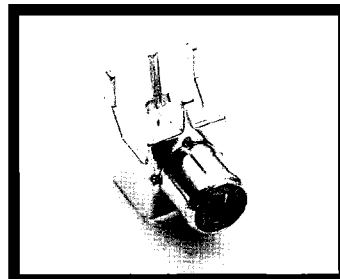
SX-151G



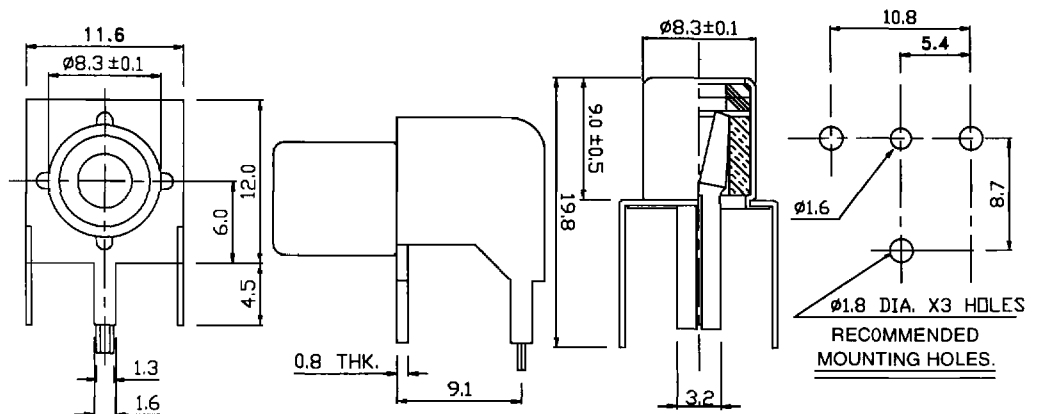
RIGHT ANGLE PCB MOUNT JACK



SX-107B



RIGHT ANGLE PCB MOUNT JACK



SHOGYO PHONO JACK CONNECTOR

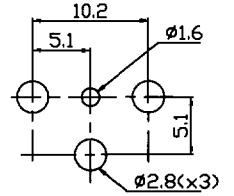
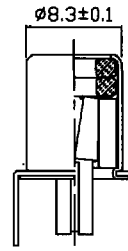
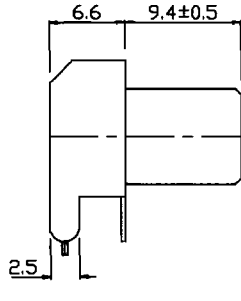
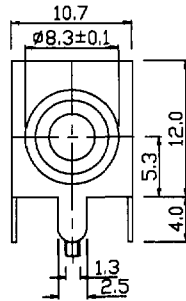
UNIT: MM

RIGHT ANGLE ; PRINTED CIRCUIT BOARD TYPE

SX-008A

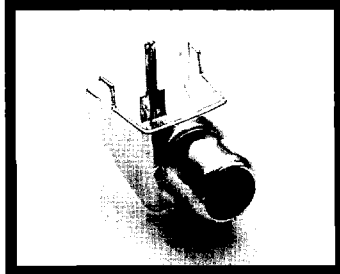


RIGHT ANGLE PCB MOUNT JACK

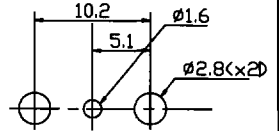
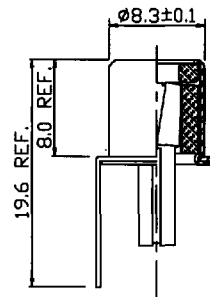
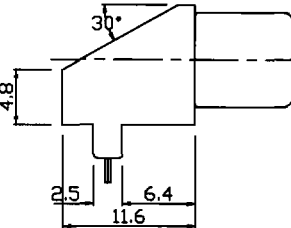
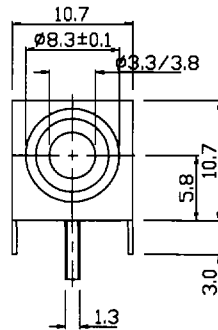


RECOMMENDED MOUNTING HOLES.

SX-016E-1

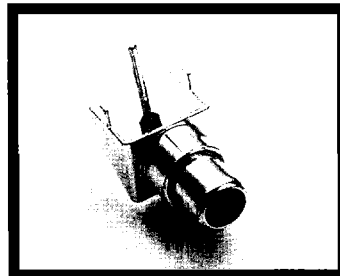


RIGHT ANGLE PCB MOUNT JACK

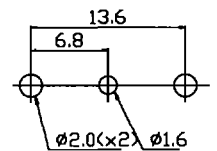
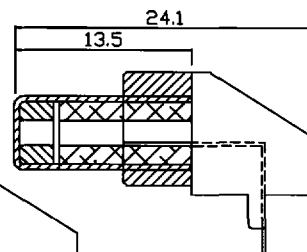
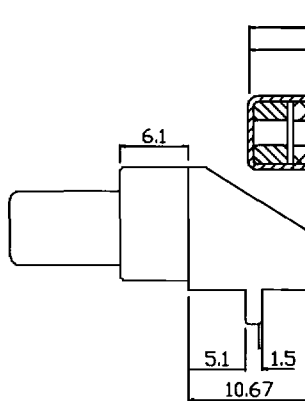
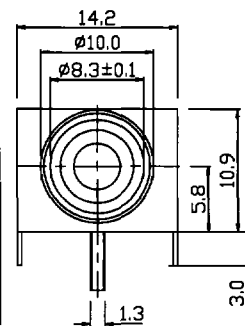


RECOMMENDED MOUNTING HOLES.

SX-016F-4A

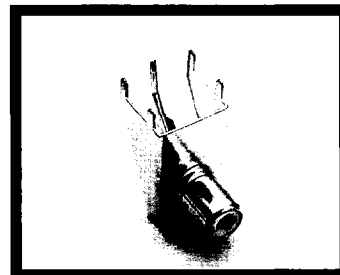


RIGHT ANGLE PCB MOUNT JACK

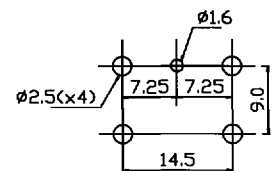
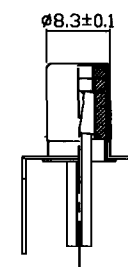
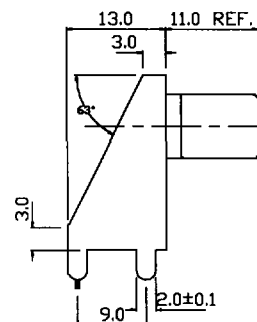
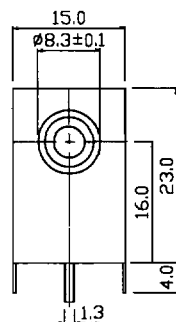


RECOMMENDED MOUNTING HOLES.

SX-016H



RIGHT ANGLE PCB MOUNT JACK



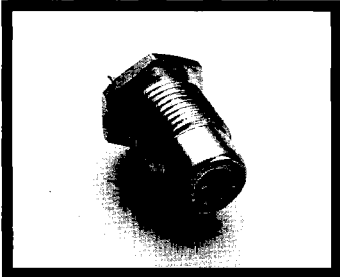
RECOMMENDED MOUNTING HOLES.

SHOGYO PHONO JACK CONNECTOR

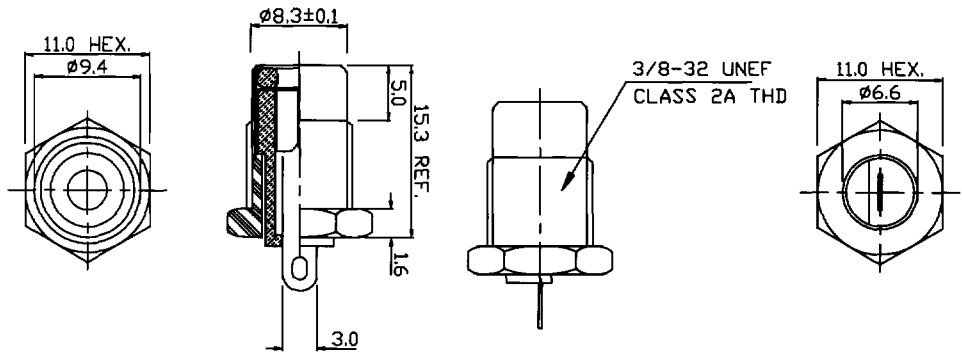
UNIT: MM

STRAIGHT, RIGHT ANGLE ; CHASSIS SCREW, PRINTED CIRCUIT BOARD TYPE

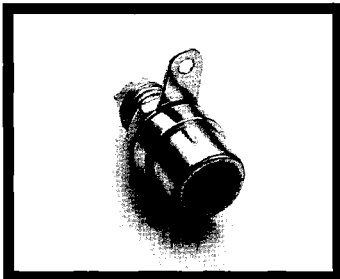
SX-150-02B



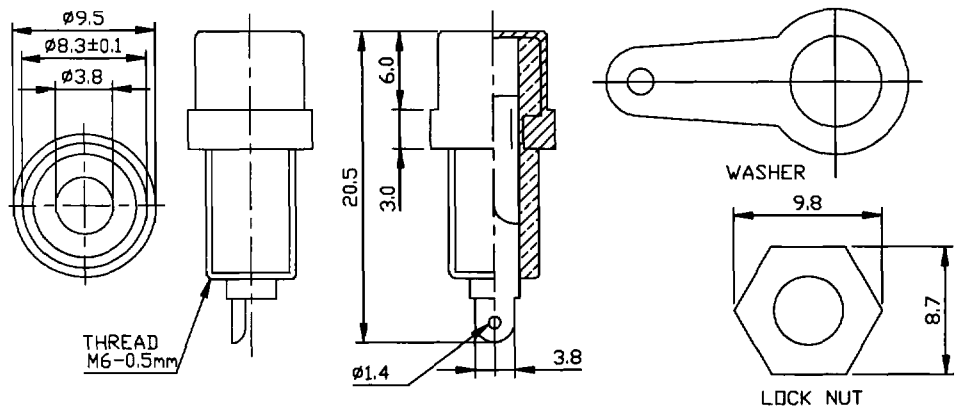
STRAIGHT CHASSIS SCREW JACK



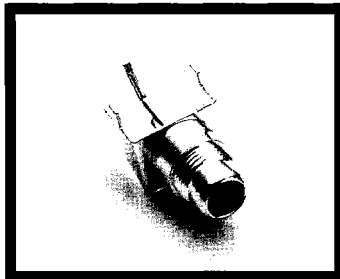
SX-150-04



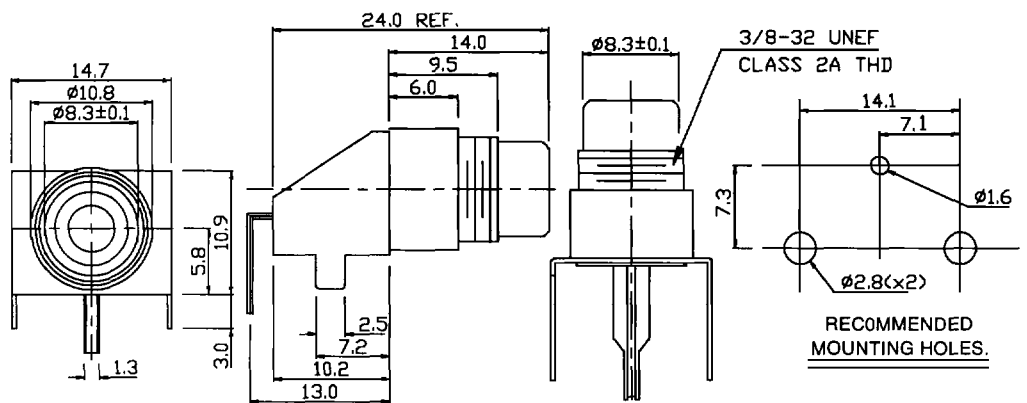
STRAIGHT CHASSIS SCREW JACK



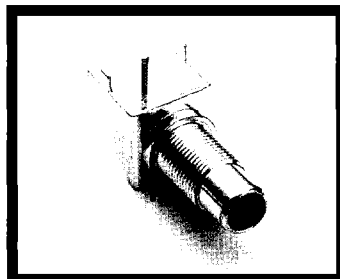
SX-016G



RIGHT ANGLE PCB MOUNT SCREW JACK



SX-016G-2



RIGHT ANGLE PCB MOUNT SCREW JACK

