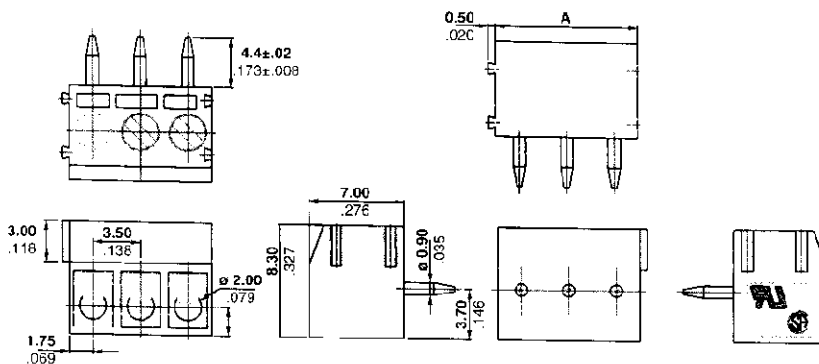


PCB MOUNT, STRAIGHT, TOP WIRE ENTRY CONNECTORS

Eurostyle

**Terminal Block PCB Mount
Top Wire Entry
w/Interlock
3.5 mm Pitch (LT)
Color – Blue**

**UL Rating – 250 V, 7 A
18-26 AWG**



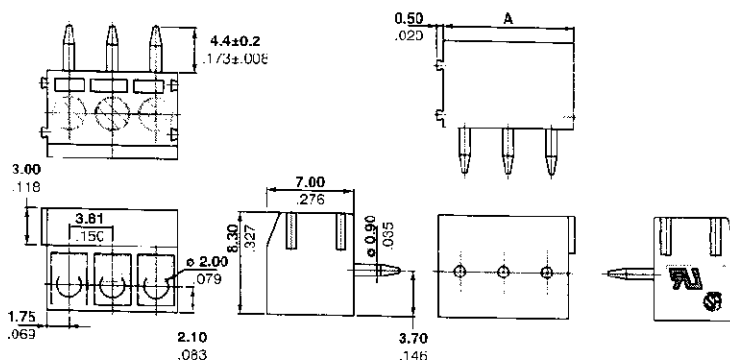
**Suggested Screw Torque—
2.5 in.-lbs.**

No. of Positions	Dim. A	Part Numbers
2	7.0 [0.276]	796417-2
3	10.5 [0.413]	796417-3
4	14.0 [0.551]	796417-4
5	17.5 [0.689]	796417-5
6	21.0 [0.827]	796417-6
7	24.5 [0.965]	796417-7
8	28.0 [1.102]	796417-8
9	31.5 [1.240]	796417-9
10	35.0 [1.378]	1-796417-0
11	38.5 [1.516]	1-796417-1
12	42.0 [1.654]	1-796417-2
13	45.5 [1.791]	1-796417-3

No. of Positions	Dim. A	Part Numbers
14	49.0 [1.929]	1-796417-4
15	52.5 [2.067]	1-796417-5
16	56.0 [2.205]	1-796417-6
17	59.5 [2.343]	1-796417-7
18	63.0 [2.480]	1-796417-8
19	66.5 [2.618]	1-796417-9
20	70.0 [2.756]	2-796417-0
21	73.5 [2.894]	2-796417-1
22	77.0 [3.031]	2-796417-2
23	80.5 [3.169]	2-796417-3
24	84.0 [3.307]	2-796417-4

**Terminal Block PCB Mount
Top Wire Entry
w/Interlock
3.81 mm Pitch (LT)
Color – Blue**

**UL Rating – 250 V, 7 A
18-26 AWG**



**Suggested Screw Torque—
2.5 in.-lbs**

No. of Positions	Dim. A	Part Numbers
2	7.62 [0.300]	796418-2
3	11.43 [0.450]	796418-3
4	15.24 [0.600]	796418-4
5	19.05 [0.750]	796418-5
6	22.86 [0.900]	796418-6
7	26.67 [1.050]	796418-7
8	30.48 [1.200]	796418-8
9	34.29 [1.350]	796418-9
10	38.10 [1.500]	1-796418-0
11	41.91 [1.650]	1-796418-1
12	45.72 [1.800]	1-796418-2
13	49.53 [1.950]	1-796418-3

No. of Positions	Dim. A	Part Numbers
14	53.34 [2.100]	1-796418-4
15	57.15 [2.250]	1-796418-5
16	60.96 [2.400]	1-796418-6
17	64.77 [2.550]	1-796418-7
18	68.58 [2.700]	1-796418-8
19	72.39 [2.850]	1-796418-9
20	76.20 [3.000]	2-796418-0
21	80.01 [3.150]	2-796418-1
22	83.82 [3.300]	2-796418-2
23	87.63 [3.450]	2-796418-3
24	91.44 [3.600]	2-796418-4