

CURRENT TRANSFORMER

Model 785

Window Diameter 6.50"

APPLICATION:
Relaying and metering.

FREQUENCY:
50–400 Hz.

INSULATION LEVEL:
0.6 kV, BIL 10 kV full wave.

CONTINUOUS THERMAL CURRENT RATING FACTOR:

50:5–1200:5 {2.0 at 30°C ambient.
and 2000:5 {1.5 at 55°C ambient.

1500:5–1600:5 {1.5 at 30°C ambient.
and 2500:5 {1.33 at 55°C ambient.

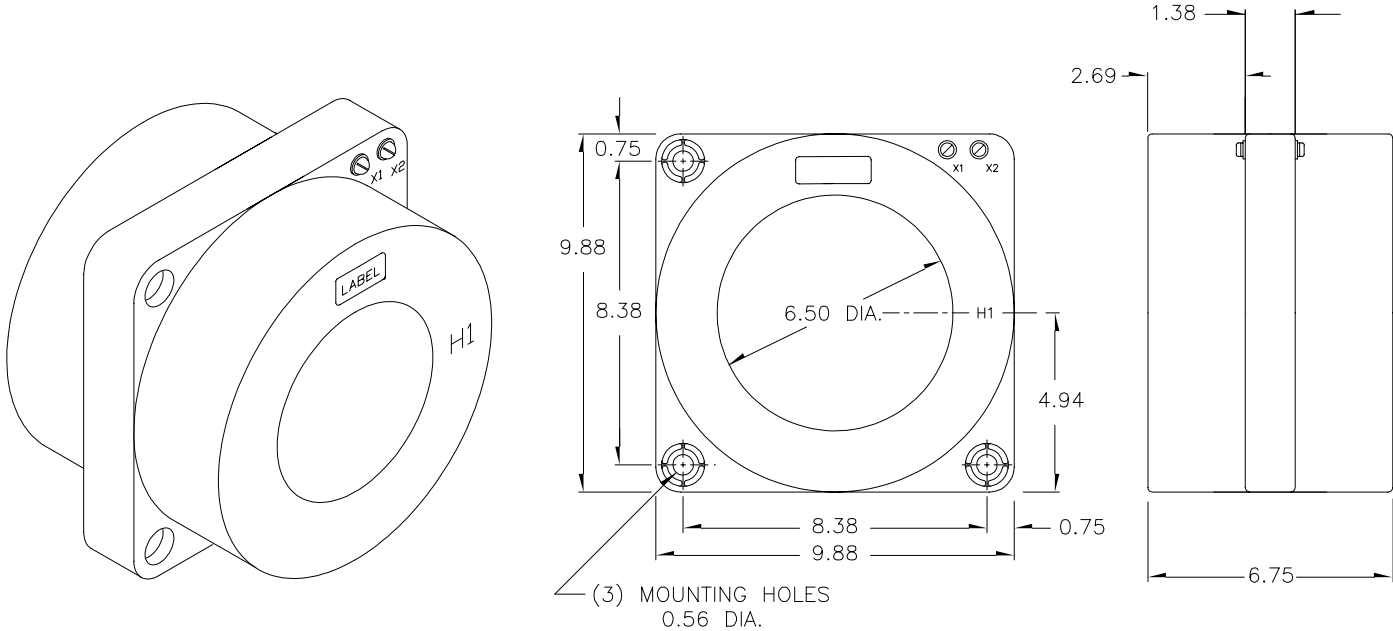
3000:5–4000:5 {1.33 at 30°C ambient.
{1.0 at 55°C ambient.

REGULATORY AGENCY APPROVALS



Manufactured to meet the requirements of ANSI/IEEE C57.13.
Classified by U.L. in accordance with IEC 44–1.
Approved for revenue metering by Industry Canada. AE–0657(*)

- Secondary terminals are brass screws No. 10–32 with one flatwasher and lockwasher, accessible from either side.
- Approximate weight 58 lbs.



CATALOG NUMBER	CURRENT RATIO	RELAY CLASS	ANSI METERING CLASS AT 60 Hz				
			B0.1	B0.2	B0.5	B0.9	B1.8
785–500	50:5	C 10	2.4	4.8	–	–	–
785–750	75:5	C 20	1.2	1.2	2.4	–	–
785–101	100:5 *	C 20	0.6	1.2	2.4	–	–
785–151	150:5 *	C 50	0.6	0.6	1.2	2.4	–
785–201	200:5 *	C 50	0.3	0.3	0.6	1.2	2.4
785–251	250:5 *	C 50	0.3	0.3	0.6	1.2	2.4
785–301	300:5 *	C100	0.3	0.3	0.3	0.6	1.2
785–401	400:5 *	C100	0.3	0.3	0.3	0.6	1.2
785–501	500:5 *	C100	0.3	0.3	0.3	0.3	0.6
785–601	600:5 *	C200	0.3	0.3	0.3	0.3	0.6
785–751	750:5 *	C200	0.3	0.3	0.3	0.3	0.3
785–801	800:5 *	C200	0.3	0.3	0.3	0.3	0.3
785–102	1000:5 *	C200	0.3	0.3	0.3	0.3	0.3
785–122	1200:5 *	C400	0.3	0.3	0.3	0.3	0.3
785–152	1500:5 *	C400	0.3	0.3	0.3	0.3	0.3
785–162	1600:5 *	C400	0.3	0.3	0.3	0.3	0.3
785–202	2000:5 *	C400	0.3	0.3	0.3	0.3	0.3
785–252	2500:5 *	C400	0.3	0.3	0.3	0.3	0.3
785–302	3000:5 *	C400	0.3	0.3	0.3	0.3	0.3
785–402	4000:5 *	C400	0.3	0.3	0.3	0.3	0.3

TYPICAL EXCITATION CURVE - MODEL 785

